

> Specification sheet

Our energy working for you.™



Description

The B3.9 has all the strength and reliability the genset industry has come to expect from the B Series range. The B3.9 features direct fuel injection, resulting in cleaner quieter and more fuel efficient performance.



This engine has been built to comply with CE certification.



This engine has been designed in facilities certified to ISO9001 and manufactured in facilities certified to ISO9001 or ISO9002.

Features

Coolpac Integrated Design - Supplied with cooling package and air cleaner kit for a complete power package.

Single Poly Vee belt drive for fan, alternator and water pump, with self-tensioning idler for minimum maintenance.

Stanadyne DB4 injection pump features advance mechanism for reliable cold starting.

Spin-on fuel filter and full-flow lubricating oil filter.

Top mounted Holset HX30 turbocharger for increased power, fuel economy and lower smoke and noise levels.

Service and Support - G-Drive products are backed by an uncompromising level of technical support and after sales service, delivered through a world class service network..

1500 rpm (50 Hz) Ratings

Gross Engine Output			Net Engine Output			Typical Generator Set Output					
Standby	Prime	Base	Standby	Prime	Base	Standby (ESP)		Prime (PRP)		Base (COP)	
kWm/BHP			kWm/BHP			kWe	kVA	kWe	kVA	kWe	kVA
64/85	58/77	41/55	61/82	55/74	38/51	56	70	51	64	35	43

1800 rpm (60 Hz) Ratings

Gross Engine Output			Net Engine Output			Typical Generator Set Output					
Standby	Prime	Base	Standby	Prime	Base	Standby (ESP)		Prime (PRP)		Base (COP)	
kWm/BHP			kWm/BHP			kWe	kVA	kWe	kVA	kWe	kVA
74/99	67/90	48/64	70/94	63/85	44/60	60	75	55	69	40	50

General Engine Data

Type	4 cycle, in-line, Turbo Charged
Bore mm	102 mm (4.02 in.)
Stroke mm	120 mm (4.72 in.)
Displacement Litre	3.9 litre (293.3 in. ³)
Cylinder Block	Cast iron, 4 cylinder
Battery Charging Alternator	65 amps
Starting Voltage	12 volt, 65 Amp negative ground
Fuel System	Direct injection
Fuel Filter	Spin-on fuel filters with water separator
Lube Oil Filter Type(s)	Spin-on full flow filter
Lube Oil Capacity (l)	10.9
Flywheel Dimensions	3/11

Coolpac Performance Data

Cooling System Design	Jacket Water
Coolant Ratio	50% ethlene glycol; 50% water
Coolant Capacity (l)	14.0
Limiting Ambient Temp.**	51.0
Fan Power	0.6
Cooling system air flow (m ³ /s)**	1.9
Air Cleaner Type	Dry replaceable element with retriiction indicator

** @ 13 mm H₂O

Weights & Dimension

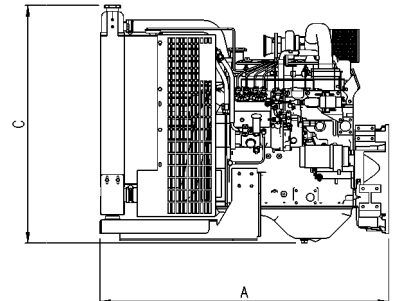
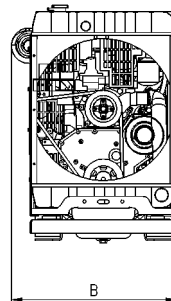
Length	Width	Height	Weight (dry)
mm	mm	mm	kg
1032	700	1078	345

Fuel Consumption 1500 (50 Hz)

%	kWm	BHP	L/ph	US gal/ph
Standby Power				
100	64	85	16	4.3
Prime Power				
100	58	77	15	3.9
75	48	64	11	2.9
50	32	43	8	2
25	15	12	4	1.2
Continuous Power				
100	41	55	11	2.8

Fuel Consumption 1800 (60 Hz)

%	kWm	BHP	L/ph	US gal/ph
Standby Power				
100	74	99	19	4.9
Prime Power				
100	67	90	17	4.5
75	56	75	13	3.4
50	36	49	10	2.5
25	18	25	6	1.5
Continuous Power				
100	48	64	13	3.5



Ratings Definitions

Emergency Standby Power (ESP):

Applicable for supplying power to varying electrical load for the duration of power interruption of a reliable utility source. Emergency Standby Power (ESP) is in accordance with ISO 8528. Fuel Stop power in accordance with ISO 3046, AS 2789, DIN 6271 and BS 5514.

Limited-Time Running Power (LTP):

Applicable for supplying power to a constant electrical load for limited hours. Limited-Time Running Power (LTP) is in accordance with ISO 8528.

Prime Power (PRP):

Applicable for supplying power to varying electrical load for unlimited hours. Prime Power (PRP) is in accordance with ISO 8528. Ten percent overload capability is available in accordance with ISO 3046, AS 2789, DIN 6271 and BS 5514.

Base Load (Continuous) Power (COP):

Applicable for supplying power continuously to a constant electrical load for unlimited hours. Continuous Power (COP) in accordance with ISO 8528, ISO 3046, AS 2789, DIN6271 and BS 5514.