



### TECHNICAL DATA

**Operating range:**

from 10 to 120 litres/min. with head up to 72 m.

**Liquid quality requirements:** clean, free from solid or abrasive contaminants, non-viscous, non-aggressive, uncrystallised and chemically neutral, close to the properties of water.

**Liquid temperature range:**

for domestic use: from 0°C to +35°C (EN 60335-2-41)

for other use: from 0°C to +40°C

**Maximum ambient temperature:** +40°C

**Maximum operating pressure:** 8 bar (800 kPa)

**Installation:** fixed or portable in a horizontal position.

**Motor protection rating:** IP 44

**Terminal block protection rating:** IP 55

**Insulation class:** F

**Standard input voltage:** single phase 220-240 V / 50 Hz - 2 poles  
three phase 230/400 V - 50 Hz - 2 poli

### APPLICATIONS

Multi-stage centrifugal pump with horizontal shaft, featuring extremely quiet operation suitable for domestic water supply and pressurisation, irrigation of gardens and general water movement.

### CONSTRUCTIONAL FEATURES OF THE PUMP

Pump body in 200 UNI ISO 185 cast iron. Motor support in die cast aluminium, with seal holder cover in AISI 304 stainless steel. Carbon/ceramic mechanical seal. Rotor shaft in AISI 304 stainless steel. Impeller and diffuser bodies and diffuser in technopolymer. Stainless steel wear ring.

### CONSTRUCTIONAL FEATURES OF THE MOTOR

Asynchronous, continuous service motor.

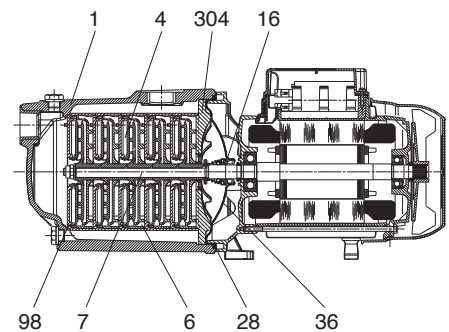
Incorporated thermo-amperometric protection and permanently inserted capacitor in the single phase version.

Overload protection to be provided by the user for the three-phase version.

## MATERIALS

N°	PARTS *	MATERIALS
1	PUMP BODY	200 UNI ISO 185 CAST IRON
4	IMPELLER	TECHNOPOLYMER
6	DIFFUSER	TECHNOPOLYMER
7	SHAFT WITH ROTOR	AISI 304 STAINLESS STEEL X5CrNi 1810 UNI 6900/71
16	MECHANICAL SEAL	CARBON/CERAMIC
28	OR GASKET	NBR
36	SEAL HOLDER COVER	AISI 304 STAINLESS STEEL X5CrNi 1810 UNI 6900/71
98	DIFFUSER BODY	TECHNOPOLYMER
304	REAR DISC	TECHNOPOLYMER

\* In contact with liquid



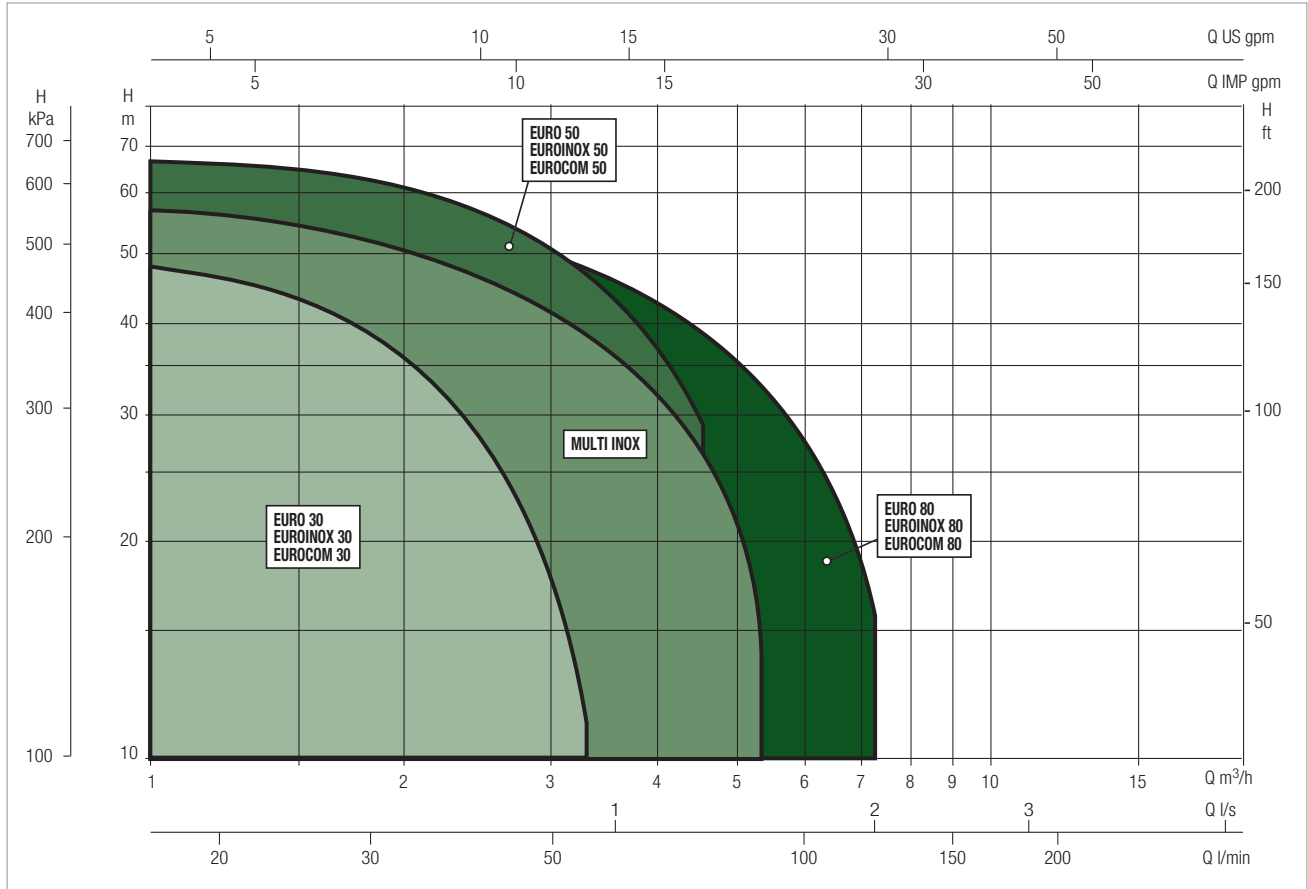
# EURO

## MULTISTAGE CENTRIFUGAL PUMPS

### PERFORMANCE RANGE

The performance curves are based on kinematic viscosity values = 1 mm<sup>2</sup>/s and density equivalent to 1000 kg/m<sup>3</sup>. Curve tolerance according to ISO 9906.

### GRAPHIC SELECTION TABLE

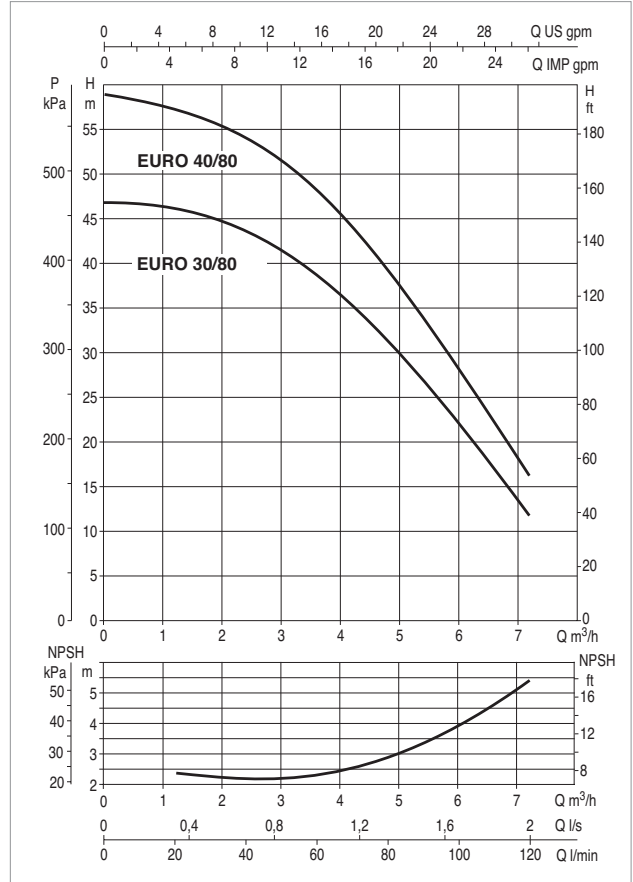
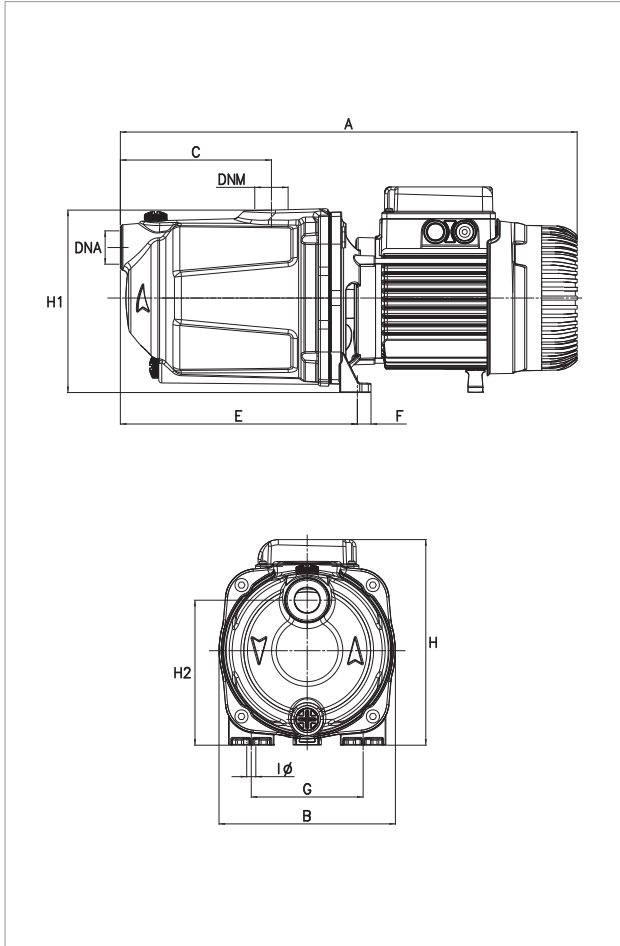


### EURO SELECTION TABLE

MODEL	Q=m <sup>3</sup> /h	0	0.6	1.2	1.8	2.4	3.0	3.6	4.2	4.8	6	7.2
	Q=l/min	0	10	20	30	40	50	60	70	80	100	120
EURO 25/30 M	H (m)	34.4	31.7	28.3	23.5	17.5	11					
EURO 30/30 M		46	42.2	37.8	31.2	23.3	14.3					
EURO 40/30 M		57	52.7	47	38.8	29	17.7					
EURO 30/50 M		42.5	40.2	38.2	36.2	33.8	30	24.8	19.5	14		
EURO 40/50 M		57.5	55.3	52.8	50.1	47.1	42.7	35.8	28	19		
EURO 40/50 T		57.5	55.3	52.8	50.1	47.1	42.7	35.8	28	19		
EURO 50/50 M		72	68.5	65.5	62.1	58.2	52.2	43.6	34.5	26		
EURO 50/50 T		72	68.5	65.5	62.1	58.2	52.2	43.6	34.5	26		
EURO 30/80 M		47		46.5	45	43.5	41	38	34.5	31	23	12
EURO 30/80 T		47		46.5	45	43.5	41	38	34.5	31	23	12
EURO 40/80 M		59		57	56	54	51	47	43.5	39	29.5	16.5
EURO 40/80 T		59		57	56	54	51	47	43.5	39	29.5	16.5

## EURO 80-SELF-PRIMING CENTRIFUGAL ELECTRIC PUMPS FOR DOMESTIC WATER SUPPLY

Liquid temperature range pumped: from 0 °C to +35 °C - Maximum ambient temperature: +40°C



The performance curves are based on the kinematic viscosity values = 1 mm²/s and density equivalent to 1000 kg/m³. Curve tolerance according to ISO 9906.

MODEL	N° IMPELLER	POWER SUPPLY 50 Hz	P1 MAX KW	ELECTRICAL DATA				
				P2 NOMINAL		In A	CAPACITOR	
				kW	HP		µF	Vc
EURO 30/80 M	4	1 x 220 - 240 V ~	1.2	0.8	1.1	5.3	25	450
EURO 30/80 T		3 x 230 - 400 V ~	1.18	0.8	1.1	3.8-2.2	-	-
EURO 40/80 M	5	1 x 220 - 240 V ~	1.48	1	1.36	6.3	25	450
EURO 40/80 T		3 x 230 - 400 V ~	1.44	1	1.36	4.4-2.5	-	-

MODEL	A	B	C	E	F	G	I Ø	H	H1	H2	DNA GAS	DNM GAS	PACK DIMENSIONS			VOLUME (mc)	GROSS WEIGHT Kg
													L/A	L/B	H		
EURO 30/80 M	452	175	149.5	235	13.5	111	9	204	179	143.5	1"	1"	440	212	265	0.031	15.6
EURO 30/80 T	468	175	149.5	235	13.5	111	9	204	179	143.5	1"	1"	560	240	227	0.031	18
EURO 40/80 M	452	175	149.5	235	13.5	111	9	204	179	143.5	1"	1"	480	212	265	0.031	16.3
EURO 40/80 T	468	175	149.5	235	13.5	111	9	204	179	143.5	1"	1"	560	240	227	0.031	18