

Data sheet for three-phase Squirrel-Cage-Motors



MLFB-Ordering data : 1LA7096-4AA10

Client order no. :
Order no. :
Offer no. :
Remarks :

Item no. :
Consignment no. :
Project :

Electrical data:

Rated voltage :	(1) 230 VD/400 VY, 50 Hz, 460 VY, 60 Hz					
Frequency :	50 Hz		60 Hz			
Rated power :	1.50 kW		1.75 kW			
Rated speed :	1420 1/ min		1720 1/ min			
Rated torque :	10.1 Nm		9.7 Nm			
Rated current (IE) :	VD	VY	VY			
	6.00 A	3.45 A	3.30 A			
Starting / rated current :	5.3		5.6			
Breakdown / rated torque :	2.6		2.6			
Starting / rated torque :	2.4		2.4			
Efficiency %	4/4	3/4	2/4	4/4	3/4	2/4
	77.2%	77.7%	74.2%	81.5%	81.5%	80.5%
Power factor :	0.81	0.76	0.66	0.82	0.77	0.67
Efficiency class :	IE1		IE1			

Mechanical data:

Sound pressure level 50Hz/60Hz (load) :	48 dB(A)	52 dB(A)
Moment of inertia :	0.0033 kg*m ²	
Bearing DE :	6205 2ZC3	
Bearing NDE :	6004 2ZC3	
Type of bearing :	Floating bearings pre-loaded DE (standard)	
Condensate drainage holes :	No	
Regreasing device :	No	
Lubricants :	Esso Unirex N3	
Grease lifetime/Relubrication interval :	40000 h	
Quantity of grease for relubrication :	null g	
External earthing terminal :	No	
Coating :	Special paint finish RAL 7030 stone gray	

Environmental conditions:

Ambient temperature :	-20 °C - +40 °C
Altitude above sea level :	1000 m
Standards and specifications :	IEC, DIN, ISO, VDE, EN

General data:

Frame size	090 L
Design of electrical machine :	(0) IM B3 / B6 / B7 / B8 / V5 without canopy
Weight in kg, without optional accessories :	15.60 kg
Frame material :	Aluminum
Degree of protection :	IP 55
Method of cooling, TEFC :	IC 411
Vibration class :	A (Standard)
Insulation :	155(F) to 130(B)
Duty type :	S1 - continuous duty
Direction of rotation :	Bi-directional

Terminal box:

Material of terminal box :	
Type of terminal box :	gk 030
Contact screw thread :	
Max. cross-sectional area :	
Cable diameter from ... to ... :	
Cable entry :	
Cable gland :	

Special design:

Tel: 48 0000 49 (60 Lines)

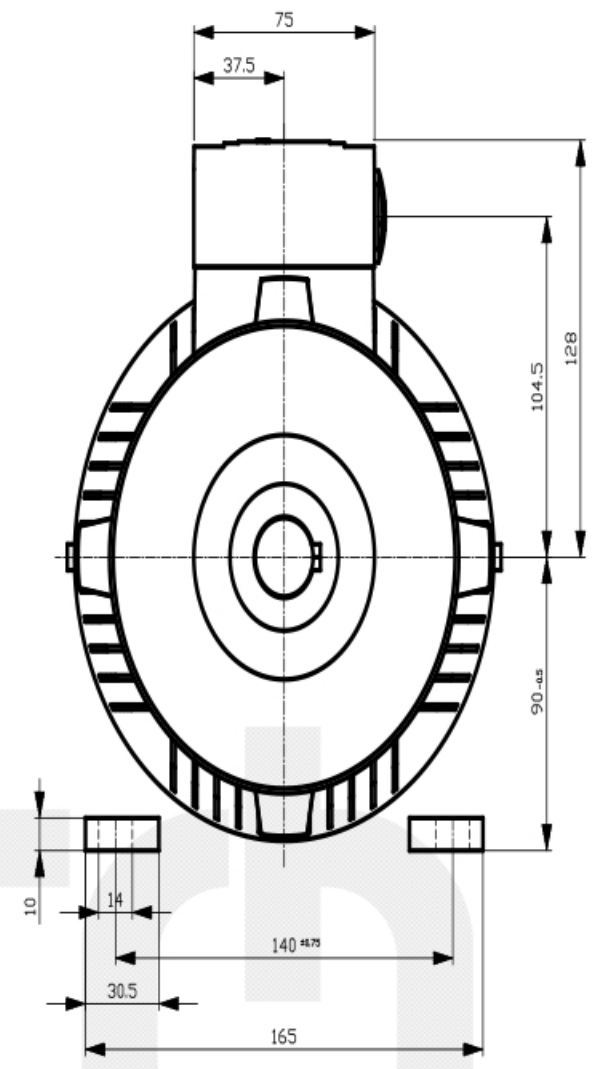
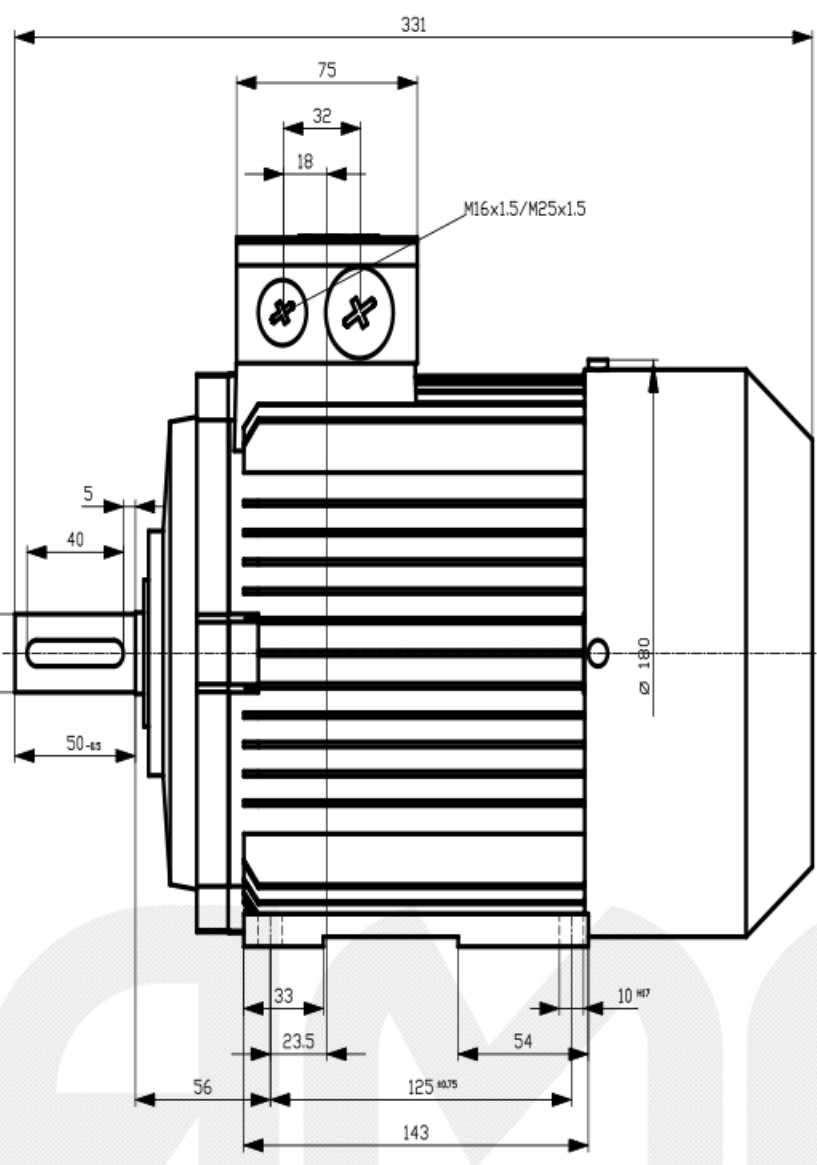
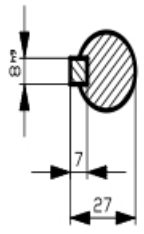
Tous droits réservés. Toute réimpression, reproduction, diffusion, dissémination et/ou édition de ce document, ainsi que l'utilisation de son contenu et la communication de son contenu à d'autres personnes sans l'autorisation écrite de Siemens AG sont formellement interdites. Toute utilisation non autorisée sans le consentement écrit de Siemens AG est formellement interdite.

Transmittal, reproduction, dissemination and/or editing of this document as well as utilization of its contents and communication thereof to others without express authorization are prohibited. Offenders will be held liable for any damages caused by their actions. Any consent or registration of a utility model or design patent are reserved.

Weitergabe sowie Vervielfältigung, Verbreitung, und/oder Bearbeitung dieses Dokumentes, Verwertung und Mitteilung seines Inhaltes sind verboten, soweit nicht ausdrücklich gestattet. Zuwiderhandlungen verpflichten zu Schadenersatz. Alle Rechte vorbehalten.

Confidencial como secreto de empresa. Reservados todos los derechos. No se permite la explotación económica ni la transformación de esta obra. Queda permitida la impresión en su totalidad.

Tel: 48 0000 49 (60 Lines)



Tolerance	Surface	Material	Weight	Scale
1LA7096-4AA10	Author	Dimensional drawing		
	Creator	Maßzeichnung		
	Approval	DTK		
	Department			
	Change Order	MJFB	Doc Type	
	Doc State	1/22/19	Item No	Paper Size A3
	Revision	Inden IS	Doc No	1st Language en 2nd Language de
© Siemens AG 2016	Project No	-	Ref No	Sheet 1 of 1