

## Wilo-Yonos MAXO



**Table of contents**

<b>Wilo-Yonos MAXO</b>	<b>3</b>
Yonos MAXO 25/0,5-7 PN 10	7
Yonos MAXO 25/0,5-10 PN 10	14
Yonos MAXO 25/0,5-12 PN 10	21
Yonos MAXO 30/0,5-7 PN 10	28
Yonos MAXO 30/0,5-10 PN 10	35
Yonos MAXO 30/0,5-12 PN 10	42
Yonos MAXO 32/0,5-10 PN6/10	49
Yonos MAXO 32/0,5-11 PN6/10	56
Yonos MAXO 40/0,5-4 PN 6/10	63
Yonos MAXO 40/0,5-8 PN 6/10	70
Yonos MAXO 40/0,5-12 PN 6/10	77
Yonos MAXO 40/0,5-16 PN 6/10	84
Yonos MAXO 50/0,5-8 PN 6/10	91
Yonos MAXO 50/0,5-9 PN 6/10	98
Yonos MAXO 50/0,5-12 PN 6/10	105
Yonos MAXO 50/0,5-16 PN 6/10	112
Yonos MAXO 65/0,5-9 PN 6/10	119
Yonos MAXO 65/0,5-12 PN 6/10	126
Yonos MAXO 65/0,5-16 PN 6/10	133
Yonos MAXO 80/0,5-6 PN 6	140
Yonos MAXO 80/0,5-6 PN 10	147
Yonos MAXO 80/0,5-12 PN 6	154
Yonos MAXO 80/0,5-12 PN 10	161
Yonos MAXO 100/0,5-12 PN 6	168
Yonos MAXO 100/0,5-12 PN 10	175



### The compact standard pump for commercial buildings.

The high-efficiency pump Wilo-Yonos MAXO is the compact standard pump for commercial buildings with HVAC applications. Thanks to its basic settings and functions with three operating modes and the green button it is very easy to set up and easy to use. With the Wilo-Connect module the pump is expandable with further intelligent functions.

#### Recommended services



Wilo-Live Assistant System Optimisation



Energy Solutions

#### Your advantages

- > LED display provides complete transparency of set delivery head, speed stage or possible errors
- > Simple adjustment over three speed stages when replacing an uncontrolled standard pump
- > Easier electrical connection using the Wilo plug
- > System availability ensured via collective fault signal
- > Compact design and proven ease of use



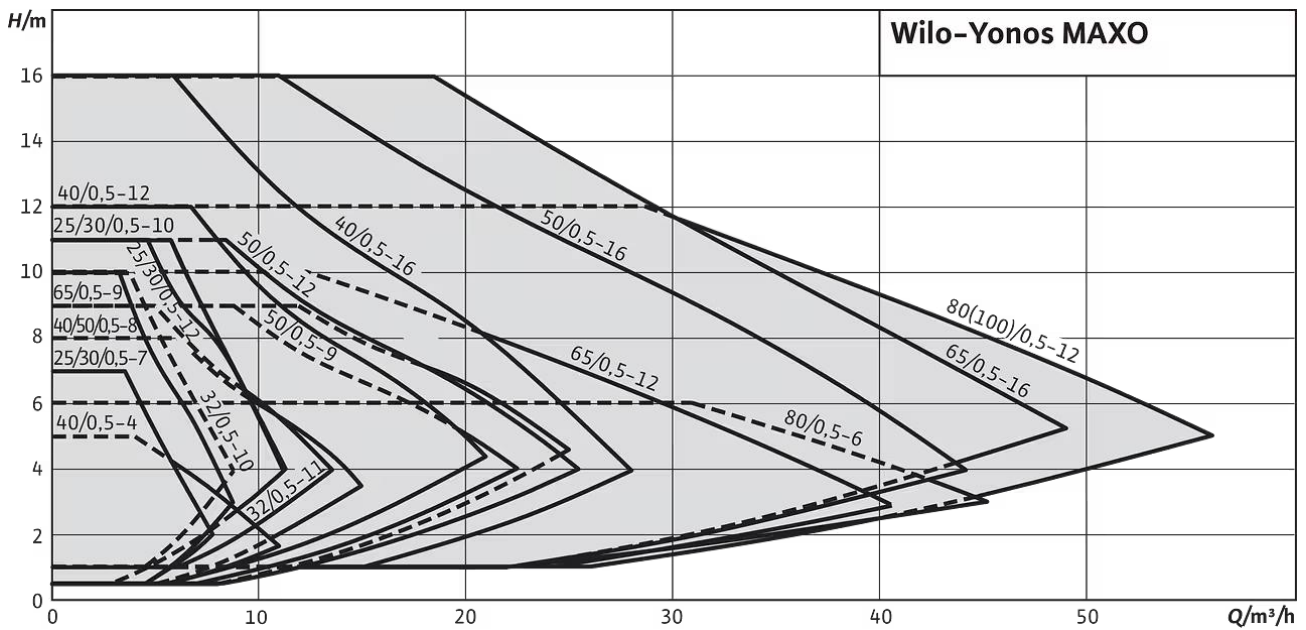
#### Product features

- 1 Hydraulics with cathaphoretic coating
- 2 Threaded and flanged version
- 3 LED display
- 4 Green button for pump setting
- 5 Collective fault signal (SSM)
- 6 Compact design
- 7 Electrical connection with Wilo plug



### Product features

- 1 Only one screw for installation
- 2 Six threaded cable glands, position freely selectable
- 3 External OFF
- 4 Dual pump management
- 5 LED-status display
- 6 Collective run signal (SBM)



### Design

Glandless circulator with threaded connection or flange connection, EC motor with automatic power adjustment.

### Application

Hot-water heating systems of all kinds, air-conditioning systems, closed cooling circuits, industrial circulation systems.

### Equipment/function

#### Operating modes

- >  $\Delta p$ -c for constant differential pressure
- >  $\Delta p$ -v for variable differential pressure
- > n = constant (3 speed stages)

#### Manual functions

- > Setting the operating mode
- > Setting of pump output (delivery head)
- > Setting the speed stages

**Automatic functions**

- > Infinitely variable power adjustment according to the operating mode
- > Deblocking function
- > Soft start
- > Integrated full motor protection

**Signal and display functions**

- > Collective fault signal (potential-free NC contact)
- > Fault signal light
- > LED segment display for displaying the delivery head and fault codes
- > Display of the configured speed stage (C1, C2 or C3)

**Equipment**

- > Wrench attachment point on pump body (for threaded pipe union pumps)
- > Quick electrical connection with Wilo plug. For the connection of the mains and SSM lines, with integrated strain relief
- > For flange-end pumps: Flange versions
  - > Standard version for DN 40 to DN 65 pumps: PN 6/10 combination flange (PN 16 flange according to EN 1092-2) for PN 6 and PN 16 counter flanges
  - > Standard version for DN 80/DN 100 pumps: PN 6 flange (designed for PN 16 according to EN 1092-2) for PN 6 counter flange

**Typekey**

- Example: **Wilco-Yonos MAXO 30/0.5-12**  
 High-efficiency pump (screw-end or flange-end pump), electronically controlled
- Yonos MAXO**
- 30/** Nominal connection diameter  
**0.5-12** Nominal delivery head range [m]

**Technical data**

- > Permissible temperature range of -20°C to +110°C
- > Mains connection 1~230 V, 50/60 Hz
- > Protection class IP X4D
- > Flange connection DN 32 to DN 80
- > Max. operating pressure of standard version: 6/10 bar or 6 bar (special version: 10 bar)

**Materials**

- > Pump housing: grey cast iron with cathaphoretic coating
- > Shaft: Stainless steel
- > Bearing: carbon, metal impregnated
- > Impeller: Plastic

**Scope of delivery**

- > Pump
- > Including gaskets for threaded connection
- > Including washers for flange screws (for nominal connection diameters DN 32 – DN 65)
- > Including installation and operating instructions

Product list

Product description	Pump connection	EEI	Port-to-port length <i>L0</i>	Maximum operating pressure <i>PN</i>	Mains connection	Gross weight, approx. <i>m</i>	Pieces per pallet	Article number
Yonos MAXO 25/0,5-7 PN 10	G 1½	0.20	180 mm	10 bar	1-230 V, 50/60 Hz	5.8 kg	48	2120639
Yonos MAXO 25/0,5-10 PN 10	G 1½	0.20	180 mm	10 bar	1-230 V, 50/60 Hz	5.8 kg	48	2120640
Yonos MAXO 25/0,5-12 PN 10	G 1½	0.20	180 mm	10 bar	1-230 V, 50/60 Hz	6.9 kg	32	2120641
Yonos MAXO 30/0,5-7 PN 10	G 2	0.20	180 mm	10 bar	1-230 V, 50/60 Hz	5.9 kg	48	2120642
Yonos MAXO 30/0,5-10 PN 10	G 2	0.20	180 mm	10 bar	1-230 V, 50/60 Hz	5.9 kg	48	2120643
Yonos MAXO 30/0,5-12 PN 10	G 2	0.20	180 mm	10 bar	1-230 V, 50/60 Hz	7 kg	32	2120644
Yonos MAXO 32/0,5-10 PN 6/10	DN 32	0.20	220 mm	10 bar	1-230 V, 50/60 Hz	9.4 kg	16	2210113
Yonos MAXO 32/0,5-11 PN 6/10	DN 32	0.20	220 mm	10 bar	1-230 V, 50/60 Hz	11 kg	32	2210114
Yonos MAXO 40/0,5-4 PN 6/10	DN 40	0.20	220 mm	10 bar	1-230 V, 50/60 Hz	10.2 kg	16	2120645
Yonos MAXO 40/0,5-8 PN 6/10	DN 40	0.20	220 mm	10 bar	1-230 V, 50/60 Hz	10.8 kg	32	2120646
Yonos MAXO 40/0,5-12 PN 6/10	DN 40	0.20	250 mm	10 bar	1-230 V, 50/60 Hz	14.9 kg	36	2120647
Yonos MAXO 40/0,5-16 PN 6/10	DN 40	0.20	250 mm	10 bar	1-230 V, 50/60 Hz	24.5 kg	12	2120648
Yonos MAXO 50/0,5-8 PN 6/10	DN 50	0.20	240 mm	10 bar	1-230 V, 50/60 Hz	12.1 kg	32	2120649
Yonos MAXO 50/0,5-9 PN 6/10	DN 50	0.20	280 mm	10 bar	1-230 V, 50/60 Hz	16.1 kg	36	2120650
Yonos MAXO 50/0,5-12 PN 6/10	DN 50	0.20	280 mm	10 bar	1-230 V, 50/60 Hz	16.1 kg	36	2120651
Yonos MAXO 50/0,5-16 PN 6/10	DN 50	0.20	340 mm	10 bar	1-230 V, 50/60 Hz	28.5 kg	12	2120652
Yonos MAXO 65/0,5-9 PN 6/10	DN 65	0.20	280 mm	10 bar	1-230 V, 50/60 Hz	18 kg	36	2120653
Yonos MAXO 65/0,5-12 PN 6/10	DN 65	0.20	340 mm	10 bar	1-230 V, 50/60 Hz	29.3 kg	12	2120654
Yonos MAXO 65/0,5-16 PN 6/10	DN 65	0.20	340 mm	10 bar	1-230 V, 50/60 Hz	31 kg	12	2120655
Yonos MAXO 80/0,5-6 PN 6	DN 80	0.20	360 mm	6 bar	1-230 V, 50/60 Hz	32.5 kg	12	2120656
Yonos MAXO 80/0,5-6 PN 10	DN 80	0.20	360 mm	10 bar	1-230 V, 50/60 Hz	32.5 kg	12	2120657
Yonos MAXO 80/0,5-12 PN 6	DN 80	0.20	360 mm	6 bar	1-230 V, 50/60 Hz	33.9 kg	12	2120658
Yonos MAXO 80/0,5-12 PN 10	DN 80	0.20	360 mm	10 bar	1-230 V, 50/60 Hz	33.9 kg	12	2120659
Yonos MAXO 100/0,5-12 PN 6	DN 100	0.20	360 mm	6 bar	1-230 V, 50/60 Hz	36.9 kg	12	2120660
Yonos MAXO 100/0,5-12 PN 10	DN 100	0.20	360 mm	10 bar	1-230 V, 50/60 Hz	36.9 kg	12	2120661



## Data sheet

### Hydraulic data

Maximum operating pressure $P_N$	10 bar
Head max $H_{max}$	7.5 m
Flow max $Q_{max}$	8.1 m <sup>3</sup> /h
Minimum suction head at 50 °C $m$	3 m
Minimum suction head at 95 °C $m$	10 m
Minimum suction head at 110 °C	16 m
Min. fluid temperature $T_{min}$	-20 °C
Max. fluid temperature $T_{max}$	110 °C
Min. ambient temperature $T_{min}$	-20 °C
Max. ambient temperature $T_{max}$	40 °C

### Motor data

Energy efficiency index (EEI)	0.20
Mains connection	1~230 V ±10%, 50/60 Hz
Min current $I_{min}$	0.08 A
Max current $I_{max}$	1 A
Rated power $P_2$	90 W
Min. speed $n_{min}$	1000 1/min
Max. speed $n_{max}$	3700 1/min
Power consumption $P_{1min}$	5 W
Power consumption $P_{1max}$	120 W
Interference emission	EN 61800-3;2004+A1;2012 /residential area (C1)
Interference immunity	EN 61800-3;2004+A1;2012 /industrial environment (C2)
Threaded cable connection	2 x M20x1.5
Insulation class	F
Protection class	IPX4D

### Materials

Pump housing	Grey cast iron
Impeller	PPE/PS-GF30
Shaft	Stainless steel
Bearing	Carbon-graphite

### Installation dimensions

Pipe connection on the discharge side <i>DNd</i>	G 1½
Pipe connection on the suction side <i>DNs</i>	G 1½
Port-to-port length <i>L0</i>	180 mm

### Equipment/function

#### Function

Control mode	$\Delta p-v$ for variable differential pressure
	$\Delta p-c$ for constant differential pressure
	Constant speed (3 speed stages)
Multi pump operation	Main/Standby (with Connect Module Yonos MAXO)
Display	Setpoint
	Fault signals (error codes)

#### Equipment

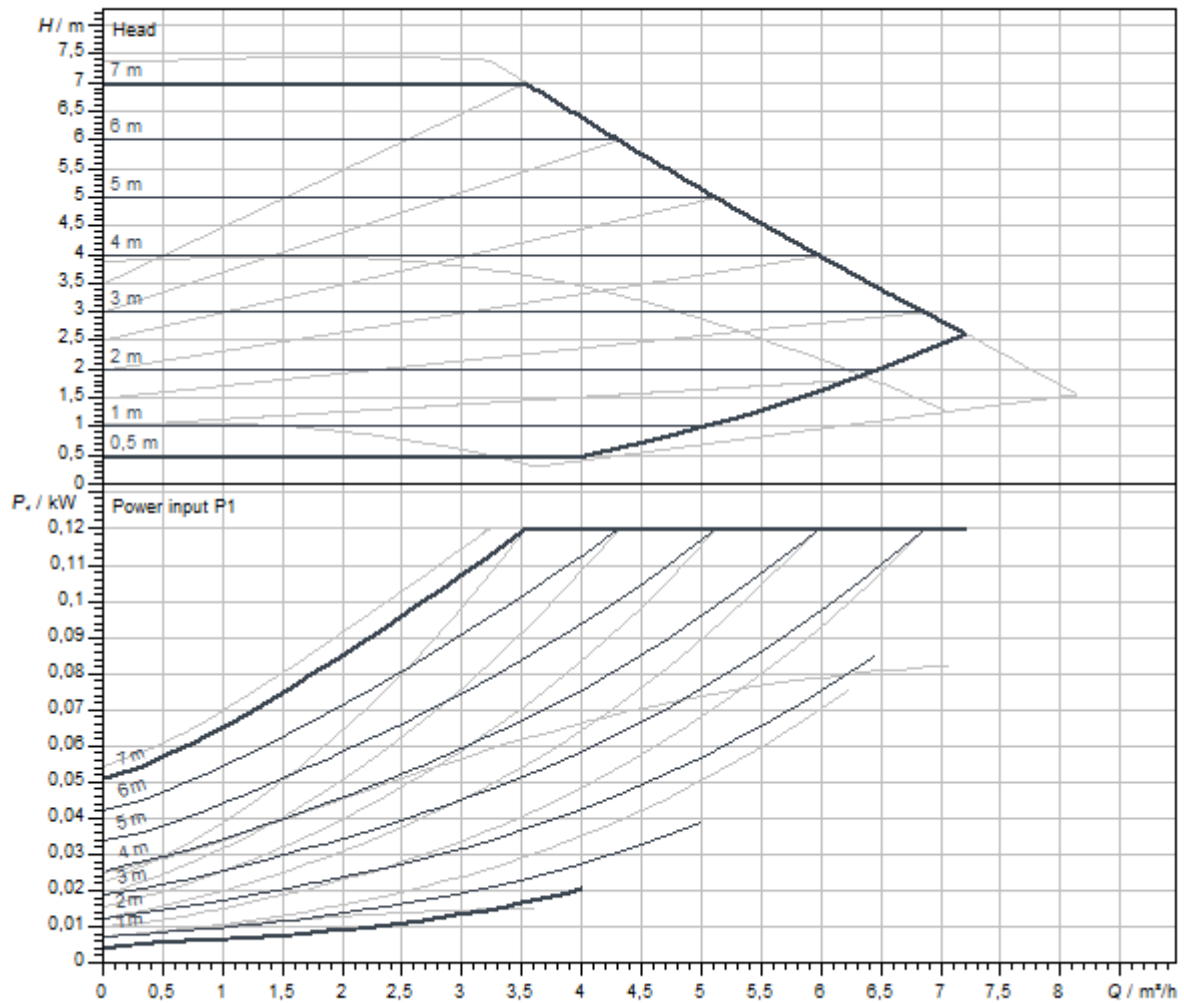
Approvals and labels	CE
	VDE
	EAC
Display	LED segment display
Display information	Basic Version: LED display (small) for showing the set head or speed stage.
Pump control	Electronic-controlled pump (high efficiency pump)
Quick electrical connection	Wilo plug
Thermal insulation shell	As accessory
Blocking-current proof motor	yes
Particle filter	yes

#### Connectivity

Digital input	Ext. OFF (via accessories Wilo-Connect module Yonos MAXO)
Digital output	SSM

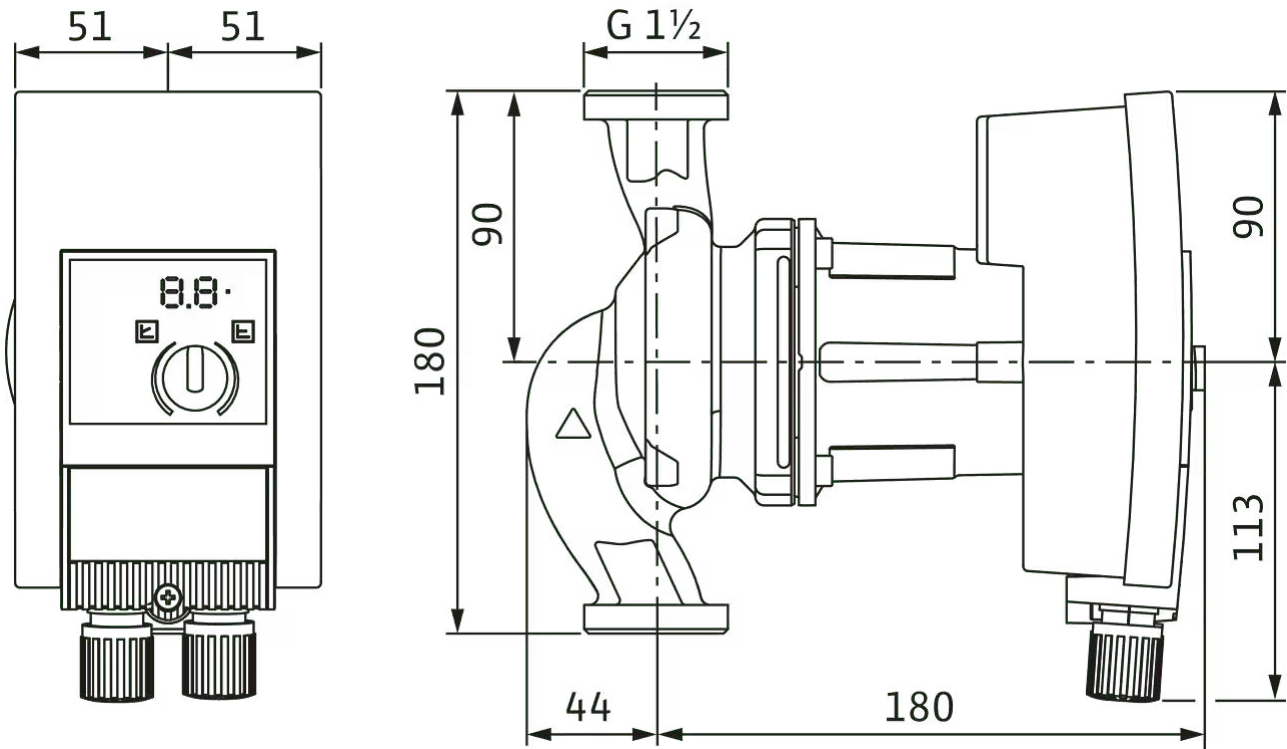


Pump curves



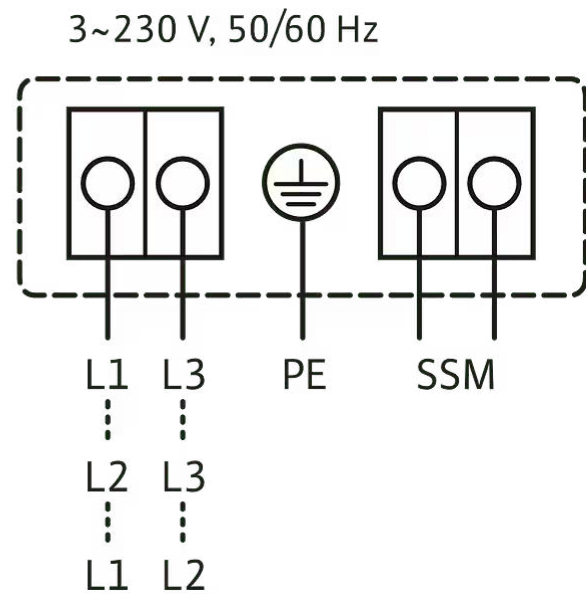
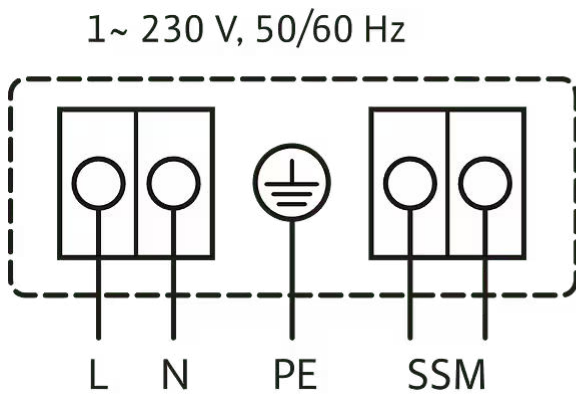
Dimensions and dimensions drawings

Yonos MAXO 25/0,5-7



## Wiring diagram

1~230V, 50/60 Hz



Collective fault signal

SSM:  
(NC contact in accordance with VDI 3814, load capacity 1 A, 250 V ~)

Standard: 1~230 V, 50/60 Hz

Option: 3~230 V, 50/60 Hz

## Ordering information

### Product data

Brand	Wilo
Product description	Yonos MAXO 25/0,5-7 PN 10
Article number	<b>2120639</b>
EAN number	4048482235868
Colour	green/black
Minimum order quantity	1
Date of sales availability	2015-06-01

### Dimension, weight

Length with packaging	300 mm
Length <i>L</i>	203 mm
Height with packaging	394 mm
Height <i>H</i>	224 mm
Width with packaging	200 mm
Width <i>W</i>	105 mm
Gross weight, approx. <i>m</i>	5.8 kg
Net weight, approx. <i>m</i>	4.5 kg

### Packaging

Packaging type	Cardboard box
Packaging property	Transport packaging
Pieces per pallet	48
Number per layer	16

## Tender text

High efficiency pump Wilo-Yonos MAXO electronically controlled,

Glandless circulator, synchronous motor according to ECM technology and integrated power control for continuous differential pressure control. Can be used for all heating, ventilation and air-conditioning applications.

Standard-equipped with:

- > Preselectable control modes for optimum load adjustment:  $\Delta p$ -c (differential pressure constant),  $\Delta p$ -v (differential pressure variable)
- > 3 speed stages (n = constant)

- > LED for setting the setpoint and displaying error messages
- > Electrical connection with the Wilo plug
- > Fault lamp and contact for collective fault signal

For flange-end pumps - flange versions:

- > Standard version for pumps DN 32 to DN 65: PN 6/10 combination flange (PN 16 flange according to EN 1092-2) for PN 6 and PN 16 counter flanges
- > Standard version for DN 80/DN 100 pumps: PN 6 flange (designed for PN 16 according to EN 1092-2) for PN 6 counter flange

## Operating Data

Fluid temperature <i>T</i>	-20 °C
Ambient temperature <i>T</i>	-20 °C
Maximum operating pressure <i>PN</i>	10 bar
Minimum suction head at 50 °C <i>m</i>	3 m
Minimum suction head at 95 °C <i>m</i>	10 m
Minimum suction head at 110 °C	16 m

## Motor data

Energy efficiency index (EEI)	0.20
Interference emission	EN 61800-3;2004+A1;2012 /residential area (C1)
Interference immunity	EN 61800-3;2004+A1;2012 /industrial environment (C2)
Mains connection	1~230 V, 50/60 Hz
Power consumption <i>P<sub>1 max</sub></i>	120 W
Min. speed <i>n<sub>min</sub></i>	1000 1/min
Max. speed <i>n<sub>max</sub></i>	3700 1/min
Protection class motor	IPX4D
Threaded cable connection	2 x M20x1.5

## Materials

Pump housing	Grey cast iron
Impeller	PPE/PS-GF30
Shaft	Stainless steel
Bearing	Carbon-graphite

## Installation dimensions

Pipe connection on the suction side <i>DNs</i>	G 1½
Pipe connection on the discharge side <i>DNd</i>	G 1½
Port-to-port length <i>LO</i>	180 mm

## Ordering information

Brand	Wilo
Product description	Yonos MAXO 25/0,5-7 PN 10
Net weight, approx. <i>m</i>	4.5 kg
Article number	<b>2120639</b>

## Services

With Wilo as your partner, you can not only be sure of choosing high-quality product solutions, but also of benefiting from a comprehensive, worry-free package of well thought-out services. We collaborate to develop a service concept tailored to your individual needs; with our expertise and personal consultancy, we make sure that the operation of your systems is as energy-efficient, reliable and economical as possible. All the while our competent Wilo service technicians are ready to assist you with fast, reliable and on-time support.

## Recommended services

Wilo-Live Assistant Service	2216415
System Optimisation Glandless pumps	2219250
Energy Solutions Glandless pumps	2219285

## More suitable services

Extended warranty glandless pumps	2219589
Supervision Glandless pumps	2219320
Installation Glandless pumps	2219355
Commissioning Glandless pumps	2219390
Maintenance BASIC Glandless pumps	2219530
Maintenance COMFORT Glandless pumps	2219416
Maintenance PREMIUM Glandless pumps	2219545
Repair Glandless pumps	2219609



## Data sheet

### Hydraulic data

Maximum operating pressure $P_N$	10 bar
Head max $H_{max}$	10.9 m
Flow max $Q_{max}$	9.5 m <sup>3</sup> /h
Minimum suction head at 50 °C $m$	3 m
Minimum suction head at 95 °C $m$	10 m
Minimum suction head at 110 °C	16 m
Min. fluid temperature $T_{min}$	-20 °C
Max. fluid temperature $T_{max}$	110 °C
Min. ambient temperature $T_{min}$	-20 °C
Max. ambient temperature $T_{max}$	40 °C

### Motor data

Energy efficiency index (EEI)	0.20
Mains connection	1~230 V ±10%, 50/60 Hz
Min current $I_{min}$	0.1 A
Max current $I_{max}$	1.5 A
Rated power $P_2$	140 W
Min. speed $n_{min}$	1000 1/min
Max. speed $n_{max}$	4450 1/min
Power consumption $P_{1min}$	5 W
Power consumption $P_{1max}$	190 W
Interference emission	EN 61800-3;2004+A1;2012 /residential area (C1)
Interference immunity	EN 61800-3;2004+A1;2012 /industrial environment (C2)
Threaded cable connection	2 x M20x1.5
Insulation class	F
Protection class	IPX4D

### Materials

Pump housing	Grey cast iron
Impeller	PPE/PS-GF30
Shaft	Stainless steel
Bearing	Carbon-graphite

### Installation dimensions

Pipe connection on the discharge side <i>DNd</i>	G 1½
Pipe connection on the suction side <i>DNs</i>	G 1½
Port-to-port length <i>L0</i>	180 mm

### Equipment/function

#### Function

Control mode	$\Delta p-v$ for variable differential pressure
	$\Delta p-c$ for constant differential pressure
	Constant speed (3 speed stages)
Multi pump operation	Main/Standby (with Connect Module Yonos MAXO)
Display	Setpoint
	Fault signals (error codes)

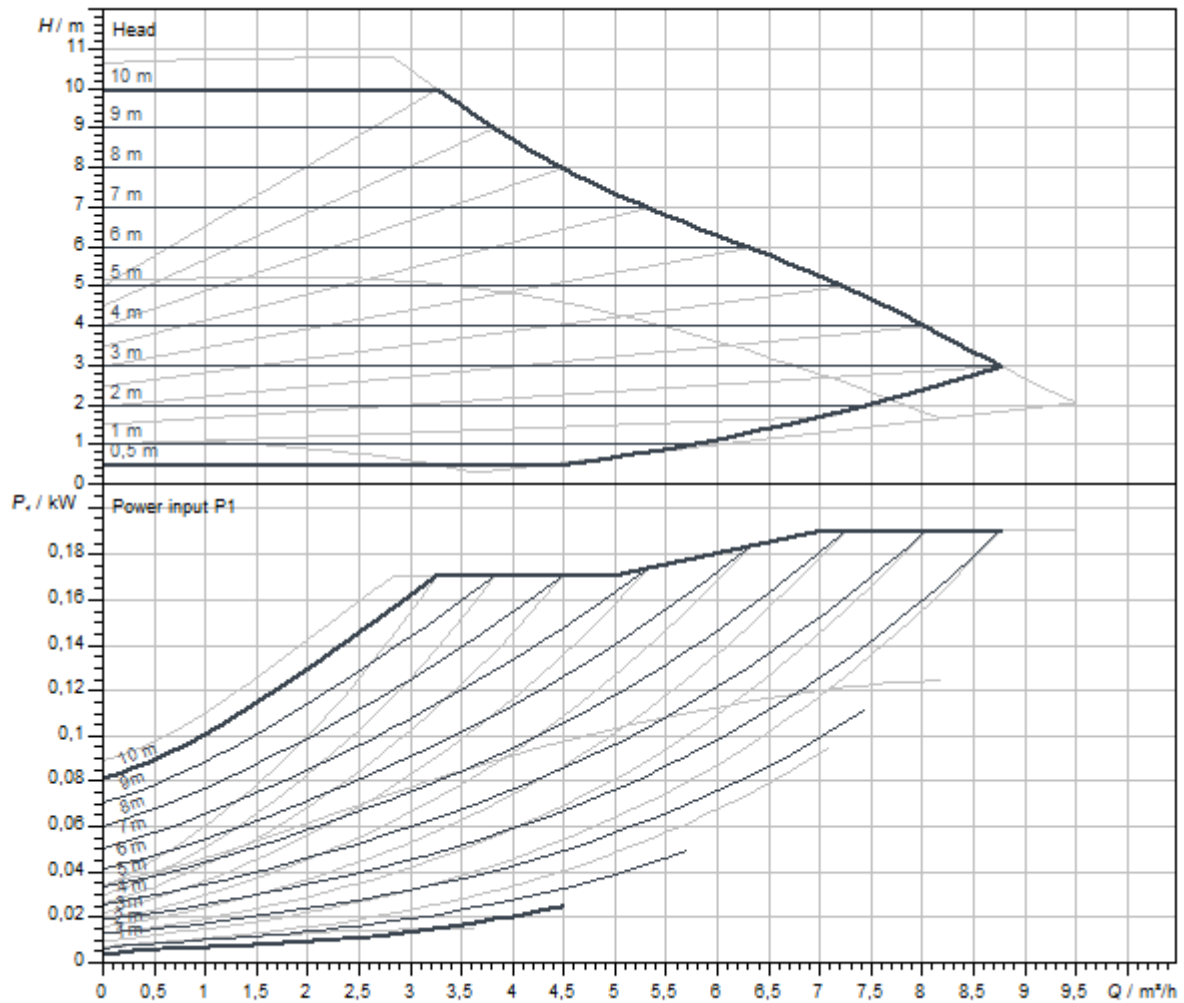
#### Equipment

Approvals and labels	CE
	VDE
	EAC
Display	LED segment display
Display information	Basic Version: LED display (small) for showing the set head or speed stage.
Pump control	Electronic-controlled pump (high efficiency pump)
Quick electrical connection	Wilo plug
Thermal insulation shell	As accessory
Blocking-current proof motor	yes
Particle filter	yes

#### Connectivity

Digital input	Ext. OFF (via accessories Wilo-Connect module Yonos MAXO)
Digital output	SSM

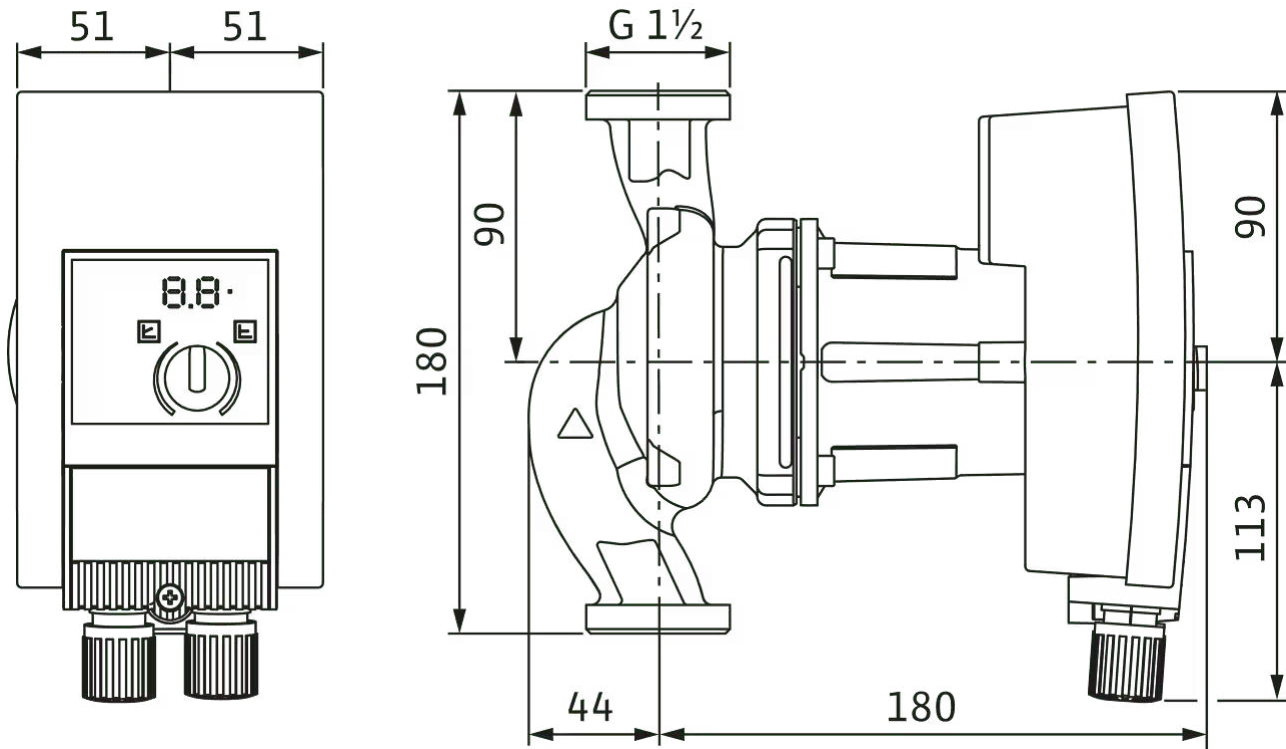
Pump curves





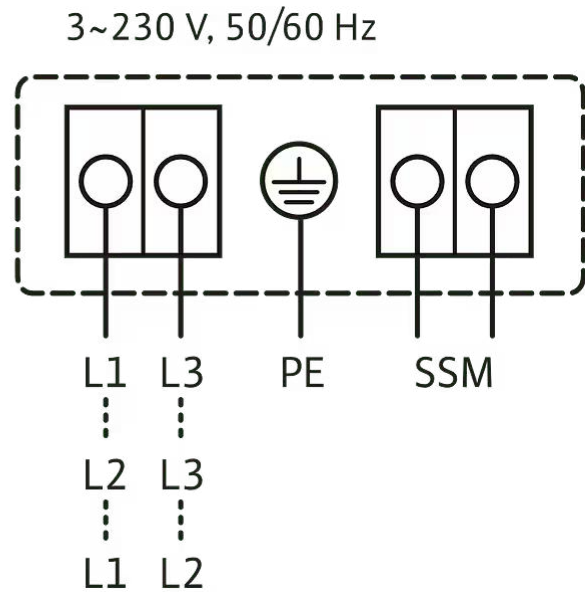
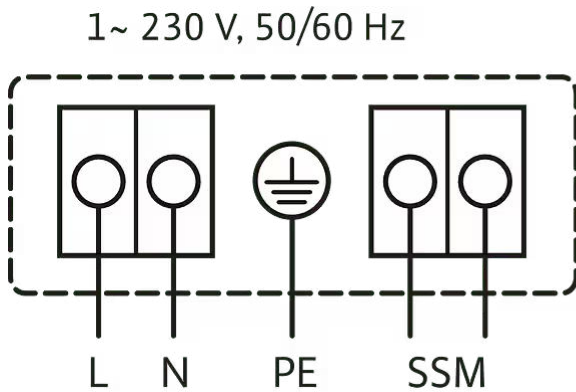
Dimensions and dimensions drawings

Yonos MAXO 25/0,5-10



## Wiring diagram

1~230V, 50/60 Hz



Collective fault signal

SSM: (NC contact in accordance with VDI 3814, load capacity 1 A, 250 V ~)

Standard: 1~230 V, 50/60 Hz

Option: 3~230 V, 50/60 Hz

## Ordering information

### Product data

Brand	Wilo
Product description	Yonos MAXO 25/0,5-10 PN 10
Article number	<b>2120640</b>
EAN number	4048482235875
Colour	green/black
Minimum order quantity	1
Date of sales availability	2013-09-01

### Dimension, weight

Length with packaging	300 mm
Length <i>L</i>	203 mm
Height with packaging	394 mm
Height <i>H</i>	224 mm
Width with packaging	200 mm
Width <i>W</i>	105 mm
Gross weight, approx. <i>m</i>	5.8 kg
Net weight, approx. <i>m</i>	4.5 kg

### Packaging

Packaging type	Cardboard box
Packaging property	Transport packaging
Pieces per pallet	48
Number per layer	16

## Tender text

High efficiency pump Wilo-Yonos MAXO electronically controlled,

Glandless circulator, synchronous motor according to ECM technology and integrated power control for continuous differential pressure control. Can be used for all heating, ventilation and air-conditioning applications.

Standard-equipped with:

- > Preselectable control modes for optimum load adjustment:  $\Delta p$ -c (differential pressure constant),  $\Delta p$ -v (differential pressure variable)
- > 3 speed stages (n = constant)

- > LED for setting the setpoint and displaying error messages
- > Electrical connection with the Wilo plug
- > Fault lamp and contact for collective fault signal

For flange-end pumps - flange versions:

- > Standard version for pumps DN 32 to DN 65: PN 6/10 combination flange (PN 16 flange according to EN 1092-2) for PN 6 and PN 16 counter flanges
- > Standard version for DN 80/DN 100 pumps: PN 6 flange (designed for PN 16 according to EN 1092-2) for PN 6 counter flange

## Operating Data

Fluid temperature <i>T</i>	-20 °C
Ambient temperature <i>T</i>	-20 °C
Maximum operating pressure <i>PN</i>	10 bar
Minimum suction head at 50 °C <i>m</i>	3 m
Minimum suction head at 95 °C <i>m</i>	10 m
Minimum suction head at 110 °C	16 m

## Motor data

Energy efficiency index (EEI)	0.20
Interference emission	EN 61800-3;2004+A1;2012 /residential area (C1)
Interference immunity	EN 61800-3;2004+A1;2012 /industrial environment (C2)
Mains connection	1~230 V, 50/60 Hz
Power consumption <i>P<sub>1 max</sub></i>	190 W
Min. speed <i>n<sub>min</sub></i>	1000 1/min
Max. speed <i>n<sub>max</sub></i>	4450 1/min
Protection class motor	IPX4D
Threaded cable connection	2 x M20x1.5

## Materials

Pump housing	Grey cast iron
Impeller	PPE/PS-GF30
Shaft	Stainless steel
Bearing	Carbon-graphite

## Installation dimensions

Pipe connection on the suction side <i>DN<sub>s</sub></i>	G 1½
Pipe connection on the discharge side <i>DN<sub>d</sub></i>	G 1½
Port-to-port length <i>L<sub>0</sub></i>	180 mm

## Ordering information

Brand	Wilo
Product description	Yonos MAXO 25/0,5-10 PN 10
Net weight, approx. <i>m</i>	4.5 kg
Article number	<b>2120640</b>

## Services

With Wilo as your partner, you can not only be sure of choosing high-quality product solutions, but also of benefiting from a comprehensive, worry-free package of well thought-out services. We collaborate to develop a service concept tailored to your individual needs; with our expertise and personal consultancy, we make sure that the operation of your systems is as energy-efficient, reliable and economical as possible. All the while our competent Wilo service technicians are ready to assist you with fast, reliable and on-time support.

### Recommended services

Wilo-Live Assistant Service	2216415
System Optimisation Glandless pumps	2219250
Energy Solutions Glandless pumps	2219285

### More suitable services

Extended warranty glandless pumps	2219589
Supervision Glandless pumps	2219320
Installation Glandless pumps	2219355
Commissioning Glandless pumps	2219390
Maintenance BASIC Glandless pumps	2219530
Maintenance COMFORT Glandless pumps	2219416
Maintenance PREMIUM Glandless pumps	2219545
Repair Glandless pumps	2219609



## Data sheet

### Hydraulic data

Maximum operating pressure $P_N$	10 bar
Head max $H_{max}$	12.1 m
Flow max $Q_{max}$	11.8 m <sup>3</sup> /h
Minimum suction head at 50 °C $m$	3 m
Minimum suction head at 95 °C $m$	10 m
Minimum suction head at 110 °C	16 m
Min. fluid temperature $T_{min}$	-20 °C
Max. fluid temperature $T_{max}$	110 °C
Min. ambient temperature $T_{min}$	-20 °C
Max. ambient temperature $T_{max}$	40 °C

### Motor data

Energy efficiency index (EEI)	0.20
Mains connection	1~230 V ±10%, 50/60 Hz
Min current $I_{min}$	0.15 A
Max current $I_{max}$	1.33 A
Rated power $P_2$	200 W
Min. speed $n_{min}$	1000 1/min
Max. speed $n_{max}$	4800 1/min
Power consumption $P_{1min}$	10 W
Power consumption $P_{1max}$	305 W
Interference emission	EN 61800-3;2004+A1;2012 /residential area (C1)
Interference immunity	EN 61800-3;2004+A1;2012 /industrial environment (C2)
Threaded cable connection	2 x M20x1.5
Insulation class	F
Protection class	IPX4D

### Materials

Pump housing	Grey cast iron
Impeller	PPE/PS-GF30
Shaft	Stainless steel
Bearing	Carbon-graphite

### Installation dimensions

Pipe connection on the discharge side <i>DNd</i>	G 1½
Pipe connection on the suction side <i>DNs</i>	G 1½
Port-to-port length <i>L0</i>	180 mm

### Equipment/function

#### Function

Control mode	$\Delta p$ -v for variable differential pressure
	$\Delta p$ -c for constant differential pressure
	Constant speed (3 speed stages)
Multi pump operation	Main/Standby (with Connect Module Yonos MAXO)
Display	Setpoint
	Fault signals (error codes)

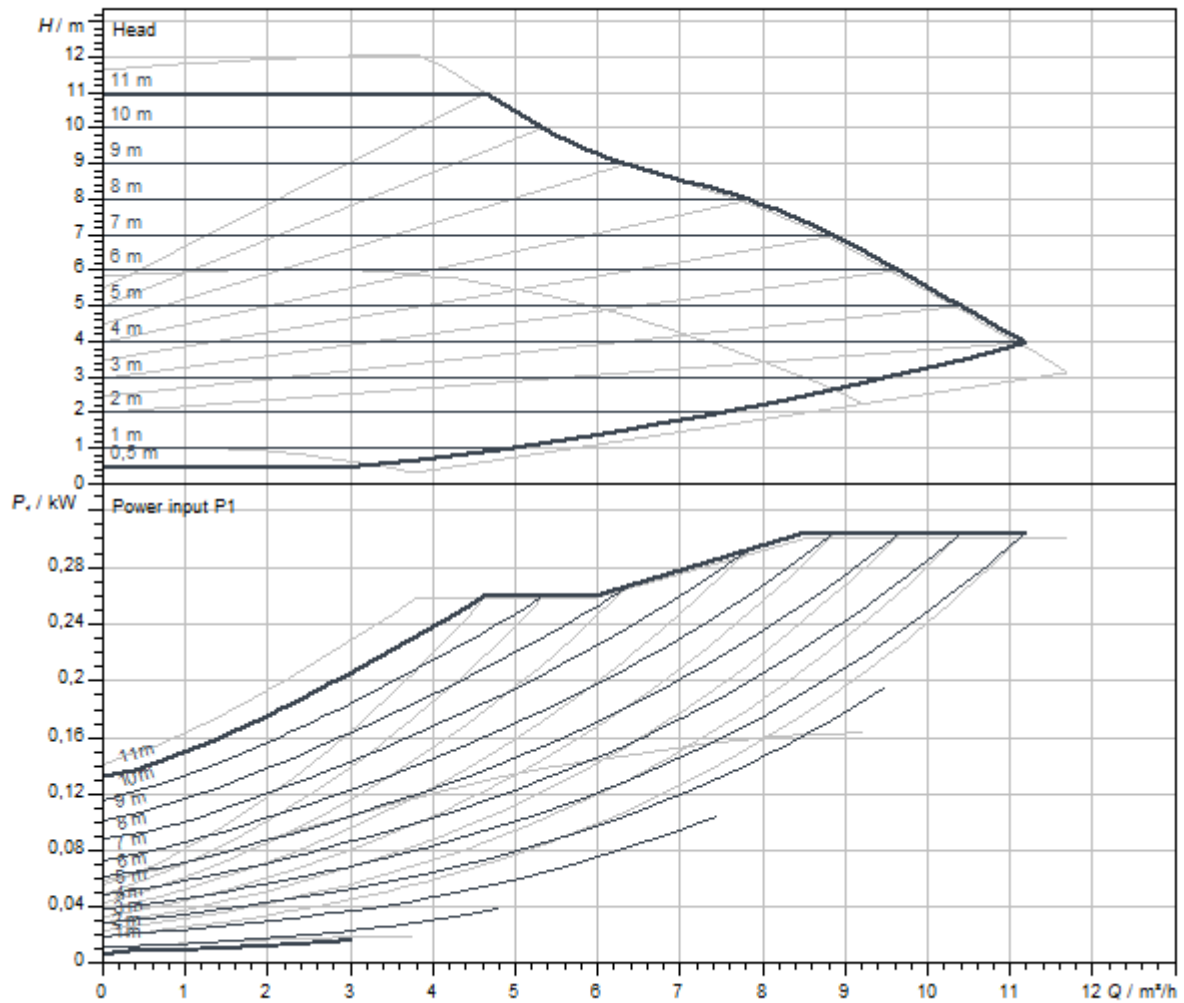
#### Equipment

Approvals and labels	CE
	VDE
	EAC
Display	LED segment display
Display information	Basic Version: LED display (small) for showing the set head or speed stage.
Pump control	Electronic-controlled pump (high efficiency pump)
Quick electrical connection	Wilo plug
Thermal insulation shell	As accessory
Blocking-current proof motor	yes
Particle filter	yes

#### Connectivity

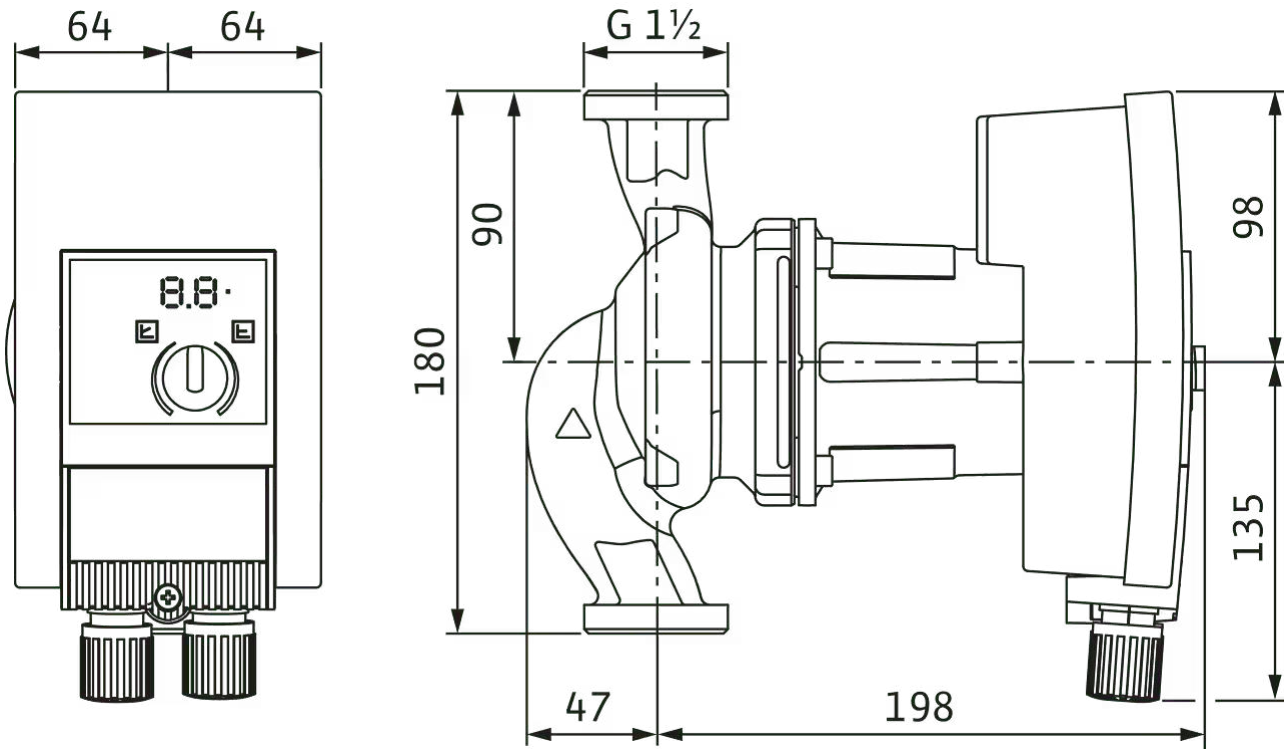
Digital input	Ext. OFF (via accessories Wilo-Connect module Yonos MAXO)
Digital output	SSM

Pump curves



Dimensions and dimensions drawings

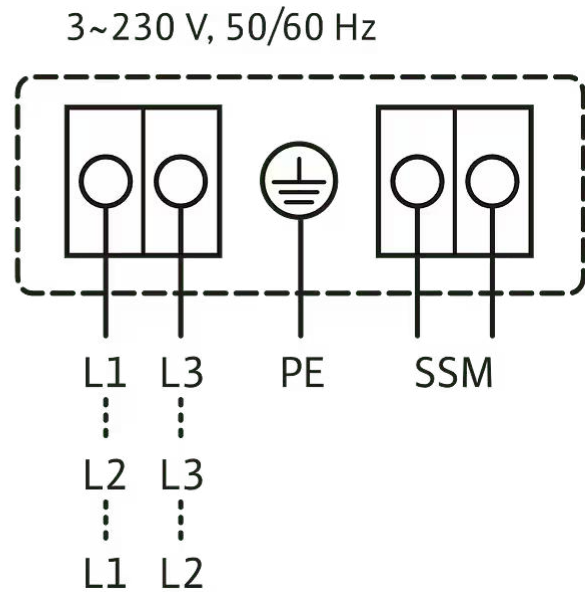
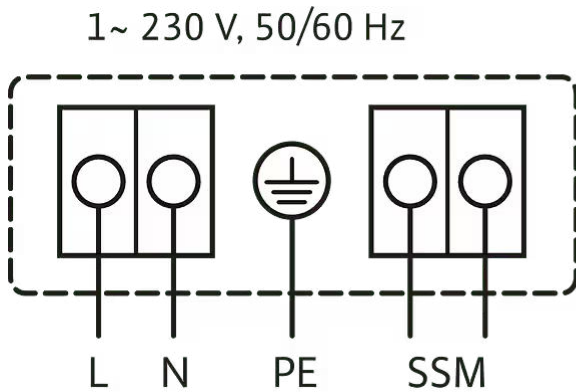
Yonos MAXO 25/0,5-12





## Wiring diagram

1~230V, 50/60 Hz



Collective fault signal

SSM: (NC contact in accordance with VDI 3814, load capacity 1 A, 250 V ~)

Standard: 1~230 V, 50/60 Hz

Option: 3~230 V, 50/60 Hz

## Ordering information

### Product data

Brand	Wilo
Product description	Yonos MAXO 25/0,5-12 PN 10
Article number	<b>2120641</b>
EAN number	4048482235882
Colour	green/black
Minimum order quantity	1
Date of sales availability	2013-09-01

### Dimension, weight

Length with packaging	400 mm
Length <i>L</i>	180 mm
Height with packaging	263 mm
Height <i>H</i>	244 mm
Width with packaging	300 mm
Width <i>W</i>	128 mm
Gross weight, approx. <i>m</i>	6.9 kg
Net weight, approx. <i>m</i>	5.3 kg

### Packaging

Packaging type	Cardboard box
Packaging property	Transport packaging
Pieces per pallet	32
Number per layer	8

## Tender text

High efficiency pump Wilo-Yonos MAXO electronically controlled,

Glandless circulator, synchronous motor according to ECM technology and integrated power control for continuous differential pressure control. Can be used for all heating, ventilation and air-conditioning applications.

Standard-equipped with:

- > Preselectable control modes for optimum load adjustment:  $\Delta p$ -c (differential pressure constant),  $\Delta p$ -v (differential pressure variable)
- > 3 speed stages (n = constant)

- > LED for setting the setpoint and displaying error messages
- > Electrical connection with the Wilo plug
- > Fault lamp and contact for collective fault signal

For flange-end pumps - flange versions:

- > Standard version for pumps DN 32 to DN 65: PN 6/10 combination flange (PN 16 flange according to EN 1092-2) for PN 6 and PN 16 counter flanges
- > Standard version for DN 80/DN 100 pumps: PN 6 flange (designed for PN 16 according to EN 1092-2) for PN 6 counter flange

## Operating Data

Fluid temperature <i>T</i>	-20 °C
Ambient temperature <i>T</i>	-20 °C
Maximum operating pressure <i>PN</i>	10 bar
Minimum suction head at 50 °C <i>m</i>	3 m
Minimum suction head at 95 °C <i>m</i>	10 m
Minimum suction head at 110 °C	16 m

## Motor data

Energy efficiency index (EEI)	0.20
Interference emission	EN 61800-3;2004+A1;2012 /residential area (C1)
Interference immunity	EN 61800-3;2004+A1;2012 /industrial environment (C2)
Mains connection	1~230 V, 50/60 Hz
Power consumption <i>P<sub>1 max</sub></i>	305 W
Min. speed <i>n<sub>min</sub></i>	1000 1/min
Max. speed <i>n<sub>max</sub></i>	4800 1/min
Protection class motor	IPX4D
Threaded cable connection	2 x M20x1.5

## Materials

Pump housing	Grey cast iron
Impeller	PPE/PS-GF30
Shaft	Stainless steel
Bearing	Carbon-graphite

## Installation dimensions

Pipe connection on the suction side <i>DNs</i>	G 1½
Pipe connection on the discharge side <i>DNd</i>	G 1½
Port-to-port length <i>LO</i>	180 mm

## Ordering information

Brand	Wilo
Product description	Yonos MAXO 25/0,5-12 PN 10
Net weight, approx. <i>m</i>	5.3 kg
Article number	<b>2120641</b>

## Services

With Wilo as your partner, you can not only be sure of choosing high-quality product solutions, but also of benefiting from a comprehensive, worry-free package of well thought-out services. We collaborate to develop a service concept tailored to your individual needs; with our expertise and personal consultancy, we make sure that the operation of your systems is as energy-efficient, reliable and economical as possible. All the while our competent Wilo service technicians are ready to assist you with fast, reliable and on-time support.

### Recommended services

Wilo-Live Assistant Service	2216415
System Optimisation Glandless pumps	2219250
Energy Solutions Glandless pumps	2219285

### More suitable services

Extended warranty glandless pumps	2219589
Supervision Glandless pumps	2219320
Installation Glandless pumps	2219355
Commissioning Glandless pumps	2219390
Maintenance BASIC Glandless pumps	2219530
Maintenance COMFORT Glandless pumps	2219416
Maintenance PREMIUM Glandless pumps	2219545
Repair Glandless pumps	2219609



## Data sheet

### Hydraulic data

Maximum operating pressure $P_N$	10 bar
Head max $H_{max}$	7.5 m
Flow max $Q_{max}$	8.1 m <sup>3</sup> /h
Minimum suction head at 50 °C $m$	3 m
Minimum suction head at 95 °C $m$	10 m
Minimum suction head at 110 °C	16 m
Min. fluid temperature $T_{min}$	-20 °C
Max. fluid temperature $T_{max}$	110 °C
Min. ambient temperature $T_{min}$	-20 °C
Max. ambient temperature $T_{max}$	40 °C

### Motor data

Energy efficiency index (EEI)	0.20
Mains connection	1~230 V ±10%, 50/60 Hz
Min current $I_{min}$	0.08 A
Max current $I_{max}$	1 A
Rated power $P_2$	90 W
Min. speed $n_{min}$	1000 1/min
Max. speed $n_{max}$	3700 1/min
Power consumption $P_{1min}$	5 W
Power consumption $P_{1max}$	120 W
Interference emission	EN 61800-3;2004+A1;2012 /residential area (C1)
Interference immunity	EN 61800-3;2004+A1;2012 /industrial environment (C2)
Threaded cable connection	2 x M20x1.5
Insulation class	F
Protection class	IPX4D

### Materials

Pump housing	Grey cast iron
Impeller	PPE/PS-GF30
Shaft	Stainless steel
Bearing	Carbon-graphite

### Installation dimensions

Pipe connection on the discharge side <i>DNd</i>	G 2
Pipe connection on the suction side <i>DNs</i>	G 2
Port-to-port length <i>L0</i>	180 mm

### Equipment/function

#### Function

Control mode	$\Delta p-v$ for variable differential pressure
	$\Delta p-c$ for constant differential pressure
	Constant speed (3 speed stages)
Multi pump operation	Main/Standby (with Connect Module Yonos MAXO)
Display	Setpoint
	Fault signals (error codes)

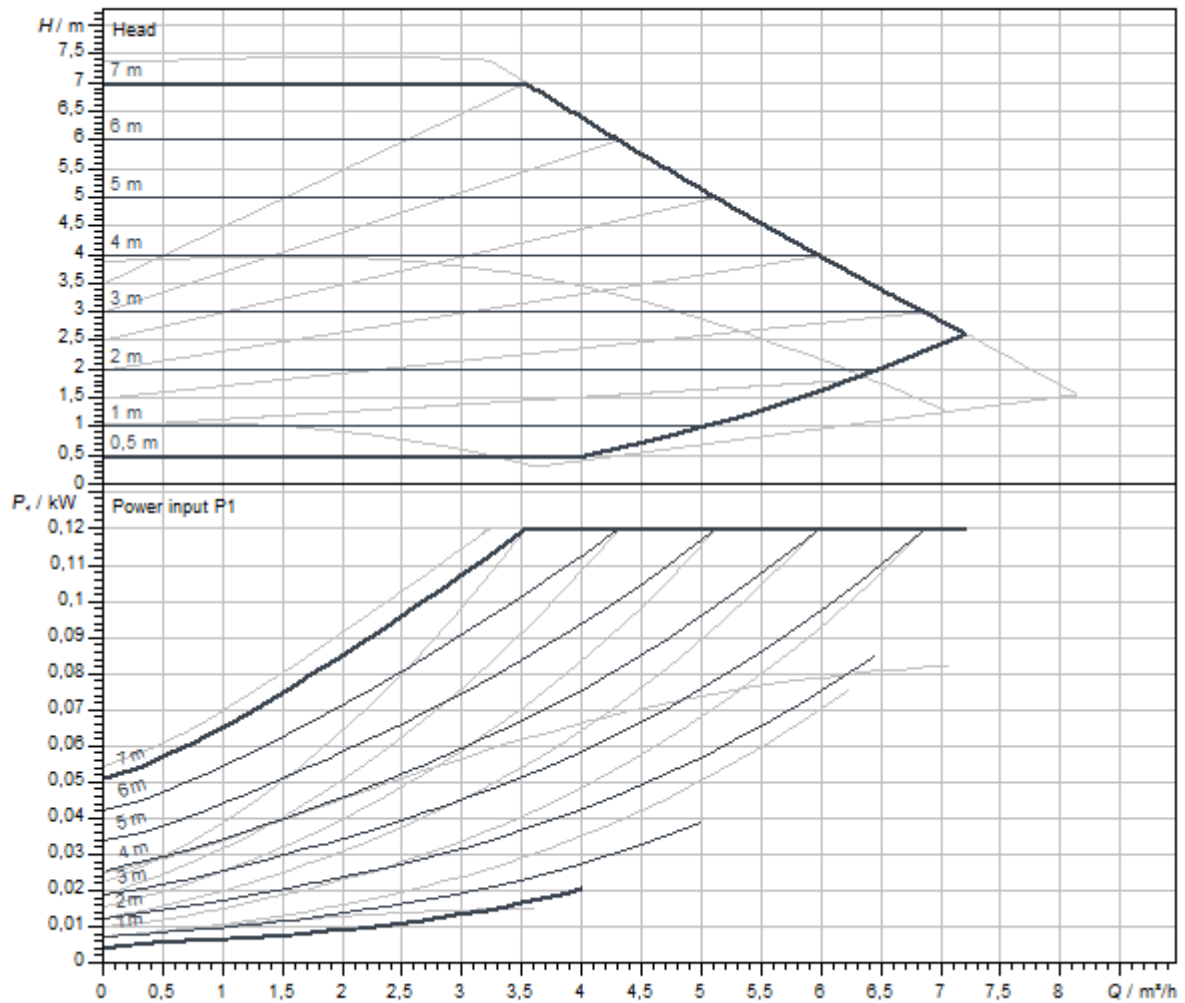
#### Equipment

Approvals and labels	CE
	VDE
	EAC
Display	LED segment display
Display information	Basic Version: LED display (small) for showing the set head or speed stage.
Pump control	Electronic-controlled pump (high efficiency pump)
Quick electrical connection	Wilo plug
Thermal insulation shell	As accessory
Blocking-current proof motor	yes
Particle filter	yes

#### Connectivity

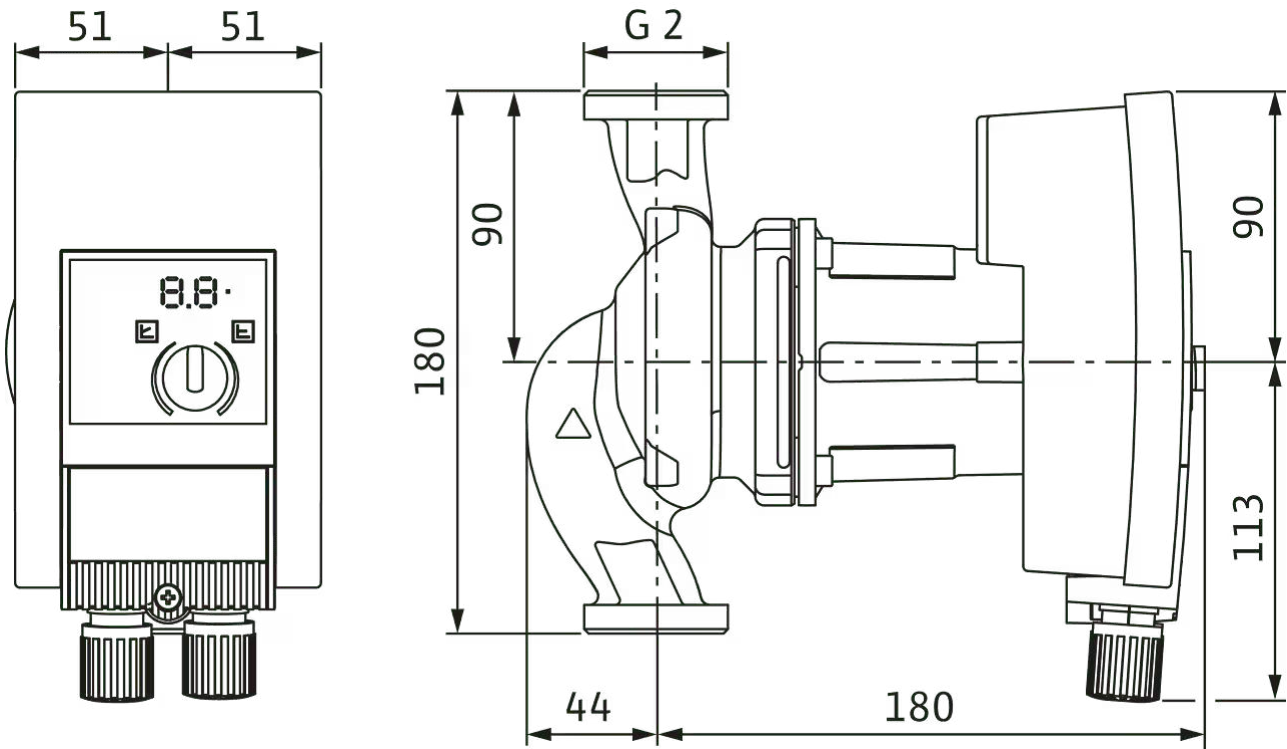
Digital input	Ext. OFF (via accessories Wilo-Connect module Yonos MAXO)
Digital output	SSM

Pump curves



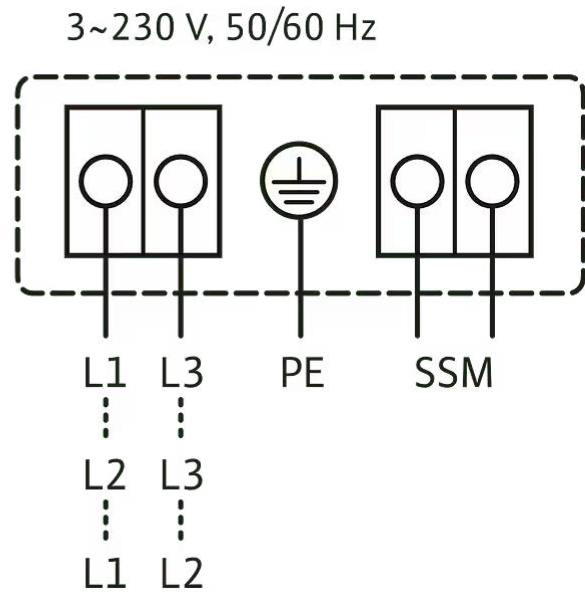
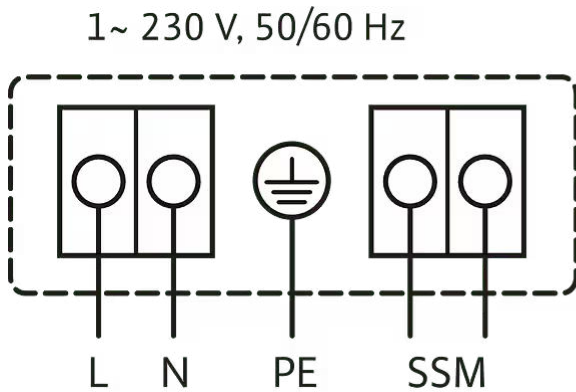
Dimensions and dimensions drawings

Yonos MAXO



## Wiring diagram

1~230V, 50/60 Hz



Collective fault signal

SSM: (NC contact in accordance with VDI 3814, load capacity 1 A, 250 V ~)

Standard: 1~230 V, 50/60 Hz

Option: 3~230 V, 50/60 Hz

## Ordering information

### Product data

Brand	Wilo
Product description	Yonos MAXO 30/0,5-7 PN 10
Article number	<b>2120642</b>
EAN number	4048482235899
Colour	green/black
Minimum order quantity	1
Date of sales availability	2013-09-01

### Dimension, weight

Length with packaging	300 mm
Length <i>L</i>	203 mm
Height with packaging	394 mm
Height <i>H</i>	224 mm
Width with packaging	200 mm
Width <i>W</i>	105 mm
Gross weight, approx. <i>m</i>	5.9 kg
Net weight, approx. <i>m</i>	4.6 kg

### Packaging

Packaging type	Cardboard box
Packaging property	Transport packaging
Pieces per pallet	48
Number per layer	16



## Tender text

High efficiency pump Wilo-Yonos MAXO electronically controlled,

Glandless circulator, synchronous motor according to ECM technology and integrated power control for continuous differential pressure control. Can be used for all heating, ventilation and air-conditioning applications.

Standard-equipped with:

- > Preselectable control modes for optimum load adjustment:  $\Delta p$ -c (differential pressure constant),  $\Delta p$ -v (differential pressure variable)
- > 3 speed stages (n = constant)

- > LED for setting the setpoint and displaying error messages
- > Electrical connection with the Wilo plug
- > Fault lamp and contact for collective fault signal

For flange-end pumps - flange versions:

- > Standard version for pumps DN 32 to DN 65: PN 6/10 combination flange (PN 16 flange according to EN 1092-2) for PN 6 and PN 16 counter flanges
- > Standard version for DN 80/DN 100 pumps: PN 6 flange (designed for PN 16 according to EN 1092-2) for PN 6 counter flange

## Operating Data

Fluid temperature <i>T</i>	-20 °C
Ambient temperature <i>T</i>	-20 °C
Maximum operating pressure <i>PN</i>	10 bar
Minimum suction head at 50 °C <i>m</i>	3 m
Minimum suction head at 95 °C <i>m</i>	10 m
Minimum suction head at 110 °C	16 m

## Motor data

Energy efficiency index (EEI)	0.20
Interference emission	EN 61800-3;2004+A1;2012 /residential area (C1)
Interference immunity	EN 61800-3;2004+A1;2012 /industrial environment (C2)
Mains connection	1~230 V, 50/60 Hz
Power consumption <i>P</i> <sub>1 max</sub>	120 W
Min. speed <i>n</i> <sub>min</sub>	1000 1/min
Max. speed <i>n</i> <sub>max</sub>	3700 1/min
Protection class motor	IPX4D
Threaded cable connection	2 x M20x1.5

## Materials

Pump housing	Grey cast iron
Impeller	PPE/PS-GF30
Shaft	Stainless steel
Bearing	Carbon-graphite

## Installation dimensions

Pipe connection on the suction side <i>DNs</i>	G 2
Pipe connection on the discharge side <i>DNd</i>	G 2
Port-to-port length <i>L0</i>	180 mm

## Ordering information

Brand	Wilo
Product description	Yonos MAXO 30/0,5-7 PN 10
Net weight, approx. <i>m</i>	4.6 kg
Article number	<b>2120642</b>

## Services

With Wilo as your partner, you can not only be sure of choosing high-quality product solutions, but also of benefiting from a comprehensive, worry-free package of well thought-out services. We collaborate to develop a service concept tailored to your individual needs; with our expertise and personal consultancy, we make sure that the operation of your systems is as energy-efficient, reliable and economical as possible. All the while our competent Wilo service technicians are ready to assist you with fast, reliable and on-time support.

## Recommended services

Wilo-Live Assistant Service	2216415
System Optimisation Glandless pumps	2219250
Energy Solutions Glandless pumps	2219285

## More suitable services

Extended warranty glandless pumps	2219589
Supervision Glandless pumps	2219320
Installation Glandless pumps	2219355
Commissioning Glandless pumps	2219390
Maintenance BASIC Glandless pumps	2219530
Maintenance COMFORT Glandless pumps	2219416
Maintenance PREMIUM Glandless pumps	2219545
Repair Glandless pumps	2219609



## Data sheet

### Hydraulic data

Maximum operating pressure $P_N$	10 bar
Head max $H_{max}$	10.9 m
Flow max $Q_{max}$	9.5 m <sup>3</sup> /h
Minimum suction head at 50 °C $m$	3 m
Minimum suction head at 95 °C $m$	10 m
Minimum suction head at 110 °C	16 m
Min. fluid temperature $T_{min}$	-20 °C
Max. fluid temperature $T_{max}$	110 °C
Min. ambient temperature $T_{min}$	-20 °C
Max. ambient temperature $T_{max}$	40 °C

### Motor data

Energy efficiency index (EEI)	0.20
Mains connection	1~230 V ±10%, 50/60 Hz
Min current $I_{min}$	0.1 A
Max current $I_{max}$	1.5 A
Rated power $P_2$	140 W
Min. speed $n_{min}$	1000 1/min
Max. speed $n_{max}$	4450 1/min
Power consumption $P_{1min}$	5 W
Power consumption $P_{1max}$	190 W
Interference emission	EN 61800-3;2004+A1;2012 /residential area (C1)
Interference immunity	EN 61800-3;2004+A1;2012 /industrial environment (C2)
Threaded cable connection	2 x M20x1.5
Insulation class	F
Protection class	IPX4D

### Materials

Pump housing	Grey cast iron
Impeller	PPE/PS-GF30
Shaft	Stainless steel
Bearing	Carbon-graphite

### Installation dimensions

Pipe connection on the discharge side <i>DNd</i>	G 2
Pipe connection on the suction side <i>DNs</i>	G 2
Port-to-port length <i>L0</i>	180 mm

### Equipment/function

#### Function

Control mode	$\Delta p-v$ for variable differential pressure
	$\Delta p-c$ for constant differential pressure
	Constant speed (3 speed stages)
Multi pump operation	Main/Standby (with Connect Module Yonos MAXO)
Display	Setpoint
	Fault signals (error codes)

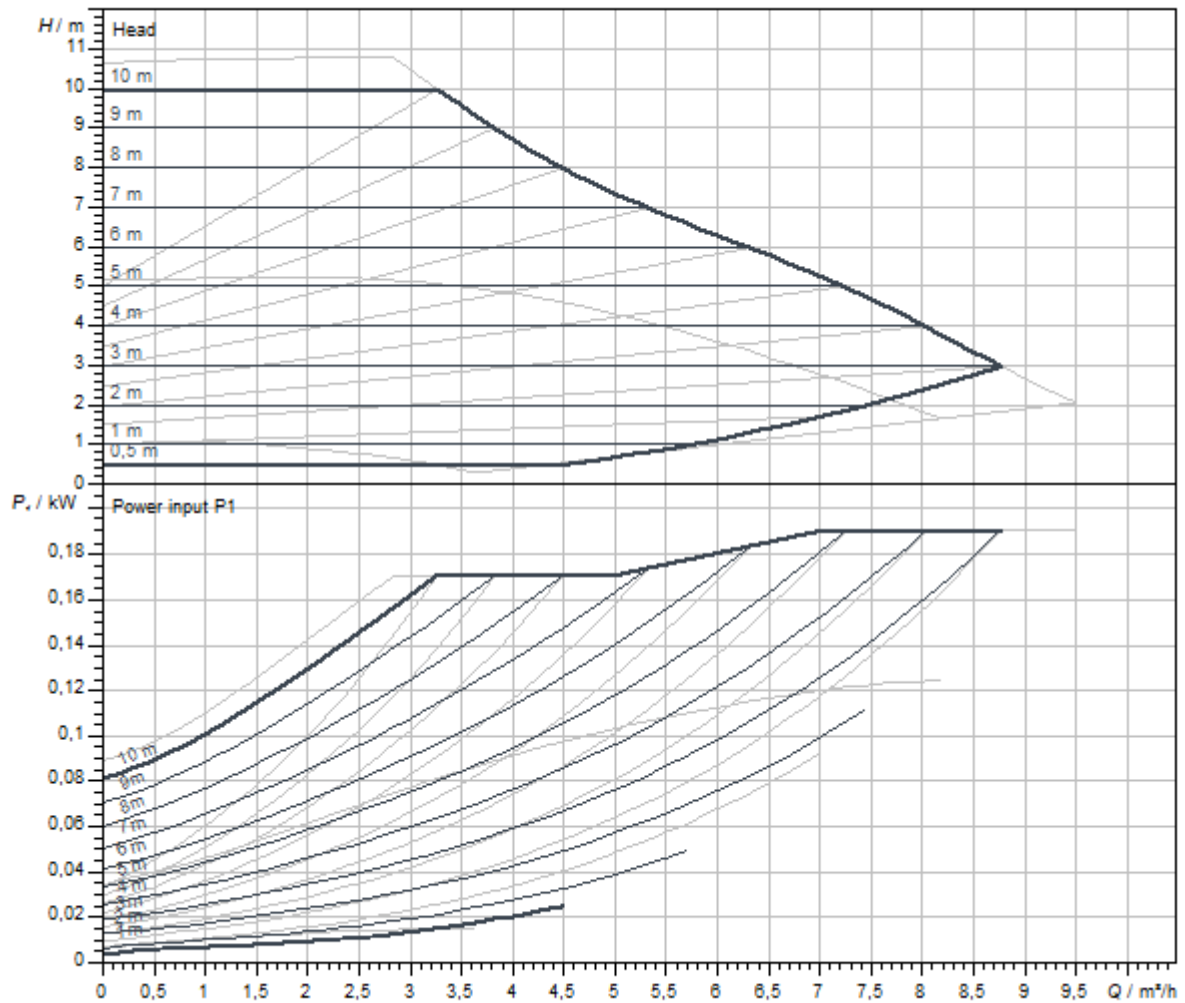
#### Equipment

Approvals and labels	CE
	VDE
	EAC
Display	LED segment display
Display information	Basic Version: LED display (small) for showing the set head or speed stage.
Pump control	Electronic-controlled pump (high efficiency pump)
Quick electrical connection	Wilo plug
Thermal insulation shell	As accessory
Blocking-current proof motor	yes
Particle filter	yes

#### Connectivity

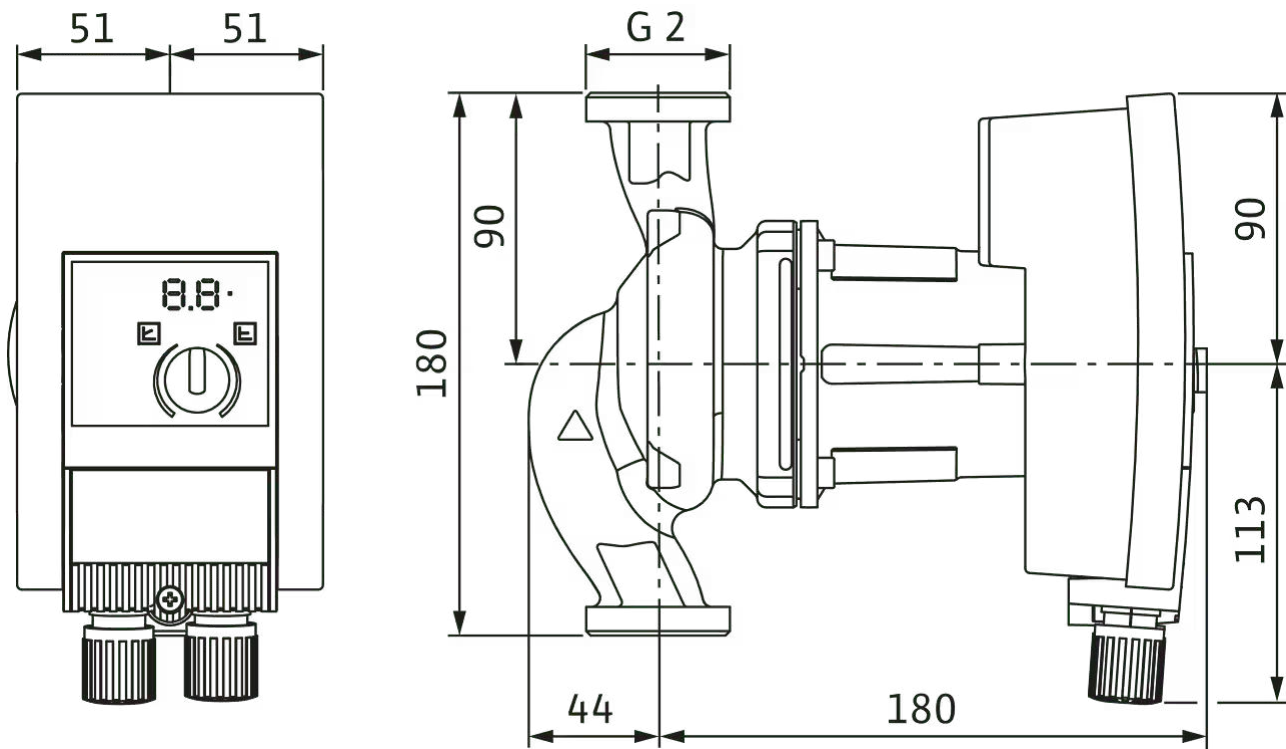
Digital input	Ext. OFF (via accessories Wilo-Connect module Yonos MAXO)
Digital output	SSM

Pump curves



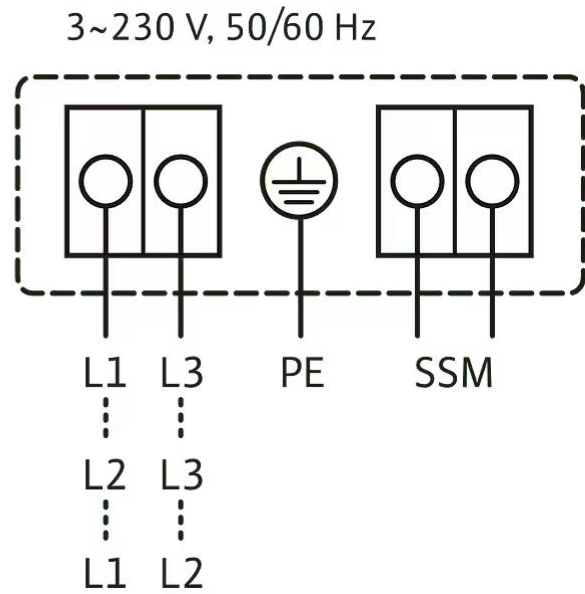
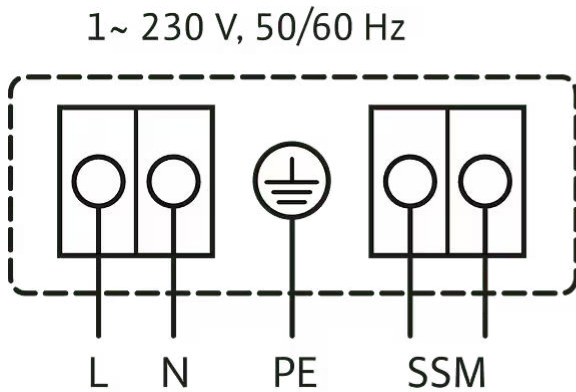
Dimensions and dimensions drawings

Yonos MAXO



## Wiring diagram

1~230V, 50/60 Hz



Collective fault signal

SSM: (NC contact in accordance with VDI 3814, load capacity 1 A, 250 V ~)

Standard: 1~230 V, 50/60 Hz

Option: 3~230 V, 50/60 Hz

## Ordering information

### Product data

Brand	Wilo
Product description	Yonos MAXO 30/0,5-10 PN 10
Article number	<b>2120643</b>
EAN number	4048482235905
Colour	green/black
Minimum order quantity	1
Date of sales availability	2013-09-01

### Dimension, weight

Length with packaging	300 mm
Length <i>L</i>	180 mm
Height with packaging	394 mm
Height <i>H</i>	224 mm
Width with packaging	200 mm
Width <i>W</i>	102 mm
Gross weight, approx. <i>m</i>	5.9 kg
Net weight, approx. <i>m</i>	4.6 kg

### Packaging

Packaging type	Cardboard box
Packaging property	Transport packaging
Pieces per pallet	48
Number per layer	16

## Tender text

High efficiency pump Wilo-Yonos MAXO electronically controlled,

Glandless circulator, synchronous motor according to ECM technology and integrated power control for continuous differential pressure control. Can be used for all heating, ventilation and air-conditioning applications.

Standard-equipped with:

- > Preselectable control modes for optimum load adjustment:  $\Delta p$ -c (differential pressure constant),  $\Delta p$ -v (differential pressure variable)
- > 3 speed stages (n = constant)

- > LED for setting the setpoint and displaying error messages
- > Electrical connection with the Wilo plug
- > Fault lamp and contact for collective fault signal

For flange-end pumps - flange versions:

- > Standard version for pumps DN 32 to DN 65: PN 6/10 combination flange (PN 16 flange according to EN 1092-2) for PN 6 and PN 16 counter flanges
- > Standard version for DN 80/DN 100 pumps: PN 6 flange (designed for PN 16 according to EN 1092-2) for PN 6 counter flange

## Operating Data

Fluid temperature <i>T</i>	-20 °C
Ambient temperature <i>T</i>	-20 °C
Maximum operating pressure <i>PN</i>	10 bar
Minimum suction head at 50 °C <i>m</i>	3 m
Minimum suction head at 95 °C <i>m</i>	10 m
Minimum suction head at 110 °C	16 m

## Motor data

Energy efficiency index (EEI)	0.20
Interference emission	EN 61800-3;2004+A1;2012 /residential area (C1)
Interference immunity	EN 61800-3;2004+A1;2012 /industrial environment (C2)
Mains connection	1~230 V, 50/60 Hz
Power consumption <i>P</i> <sub>1 max</sub>	190 W
Min. speed <i>n</i> <sub>min</sub>	1000 1/min
Max. speed <i>n</i> <sub>max</sub>	4450 1/min
Protection class motor	IPX4D
Threaded cable connection	2 x M20x1.5

## Materials

Pump housing	Grey cast iron
Impeller	PPE/PS-GF30
Shaft	Stainless steel
Bearing	Carbon-graphite

## Installation dimensions

Pipe connection on the suction side <i>DNs</i>	G 2
Pipe connection on the discharge side <i>DNd</i>	G 2
Port-to-port length <i>L0</i>	180 mm

## Ordering information

Brand	Wilo
Product description	Yonos MAXO 30/0,5-10 PN 10
Net weight, approx. <i>m</i>	4.6 kg
Article number	<b>2120643</b>

## Services



With Wilo as your partner, you can not only be sure of choosing high-quality product solutions, but also of benefiting from a comprehensive, worry-free package of well thought-out services. We collaborate to develop a service concept tailored to your individual needs; with our expertise and personal consultancy, we make sure that the operation of your systems is as energy-efficient, reliable and economical as possible. All the while our competent Wilo service technicians are ready to assist you with fast, reliable and on-time support.

## Recommended services

Wilo-Live Assistant Service	2216415
System Optimisation Glandless pumps	2219250
Energy Solutions Glandless pumps	2219285

## More suitable services

Extended warranty glandless pumps	2219589
Supervision Glandless pumps	2219320
Installation Glandless pumps	2219355
Commissioning Glandless pumps	2219390
Maintenance BASIC Glandless pumps	2219530
Maintenance COMFORT Glandless pumps	2219416
Maintenance PREMIUM Glandless pumps	2219545
Repair Glandless pumps	2219609



## Data sheet

### Hydraulic data

Maximum operating pressure $P_N$	10 bar
Head max $H_{max}$	12.1 m
Flow max $Q_{max}$	11.8 m <sup>3</sup> /h
Minimum suction head at 50 °C $m$	3 m
Minimum suction head at 95 °C $m$	10 m
Minimum suction head at 110 °C	16 m
Min. fluid temperature $T_{min}$	-20 °C
Max. fluid temperature $T_{max}$	110 °C
Min. ambient temperature $T_{min}$	-20 °C
Max. ambient temperature $T_{max}$	40 °C

### Motor data

Energy efficiency index (EEI)	0.20
Mains connection	1~230 V ±10%, 50/60 Hz
Min current $I_{min}$	0.15 A
Max current $I_{max}$	1.33 A
Rated power $P_2$	200 W
Min. speed $n_{min}$	1000 1/min
Max. speed $n_{max}$	4800 1/min
Power consumption $P_{1min}$	10 W
Power consumption $P_{1max}$	305 W
Interference emission	EN 61800-3;2004+A1;2012 /residential area (C1)
Interference immunity	EN 61800-3;2004+A1;2012 /industrial environment (C2)
Threaded cable connection	2 x M20x1.5
Insulation class	F
Protection class	IPX4D

### Materials

Pump housing	Grey cast iron
Impeller	PPE/PS-GF30
Shaft	Stainless steel
Bearing	Carbon-graphite

### Installation dimensions

Pipe connection on the discharge side <i>DNd</i>	G 2
Pipe connection on the suction side <i>DNs</i>	G 2
Port-to-port length <i>L0</i>	180 mm

### Equipment/function

#### Function

Control mode	$\Delta p$ -v for variable differential pressure
	$\Delta p$ -c for constant differential pressure
	Constant speed (3 speed stages)
Multi pump operation	Main/Standby (with Connect Module Yonos MAXO)
Display	Setpoint
	Fault signals (error codes)

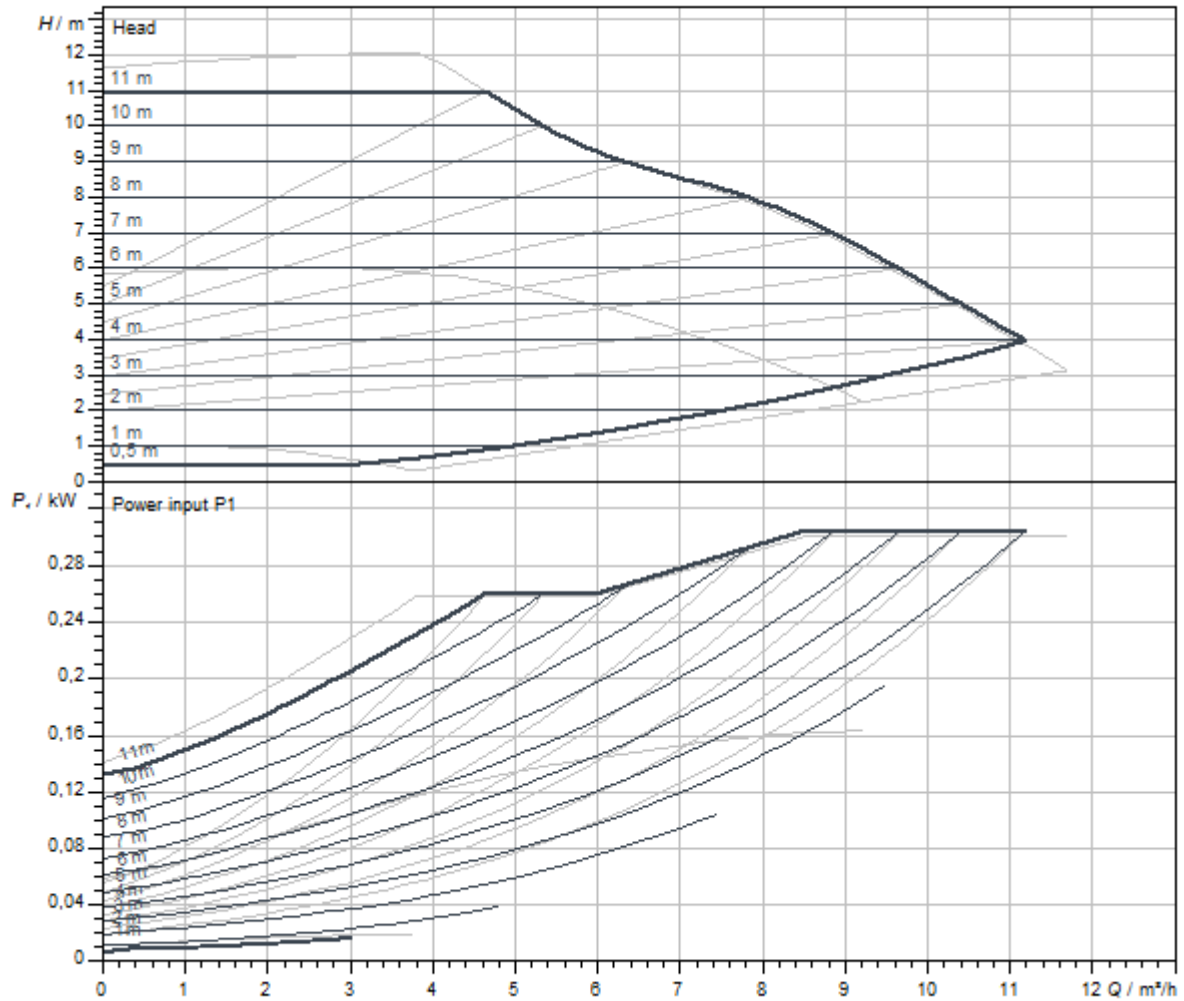
#### Equipment

Approvals and labels	CE
	VDE
	EAC
Display	LED segment display
Display information	Basic Version: LED display (small) for showing the set head or speed stage.
Pump control	Electronic-controlled pump (high efficiency pump)
Quick electrical connection	Wilo plug
Thermal insulation shell	As accessory
Blocking-current proof motor	yes
Particle filter	yes

#### Connectivity

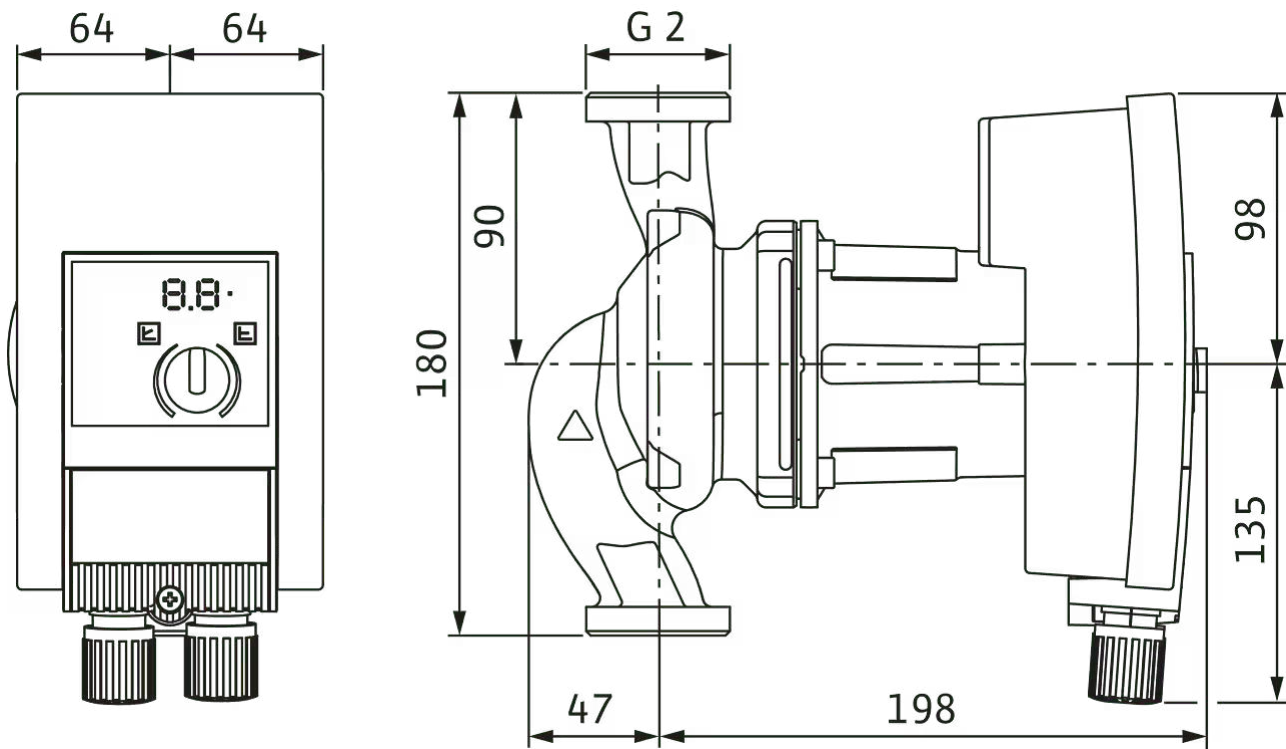
Digital input	Ext. OFF (via accessories Wilo-Connect module Yonos MAXO)
Digital output	SSM

Pump curves



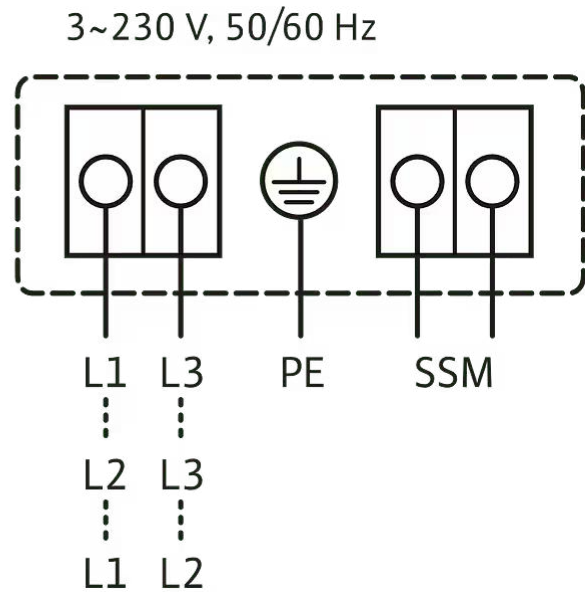
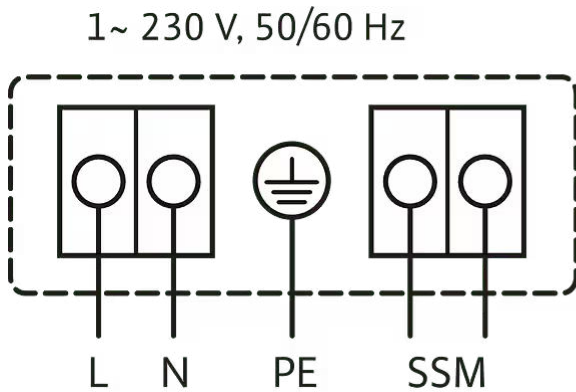
Dimensions and dimensions drawings

Yonos MAXO



## Wiring diagram

1~230V, 50/60 Hz



Collective fault signal

SSM:  
(NC contact in accordance with VDI 3814, load capacity 1 A, 250 V ~)

Standard: 1~230 V, 50/60 Hz

Option: 3~230 V, 50/60 Hz

## Ordering information

### Product data

Brand	Wilo
Product description	Yonos MAXO 30/0,5-12 PN 10
Article number	<b>2120644</b>
EAN number	4048482235912
Colour	green/black
Minimum order quantity	1
Date of sales availability	2013-09-01

### Dimension, weight

Length with packaging	400 mm
Length <i>L</i>	225 mm
Height with packaging	263 mm
Height <i>H</i>	244 mm
Width with packaging	300 mm
Width <i>W</i>	128 mm
Gross weight, approx. <i>m</i>	7 kg
Net weight, approx. <i>m</i>	5.4 kg

### Packaging

Packaging type	Cardboard box
Packaging property	Transport packaging
Pieces per pallet	32
Number per layer	8

## Tender text

High efficiency pump Wilo-Yonos MAXO electronically controlled,

Glandless circulator, synchronous motor according to ECM technology and integrated power control for continuous differential pressure control. Can be used for all heating, ventilation and air-conditioning applications.

Standard-equipped with:

- > Preselectable control modes for optimum load adjustment:  $\Delta p$ -c (differential pressure constant),  $\Delta p$ -v (differential pressure variable)
- > 3 speed stages (n = constant)

- > LED for setting the setpoint and displaying error messages
- > Electrical connection with the Wilo plug
- > Fault lamp and contact for collective fault signal

For flange-end pumps - flange versions:

- > Standard version for pumps DN 32 to DN 65: PN 6/10 combination flange (PN 16 flange according to EN 1092-2) for PN 6 and PN 16 counter flanges
- > Standard version for DN 80/DN 100 pumps: PN 6 flange (designed for PN 16 according to EN 1092-2) for PN 6 counter flange

## Operating Data

Fluid temperature <i>T</i>	-20 °C
Ambient temperature <i>T</i>	-20 °C
Maximum operating pressure <i>PN</i>	10 bar
Minimum suction head at 50 °C <i>m</i>	3 m
Minimum suction head at 95 °C <i>m</i>	10 m
Minimum suction head at 110 °C	16 m

## Motor data

Energy efficiency index (EEI)	0.20
Interference emission	EN 61800-3;2004+A1;2012 /residential area (C1)
Interference immunity	EN 61800-3;2004+A1;2012 /industrial environment (C2)
Mains connection	1~230 V, 50/60 Hz
Power consumption <i>P</i> <sub>1 max</sub>	305 W
Min. speed <i>n</i> <sub>min</sub>	1000 1/min
Max. speed <i>n</i> <sub>max</sub>	4800 1/min
Protection class motor	IPX4D
Threaded cable connection	2 x M20x1.5

## Materials

Pump housing	Grey cast iron
Impeller	PPE/PS-GF30
Shaft	Stainless steel
Bearing	Carbon-graphite

## Installation dimensions

Pipe connection on the suction side <i>DNs</i>	G 2
Pipe connection on the discharge side <i>DNd</i>	G 2
Port-to-port length <i>L0</i>	180 mm

## Ordering information

Brand	Wilo
Product description	Yonos MAXO 30/0,5-12 PN 10
Net weight, approx. <i>m</i>	5.4 kg
Article number	<b>2120644</b>

## Services

With Wilo as your partner, you can not only be sure of choosing high-quality product solutions, but also of benefiting from a comprehensive, worry-free package of well thought-out services. We collaborate to develop a service concept tailored to your individual needs; with our expertise and personal consultancy, we make sure that the operation of your systems is as energy-efficient, reliable and economical as possible. All the while our competent Wilo service technicians are ready to assist you with fast, reliable and on-time support.

### Recommended services

Wilo-Live Assistant Service	2216415
System Optimisation Glandless pumps	2219250
Energy Solutions Glandless pumps	2219285

### More suitable services

Extended warranty glandless pumps	2219589
Supervision Glandless pumps	2219320
Installation Glandless pumps	2219355
Commissioning Glandless pumps	2219390
Maintenance BASIC Glandless pumps	2219530
Maintenance COMFORT Glandless pumps	2219416
Maintenance PREMIUM Glandless pumps	2219545
Repair Glandless pumps	2219609





## Data sheet

### Hydraulic data

Maximum operating pressure $P_N$	10 bar
Head max $H_{max}$	10.8 m
Flow max $Q_{max}$	10.6 m <sup>3</sup> /h
Minimum suction head at 50 °C $m$	3 m
Minimum suction head at 95 °C $m$	10 m
Minimum suction head at 110 °C	16 m
Min. fluid temperature $T_{min}$	-20 °C
Max. fluid temperature $T_{max}$	110 °C
Min. ambient temperature $T_{min}$	-20 °C
Max. ambient temperature $T_{max}$	40 °C

### Motor data

Energy efficiency index (EEI)	0.20
Mains connection	1~230 V ±10%, 50/60 Hz
Min current $I_{min}$	0.1 A
Max current $I_{max}$	1.5 A
Rated power $P_2$	140 W
Min. speed $n_{min}$	1000 1/min
Max. speed $n_{max}$	4450 1/min
Power consumption $P_{1 min}$	5 W
Power consumption $P_{1 max}$	190 W
Interference emission	EN 61800-3;2004+A1;2012 /residential area (C1)
Interference immunity	EN 61800-3;2004+A1;2012 /industrial environment (C2)
Threaded cable connection	2 x M20x1.5
Insulation class	F
Protection class	IPX4D

### Materials

Pump housing	Grey cast iron
Impeller	PPE/PS-GF30
Shaft	Stainless steel
Bearing	Carbon-graphite

### Installation dimensions

Pipe connection on the discharge side <i>DNd</i>	DN 32
Pipe connection on the suction side <i>DNs</i>	DN 32
Port-to-port length <i>L0</i>	220 mm

### Equipment/function

#### Function

Control mode	$\Delta p-v$ for variable differential pressure
	$\Delta p-c$ for constant differential pressure
	Constant speed (3 speed stages)
Multi pump operation	Main/Standby (with Connect Module Yonos MAXO)
Display	Setpoint
	Fault signals (error codes)

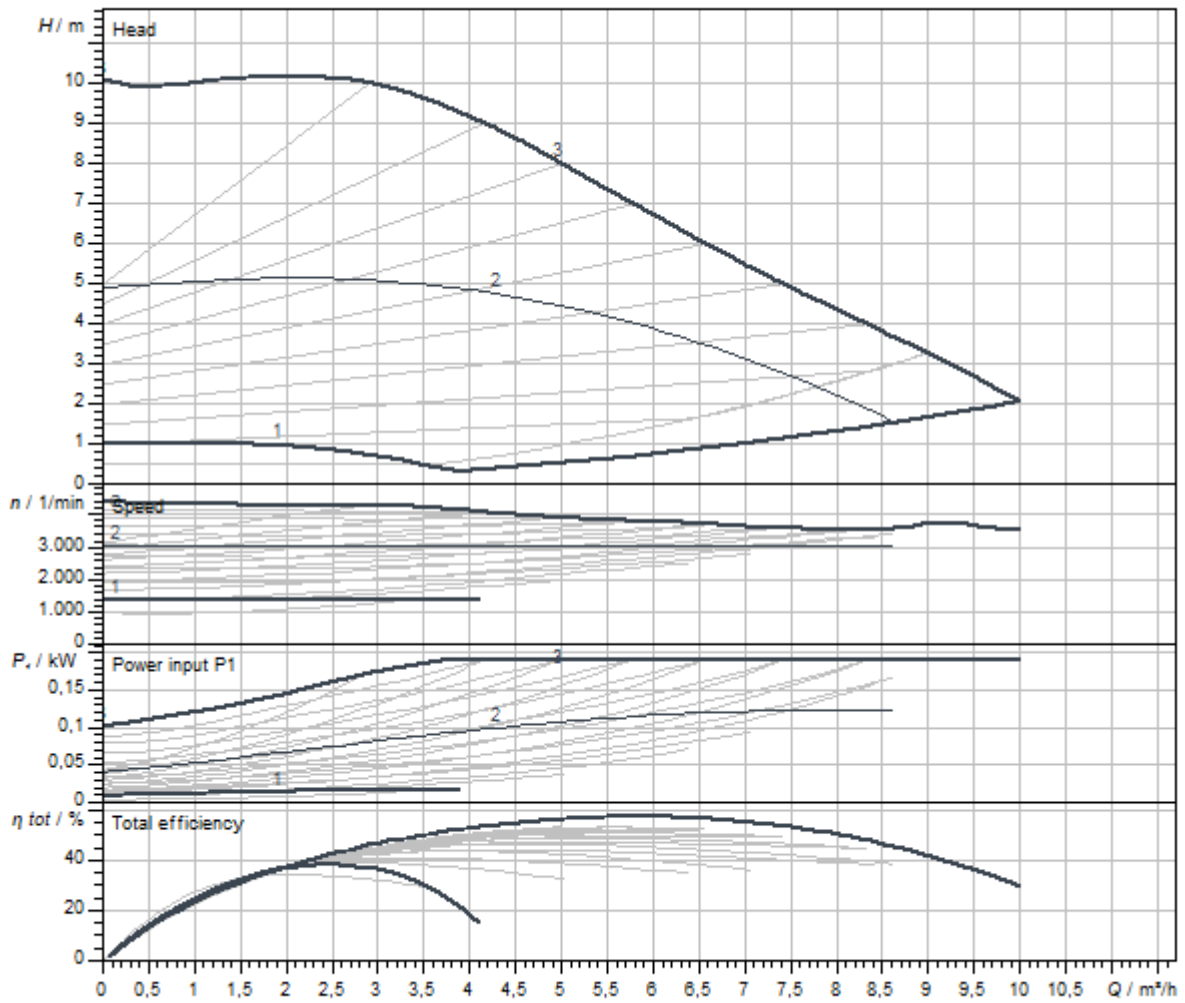
#### Equipment

Approvals and labels	CE
	VDE
	EAC
Display	LED segment display
Display information	Basic Version: LED display (small) for showing the set head or speed stage.
Pump control	Electronic-controlled pump (high efficiency pump)
Quick electrical connection	Wilo plug
Thermal insulation shell	As accessory
Blocking-current proof motor	yes
Particle filter	yes

#### Connectivity

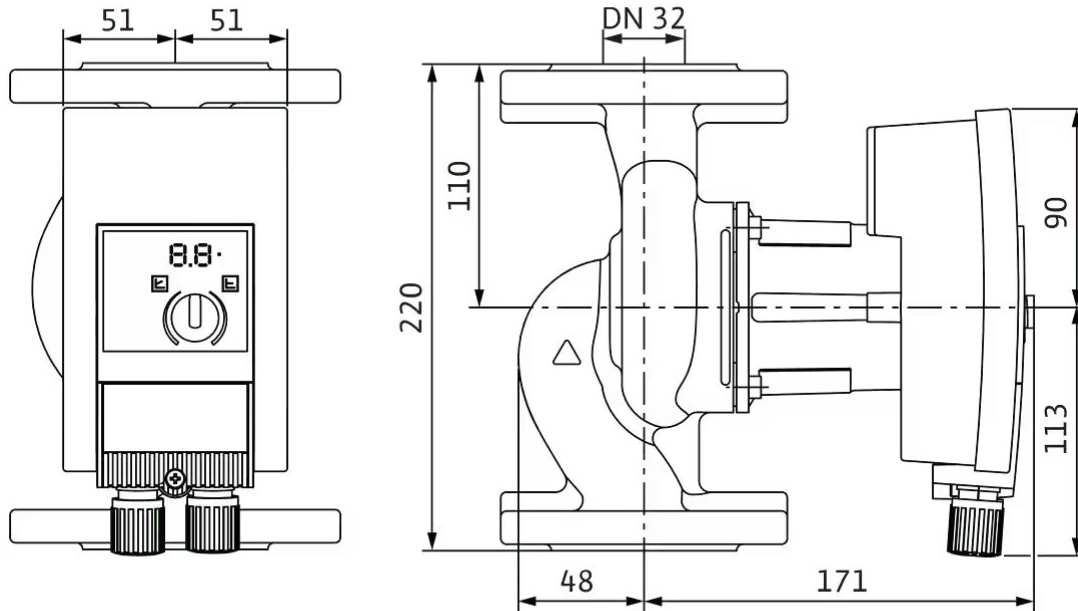
Digital input	Ext. OFF (via accessories Wilo-Connect module Yonos MAXO)
Digital output	SSM

Pump curves



Dimensions and dimensions drawings

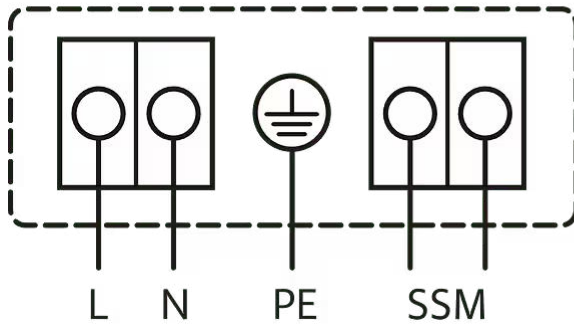
NO VALUE



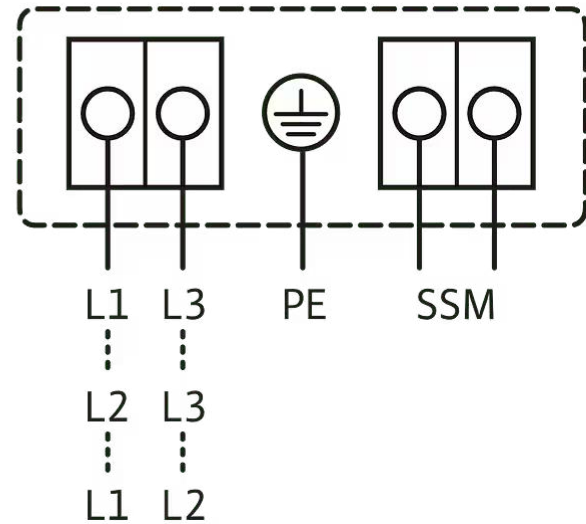
## Wiring diagram

1~230V, 50/60 Hz

1~ 230 V, 50/60 Hz



3~230 V, 50/60 Hz



Collective fault signal

SSM:  
(NC contact in accordance with VDI 3814, load capacity 1 A, 250 V ~)

Standard: 1~230 V, 50/60 Hz

Option: 3~230 V, 50/60 Hz

## Ordering information

### Product data

Brand	Wilo
Product description	Yonos MAXO 32/0,5-10 PN6/10
Article number	<b>2210113</b>
EAN number	4062679000701
Colour	green/black
Minimum order quantity	1
Date of sales availability	2020-01-01

### Dimension, weight

Length with packaging	400 mm
Length <i>L</i>	236 mm
Height with packaging	395 mm
Height <i>H</i>	223 mm
Width with packaging	300 mm
Width <i>W</i>	132 mm
Gross weight, approx. <i>m</i>	9.4 kg
Net weight, approx. <i>m</i>	7.8 kg

### Packaging

Packaging type	Cardboard box
Packaging property	Transport packaging
Pieces per pallet	16
Number per layer	8

## Tender text

High efficiency pump Wilo-Yonos MAXO electronically controlled,

Glandless circulator, synchronous motor according to ECM technology and integrated power control for continuous differential pressure control. Can be used for all heating, ventilation and air-conditioning applications.

Standard-equipped with:

- > Preselectable control modes for optimum load adjustment:  $\Delta p$ -c (differential pressure constant),  $\Delta p$ -v (differential pressure variable)
- > 3 speed stages (n = constant)

- > LED for setting the setpoint and displaying error messages
- > Electrical connection with the Wilo plug
- > Fault lamp and contact for collective fault signal

For flange-end pumps - flange versions:

- > Standard version for pumps DN 32 to DN 65: PN 6/10 combination flange (PN 16 flange according to EN 1092-2) for PN 6 and PN 16 counter flanges
- > Standard version for DN 80/DN 100 pumps: PN 6 flange (designed for PN 16 according to EN 1092-2) for PN 6 counter flange

## Operating Data

Fluid temperature <i>T</i>	-20 °C
Ambient temperature <i>T</i>	-20 °C
Maximum operating pressure <i>PN</i>	10 bar
Minimum suction head at 50 °C <i>m</i>	3 m
Minimum suction head at 95 °C <i>m</i>	10 m
Minimum suction head at 110 °C	16 m

## Motor data

Energy efficiency index (EEI)	0.20
Interference emission	EN 61800-3;2004+A1;2012 /residential area (C1)
Interference immunity	EN 61800-3;2004+A1;2012 /industrial environment (C2)
Mains connection	1~230 V, 50/60 Hz
Power consumption <i>P</i> <sub>1 max</sub>	190 W
Min. speed <i>n</i> <sub>min</sub>	1000 1/min
Max. speed <i>n</i> <sub>max</sub>	4450 1/min
Protection class motor	IPX4D
Threaded cable connection	2 x M20x1.5

## Materials

Pump housing	Grey cast iron
Impeller	PPE/PS-GF30
Shaft	Stainless steel
Bearing	Carbon-graphite

## Installation dimensions

Pipe connection on the suction side <i>DNs</i>	DN 32
Pipe connection on the discharge side <i>DNd</i>	DN 32
Port-to-port length <i>L0</i>	220 mm

## Ordering information

Brand	Wilo
Product description	Yonos MAXO 32/0,5-10 PN6/10
Net weight, approx. <i>m</i>	7.8 kg
Article number	<b>2210113</b>

## Services

With Wilo as your partner, you can not only be sure of choosing high-quality product solutions, but also of benefiting from a comprehensive, worry-free package of well thought-out services. We collaborate to develop a service concept tailored to your individual needs; with our expertise and personal consultancy, we make sure that the operation of your systems is as energy-efficient, reliable and economical as possible. All the while our competent Wilo service technicians are ready to assist you with fast, reliable and on-time support.

## Recommended services

Wilo-Live Assistant Service	2216415
System Optimisation Glandless pumps	2219250
Energy Solutions Glandless pumps	2219285

## More suitable services

Extended warranty glandless pumps	2219589
Supervision Glandless pumps	2219320
Installation Glandless pumps	2219355
Commissioning Glandless pumps	2219390
Maintenance BASIC Glandless pumps	2219530
Maintenance COMFORT Glandless pumps	2219416
Maintenance PREMIUM Glandless pumps	2219545
Repair Glandless pumps	2219609



## Data sheet

### Hydraulic data

Maximum operating pressure $P_N$	10 bar
Head max $H_{max}$	9.6 m
Flow max $Q_{max}$	16.5 m <sup>3</sup> /h
Minimum suction head at 50 °C $m$	3 m
Minimum suction head at 95 °C $m$	10 m
Minimum suction head at 110 °C	16 m
Min. fluid temperature $T_{min}$	-20 °C
Max. fluid temperature $T_{max}$	110 °C
Min. ambient temperature $T_{min}$	-20 °C
Max. ambient temperature $T_{max}$	40 °C

### Motor data

Energy efficiency index (EEI)	0.20
Mains connection	1~230 V ±10%, 50/60 Hz
Min current $I_{min}$	0.15 A
Max current $I_{max}$	1.33 A
Rated power $P_2$	200 W
Min. speed $n_{min}$	1000 1/min
Max. speed $n_{max}$	4800 1/min
Power consumption $P_{1min}$	10 W
Power consumption $P_{1max}$	305 W
Interference emission	EN 61800-3;2004+A1;2012 /residential area (C1)
Interference immunity	EN 61800-3;2004+A1;2012 /industrial environment (C2)
Threaded cable connection	2 x M20x1.5
Insulation class	F
Protection class	IPX4D

### Materials

Pump housing	Grey cast iron
Impeller	PPE/PS-GF30
Shaft	Stainless steel
Bearing	Carbon-graphite



### Installation dimensions

Pipe connection on the discharge side <i>DNd</i>	DN 32
Pipe connection on the suction side <i>DNs</i>	DN 32
Port-to-port length <i>L0</i>	220 mm

### Equipment/function

#### Function

Control mode	$\Delta p-v$ for variable differential pressure
	$\Delta p-c$ for constant differential pressure
	Constant speed (3 speed stages)
Multi pump operation	Main/Standby (with Connect Module Yonos MAXO)
Display	Setpoint
	Fault signals (error codes)

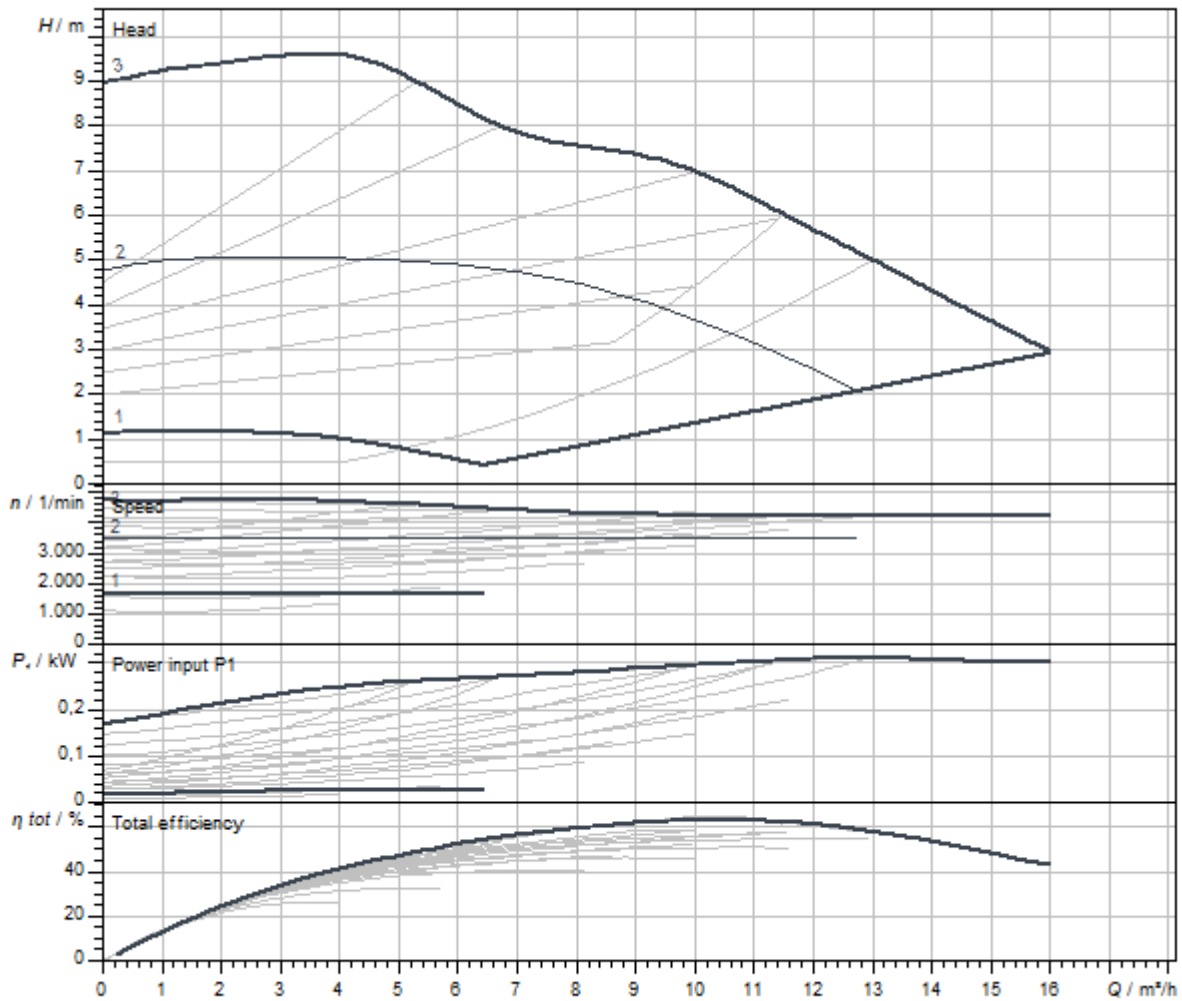
#### Equipment

Approvals and labels	CE
	VDE
	EAC
Display	LED segment display
Display information	Basic Version: LED display (small) for showing the set head or speed stage.
Pump control	Electronic-controlled pump (high efficiency pump)
Quick electrical connection	Wilo plug
Thermal insulation shell	As accessory
Blocking-current proof motor	yes
Particle filter	yes

#### Connectivity

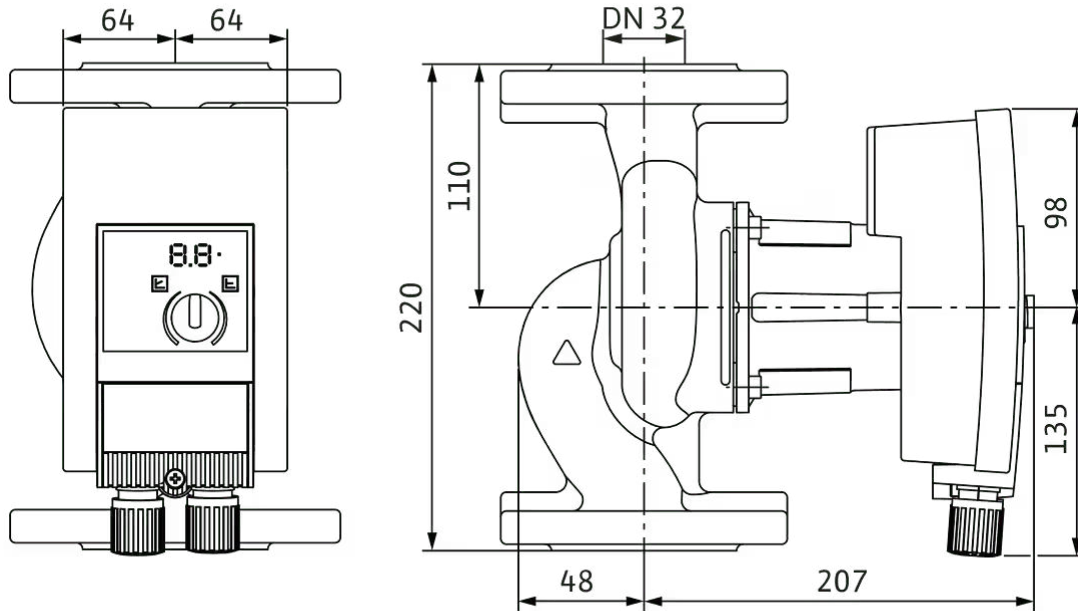
Digital input	Ext. OFF (via accessories Wilo-Connect module Yonos MAXO)
Digital output	SSM

Pump curves



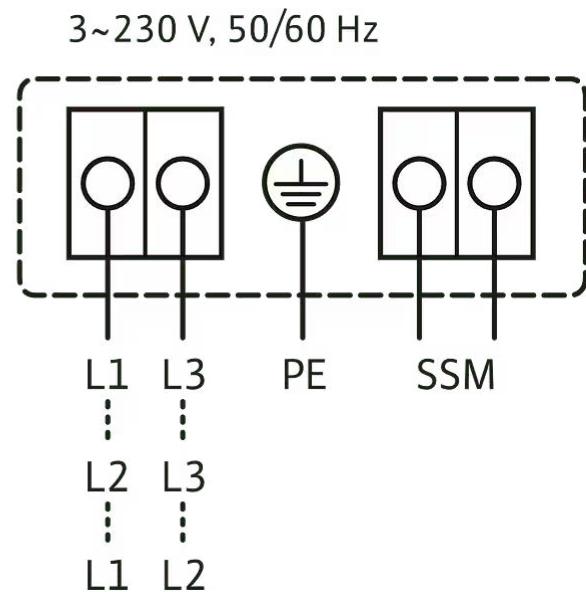
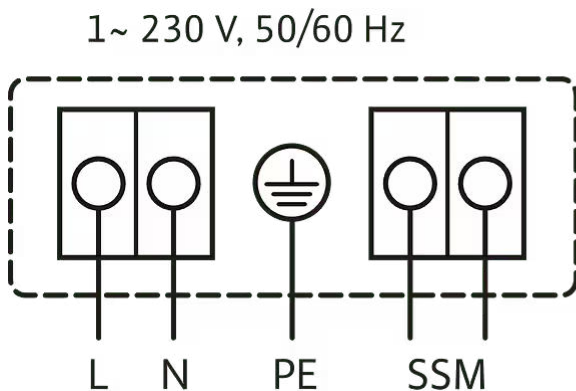
Dimensions and dimensions drawings

NO VALUE



## Wiring diagram

1~230V, 50/60 Hz



Collective fault signal

SSM: (NC contact in accordance with VDI 3814, load capacity 1 A, 250 V ~)

Standard: 1~230 V, 50/60 Hz

Option: 3~230 V, 50/60 Hz

## Ordering information

### Product data

Brand	Wilo
Product description	Yonos MAXO 32/0,5-11 PN6/10
Article number	<b>2210114</b>
EAN number	4062679000718
Colour	green/black
Minimum order quantity	1
Date of sales availability	2020-01-01

### Dimension, weight

Length with packaging	400 mm
Length <i>L</i>	245 mm
Height with packaging	263 mm
Height <i>H</i>	272 mm
Width with packaging	300 mm
Width <i>W</i>	146 mm
Gross weight, approx. <i>m</i>	11 kg
Net weight, approx. <i>m</i>	9.2 kg

### Packaging

Packaging type	Cardboard box
Packaging property	Transport packaging
Pieces per pallet	32
Number per layer	8

## Tender text

High efficiency pump Wilo-Yonos MAXO electronically controlled,

Glandless circulator, synchronous motor according to ECM technology and integrated power control for continuous differential pressure control. Can be used for all heating, ventilation and air-conditioning applications.

Standard-equipped with:

- > Preselectable control modes for optimum load adjustment:  $\Delta p$ -c (differential pressure constant),  $\Delta p$ -v (differential pressure variable)
- > 3 speed stages (n = constant)

- > LED for setting the setpoint and displaying error messages
- > Electrical connection with the Wilo plug
- > Fault lamp and contact for collective fault signal

For flange-end pumps - flange versions:

- > Standard version for pumps DN 32 to DN 65: PN 6/10 combination flange (PN 16 flange according to EN 1092-2) for PN 6 and PN 16 counter flanges
- > Standard version for DN 80/DN 100 pumps: PN 6 flange (designed for PN 16 according to EN 1092-2) for PN 6 counter flange

## Operating Data

Fluid temperature <i>T</i>	-20 °C
Ambient temperature <i>T</i>	-20 °C
Maximum operating pressure <i>PN</i>	10 bar
Minimum suction head at 50 °C <i>m</i>	3 m
Minimum suction head at 95 °C <i>m</i>	10 m
Minimum suction head at 110 °C	16 m

## Motor data

Energy efficiency index (EEI)	0.20
Interference emission	EN 61800-3;2004+A1;2012 /residential area (C1)
Interference immunity	EN 61800-3;2004+A1;2012 /industrial environment (C2)
Mains connection	1~230 V, 50/60 Hz
Power consumption <i>P</i> <sub>1 max</sub>	305 W
Min. speed <i>n</i> <sub>min</sub>	1000 1/min
Max. speed <i>n</i> <sub>max</sub>	4800 1/min
Protection class motor	IPX4D
Threaded cable connection	2 x M20x1.5

## Materials

Pump housing	Grey cast iron
Impeller	PPE/PS-GF30
Shaft	Stainless steel
Bearing	Carbon-graphite

## Installation dimensions

Pipe connection on the suction side <i>DNs</i>	DN 32
Pipe connection on the discharge side <i>DNd</i>	DN 32
Port-to-port length <i>L0</i>	220 mm

## Ordering information

Brand	Wilo
Product description	Yonos MAXO 32/0,5-11 PN6/10
Net weight, approx. <i>m</i>	9.2 kg
Article number	<b>2210114</b>

## Services

With Wilo as your partner, you can not only be sure of choosing high-quality product solutions, but also of benefiting from a comprehensive, worry-free package of well thought-out services. We collaborate to develop a service concept tailored to your individual needs; with our expertise and personal consultancy, we make sure that the operation of your systems is as energy-efficient, reliable and economical as possible. All the while our competent Wilo service technicians are ready to assist you with fast, reliable and on-time support.

## Recommended services

Wilo-Live Assistant Service	2216415
System Optimisation Glandless pumps	2219250
Energy Solutions Glandless pumps	2219285

## More suitable services

Extended warranty glandless pumps	2219589
Supervision Glandless pumps	2219320
Installation Glandless pumps	2219355
Commissioning Glandless pumps	2219390
Maintenance BASIC Glandless pumps	2219530
Maintenance COMFORT Glandless pumps	2219416
Maintenance PREMIUM Glandless pumps	2219545
Repair Glandless pumps	2219609



## Data sheet

### Hydraulic data

Maximum operating pressure $P_N$	10 bar
Head max $H_{max}$	5.5 m
Flow max $Q_{max}$	12.7 m <sup>3</sup> /h
Minimum suction head at 50 °C $m$	3 m
Minimum suction head at 95 °C $m$	10 m
Minimum suction head at 110 °C	16 m
Min. fluid temperature $T_{min}$	-20 °C
Max. fluid temperature $T_{max}$	110 °C
Min. ambient temperature $T_{min}$	-20 °C
Max. ambient temperature $T_{max}$	40 °C

### Motor data

Energy efficiency index (EEI)	0.20
Mains connection	1~230 V ±10%, 50/60 Hz
Min current $I_{min}$	0.09 A
Max current $I_{max}$	1 A
Rated power $P_2$	90 W
Min. speed $n_{min}$	1200 1/min
Max. speed $n_{max}$	3700 1/min
Power consumption $P_{1min}$	7 W
Power consumption $P_{1max}$	120 W
Interference emission	EN 61800-3;2004+A1;2012 /residential area (C1)
Interference immunity	EN 61800-3;2004+A1;2012 /industrial environment (C2)
Threaded cable connection	2 x M20x1.5
Insulation class	F
Protection class	IPX4D

### Materials

Pump housing	Grey cast iron
Impeller	PPS-GF40
Shaft	Stainless steel
Bearing	Carbon-graphite

### Installation dimensions

Pipe connection on the discharge side <i>DNd</i>	DN 40
Pipe connection on the suction side <i>DNs</i>	DN 40
Port-to-port length <i>L0</i>	220 mm

### Equipment/function

#### Function

Control mode	$\Delta p-v$ for variable differential pressure
	$\Delta p-c$ for constant differential pressure
	Constant speed (3 speed stages)
Multi pump operation	Main/Standby (with Connect Module Yonos MAXO)
Display	Setpoint
	Fault signals (error codes)

#### Equipment

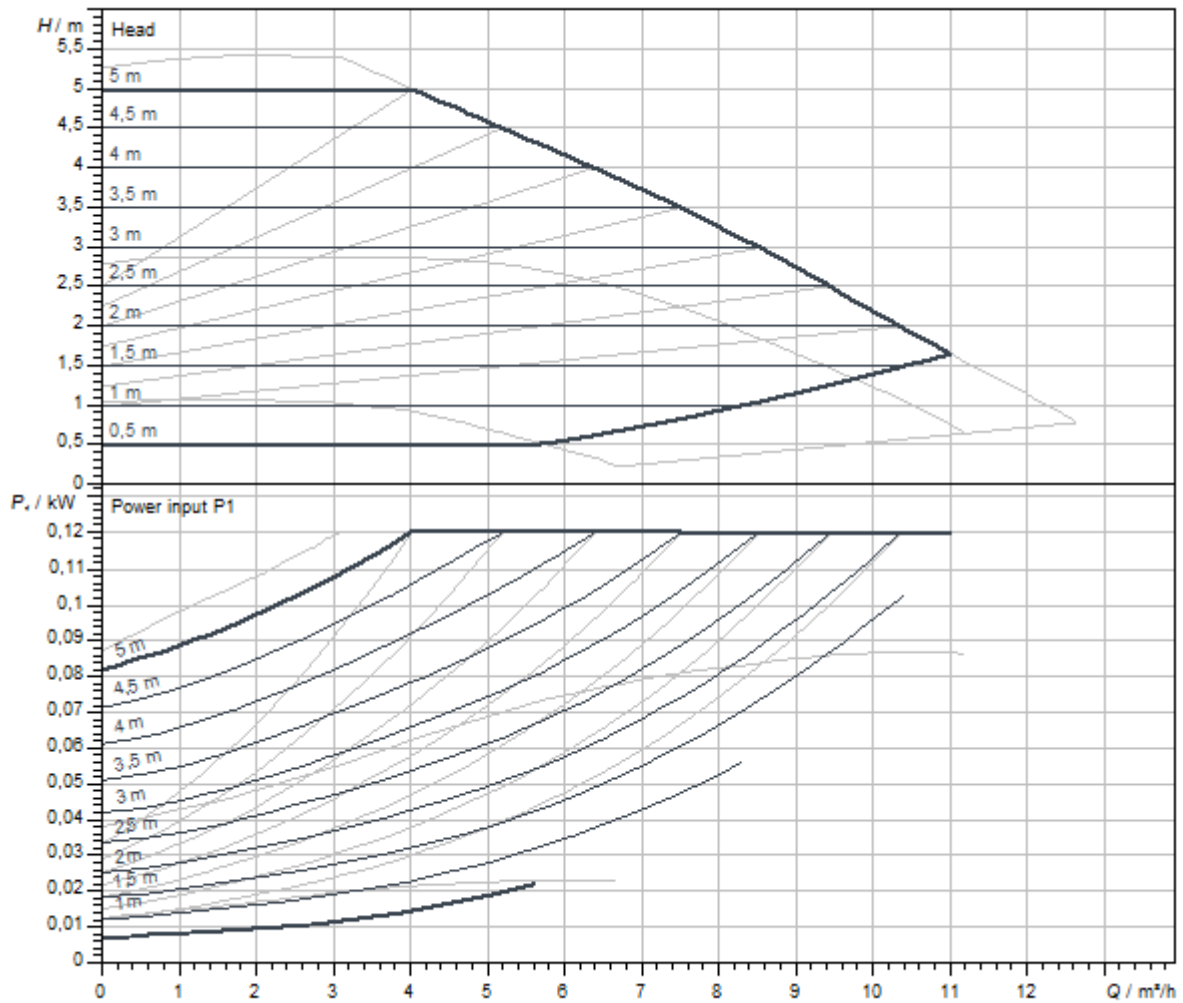
Approvals and labels	CE
	VDE
	EAC
Display	LED segment display
Display information	Basic Version: LED display (small) for showing the set head or speed stage.
Pump control	Electronic-controlled pump (high efficiency pump)
Quick electrical connection	Wilo plug
Thermal insulation shell	As accessory
Blocking-current proof motor	yes
Particle filter	yes

#### Connectivity

Digital input	Ext. OFF (via accessories Wilo-Connect module Yonos MAXO)
Digital output	SSM

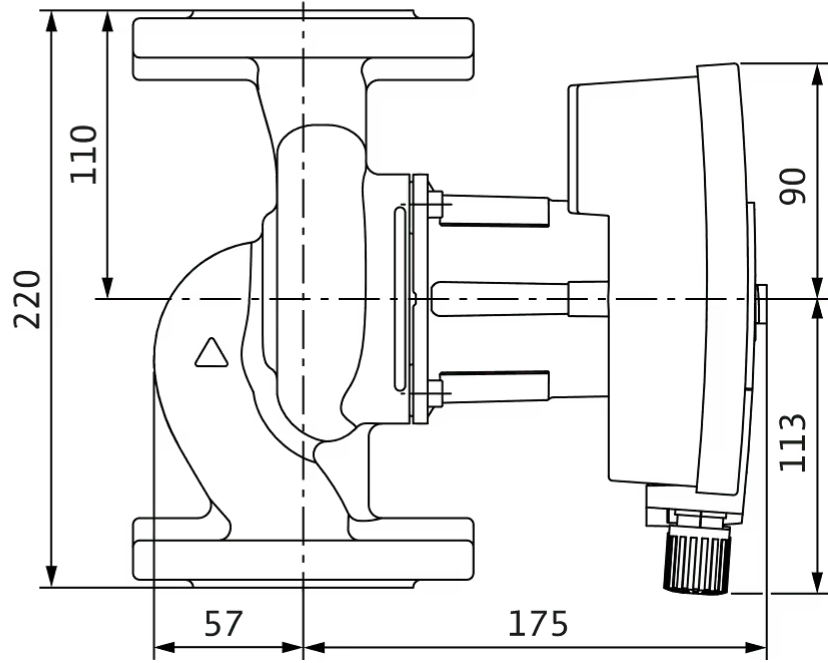
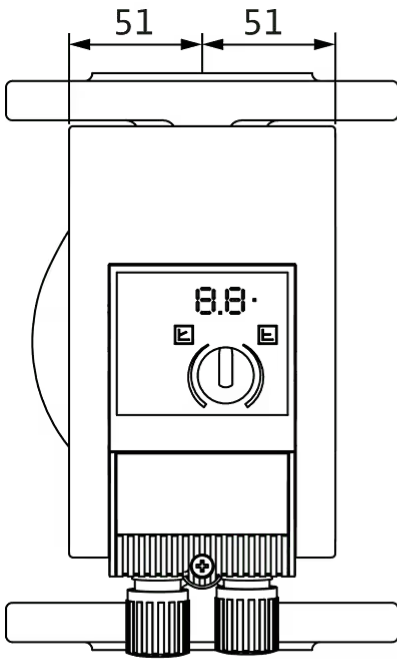


Pump curves



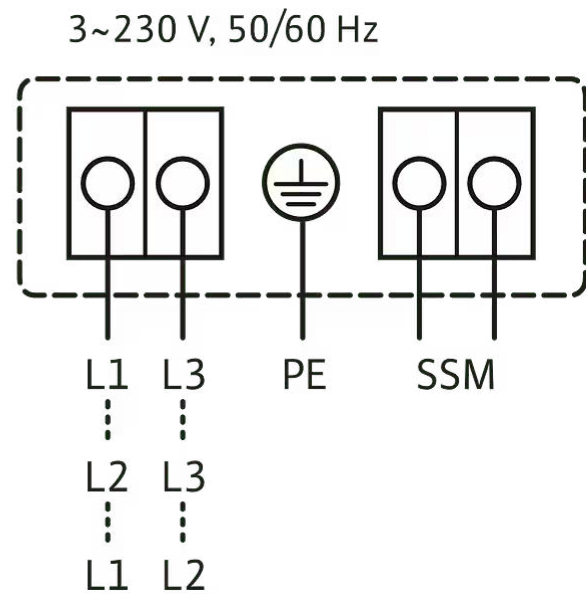
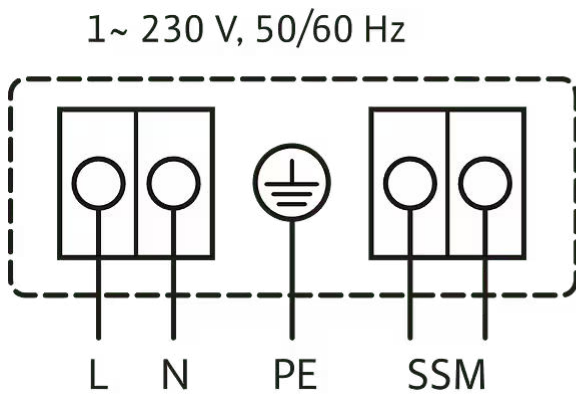
Dimensions and dimensions drawings

Yonos MAXO 40/0,5-4



## Wiring diagram

1~230V, 50/60 Hz



Collective fault signal

SSM: (NC contact in accordance with VDI 3814, load capacity 1 A, 250 V ~)

Standard: 1~230 V, 50/60 Hz

Option: 3~230 V, 50/60 Hz

## Ordering information

### Product data

Brand	Wilo
Product description	Yonos MAXO 40/0,5-4 PN 6/10
Article number	<b>2120645</b>
EAN number	4048482235929
Colour	green/black
Minimum order quantity	1
Date of sales availability	2013-09-01

### Dimension, weight

Length with packaging	400 mm
Length <i>L</i>	223 mm
Height with packaging	395 mm
Height <i>H</i>	240 mm
Width with packaging	300 mm
Width <i>W</i>	150 mm
Gross weight, approx. <i>m</i>	10.2 kg
Net weight, approx. <i>m</i>	8.6 kg

### Packaging

Packaging type	Cardboard box
Packaging property	Transport packaging
Pieces per pallet	16
Number per layer	8

## Tender text

High efficiency pump Wilo-Yonos MAXO electronically controlled,

Glandless circulator, synchronous motor according to ECM technology and integrated power control for continuous differential pressure control. Can be used for all heating, ventilation and air-conditioning applications.

Standard-equipped with:

- > Preselectable control modes for optimum load adjustment:  $\Delta p$ -c (differential pressure constant),  $\Delta p$ -v (differential pressure variable)
- > 3 speed stages (n = constant)

- > LED for setting the setpoint and displaying error messages
- > Electrical connection with the Wilo plug
- > Fault lamp and contact for collective fault signal

For flange-end pumps - flange versions:

- > Standard version for pumps DN 32 to DN 65: PN 6/10 combination flange (PN 16 flange according to EN 1092-2) for PN 6 and PN 16 counter flanges
- > Standard version for DN 80/DN 100 pumps: PN 6 flange (designed for PN 16 according to EN 1092-2) for PN 6 counter flange

## Operating Data

Fluid temperature <i>T</i>	-20 °C
Ambient temperature <i>T</i>	-20 °C
Maximum operating pressure <i>PN</i>	10 bar
Minimum suction head at 50 °C <i>m</i>	3 m
Minimum suction head at 95 °C <i>m</i>	10 m
Minimum suction head at 110 °C	16 m

## Motor data

Energy efficiency index (EEI)	0.20
Interference emission	EN 61800-3;2004+A1;2012 /residential area (C1)
Interference immunity	EN 61800-3;2004+A1;2012 /industrial environment (C2)
Mains connection	1~230 V, 50/60 Hz
Power consumption <i>P</i> <sub>1 max</sub>	120 W
Min. speed <i>n</i> <sub>min</sub>	1200 1/min
Max. speed <i>n</i> <sub>max</sub>	3700 1/min
Protection class motor	IPX4D
Threaded cable connection	2 x M20x1.5

## Materials

Pump housing	Grey cast iron
Impeller	PPS-GF40
Shaft	Stainless steel
Bearing	Carbon-graphite

## Installation dimensions

Pipe connection on the suction side <i>DNs</i>	DN 40
Pipe connection on the discharge side <i>DNd</i>	DN 40
Port-to-port length <i>L0</i>	220 mm

## Ordering information

Brand	Wilo
Product description	Yonos MAXO 40/0,5-4 PN 6/10
Net weight, approx. <i>m</i>	8.6 kg
Article number	<b>2120645</b>

## Services

With Wilo as your partner, you can not only be sure of choosing high-quality product solutions, but also of benefiting from a comprehensive, worry-free package of well thought-out services. We collaborate to develop a service concept tailored to your individual needs; with our expertise and personal consultancy, we make sure that the operation of your systems is as energy-efficient, reliable and economical as possible. All the while our competent Wilo service technicians are ready to assist you with fast, reliable and on-time support.

## Recommended services

Wilo-Live Assistant Service	2216415
System Optimisation Glandless pumps	2219250
Energy Solutions Glandless pumps	2219285

## More suitable services

Extended warranty glandless pumps	2219589
Supervision Glandless pumps	2219320
Installation Glandless pumps	2219355
Commissioning Glandless pumps	2219390
Maintenance BASIC Glandless pumps	2219530
Maintenance COMFORT Glandless pumps	2219416
Maintenance PREMIUM Glandless pumps	2219545
Repair Glandless pumps	2219609



## Data sheet

### Hydraulic data

Maximum operating pressure $P_N$	10 bar
Head max $H_{max}$	8.5 m
Flow max $Q_{max}$	18.1 m <sup>3</sup> /h
Minimum suction head at 50 °C $m$	3 m
Minimum suction head at 95 °C $m$	10 m
Minimum suction head at 110 °C	16 m
Min. fluid temperature $T_{min}$	-20 °C
Max. fluid temperature $T_{max}$	110 °C
Min. ambient temperature $T_{min}$	-20 °C
Max. ambient temperature $T_{max}$	40 °C

### Motor data

Energy efficiency index (EEI)	0.20
Mains connection	1~230 V ±10%, 50/60 Hz
Min current $I_{min}$	0.15 A
Max current $I_{max}$	1.33 A
Rated power $P_2$	200 W
Min. speed $n_{min}$	1200 1/min
Max. speed $n_{max}$	4800 1/min
Power consumption $P_{1min}$	10 W
Power consumption $P_{1max}$	305 W
Interference emission	EN 61800-3;2004+A1;2012 /residential area (C1)
Interference immunity	EN 61800-3;2004+A1;2012 /industrial environment (C2)
Threaded cable connection	2 x M20x1.5
Insulation class	F
Protection class	IPX4D

### Materials

Pump housing	Grey cast iron
Impeller	PPS-GF40
Shaft	Stainless steel
Bearing	Carbon-graphite

### Installation dimensions

Pipe connection on the discharge side <i>DNd</i>	DN 40
Pipe connection on the suction side <i>DNs</i>	DN 40
Port-to-port length <i>L0</i>	220 mm

### Equipment/function

#### Function

Control mode	$\Delta p-v$ for variable differential pressure
	$\Delta p-c$ for constant differential pressure
	Constant speed (3 speed stages)
Multi pump operation	Main/Standby (with Connect Module Yonos MAXO)
Display	Setpoint
	Fault signals (error codes)

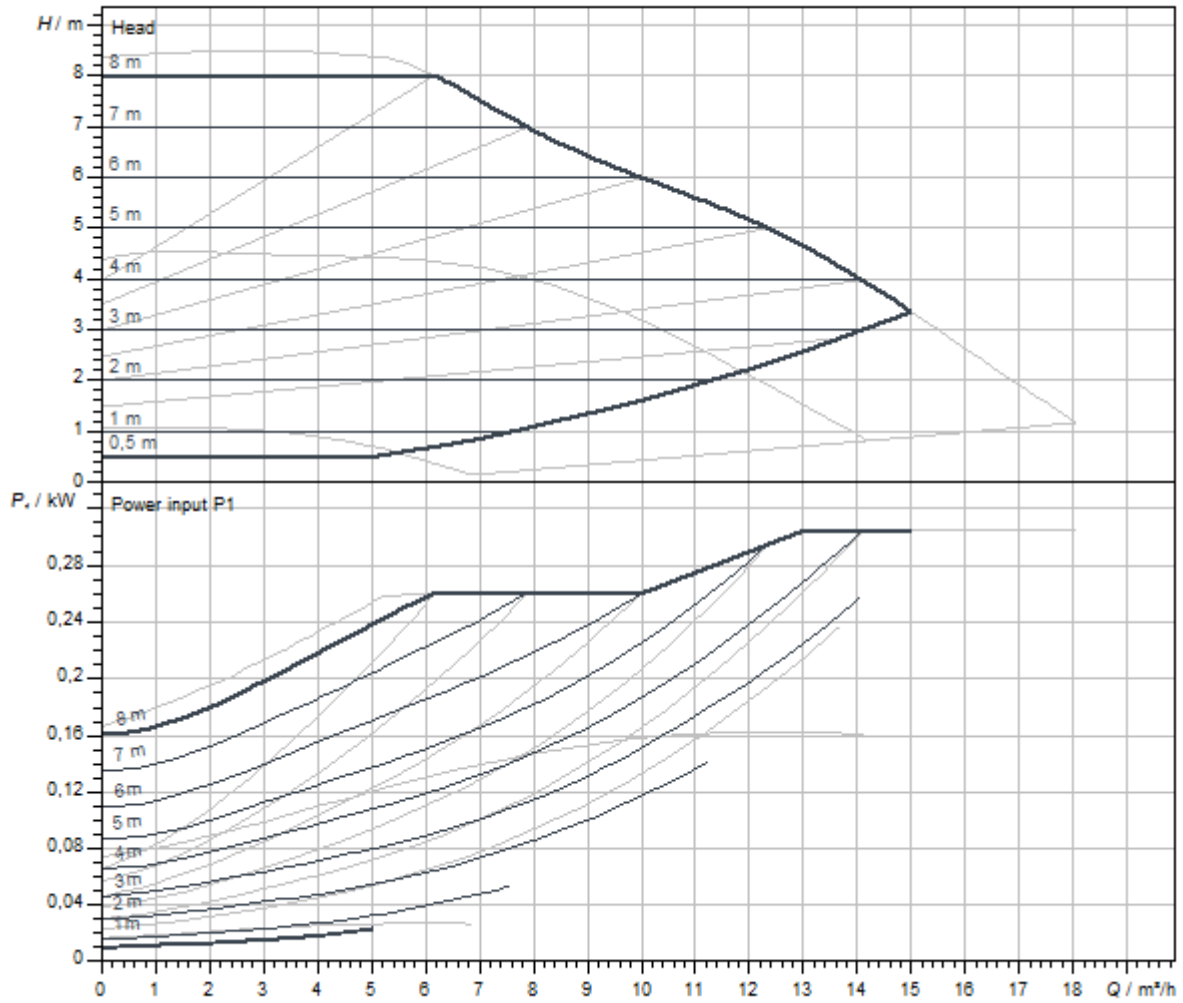
#### Equipment

Approvals and labels	CE
	VDE
	EAC
Display	LED segment display
Display information	Basic Version: LED display (small) for showing the set head or speed stage.
Pump control	Electronic-controlled pump (high efficiency pump)
Quick electrical connection	Wilo plug
Thermal insulation shell	As accessory
Blocking-current proof motor	yes
Particle filter	yes

#### Connectivity

Digital input	Ext. OFF (via accessories Wilo-Connect module Yonos MAXO)
Digital output	SSM

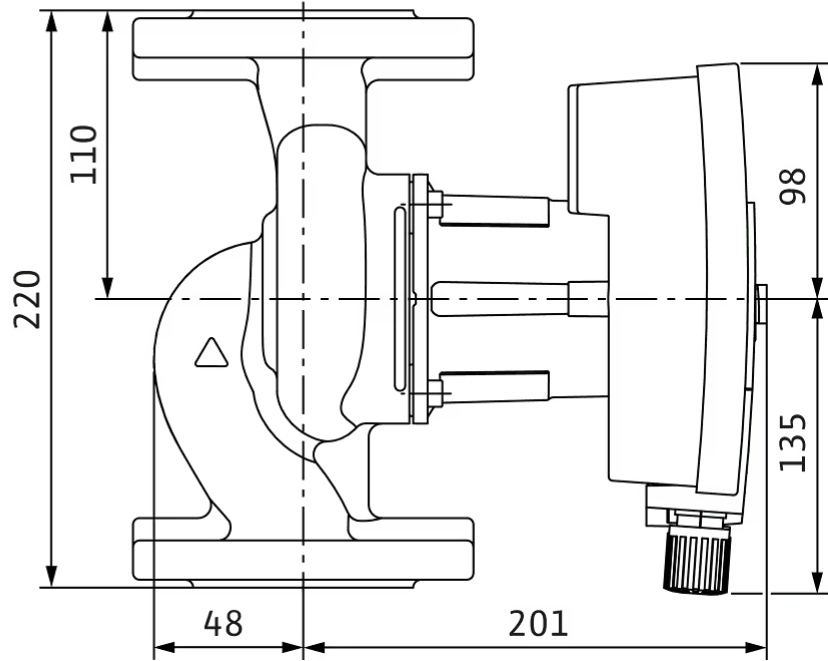
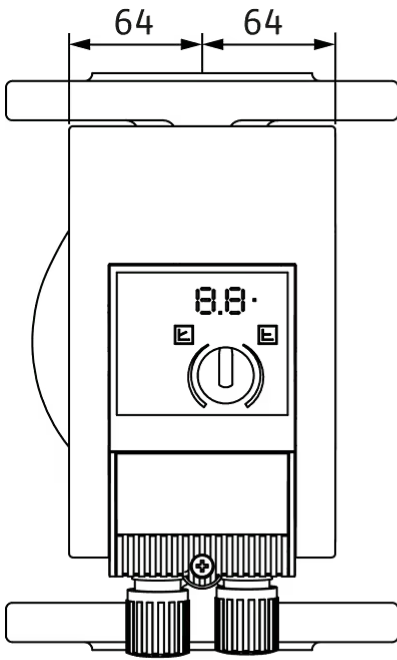
Pump curves





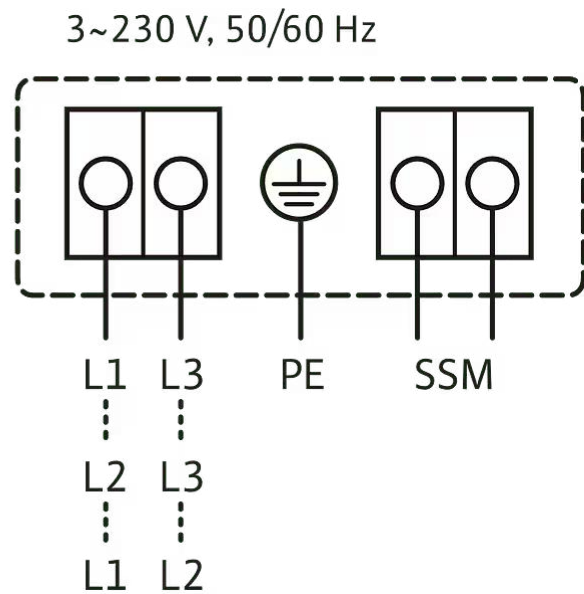
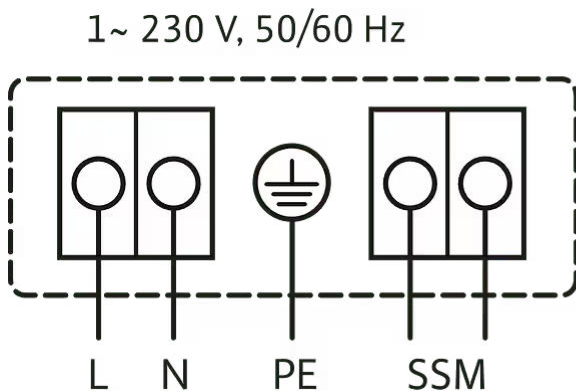
Dimensions and dimensions drawings

Yonos MAXO 40/0,5-8



## Wiring diagram

1~230V, 50/60 Hz



Collective fault signal  
SSM:  
(NC contact in accordance with VDI 3814, load capacity 1 A, 250 V ~)

Standard: 1~230 V, 50/60 Hz

Option: 3~230 V, 50/60 Hz

## Ordering information

### Product data

Brand	Wilo
Product description	Yonos MAXO 40/0,5-8 PN 6/10
Article number	<b>2120646</b>
EAN number	4048482235936
Colour	green/black
Minimum order quantity	1
Date of sales availability	2013-09-01

### Packaging

Packaging type	Cardboard box
Packaging property	Transport packaging
Pieces per pallet	32
Number per layer	8

### Dimension, weight

Length with packaging	400 mm
Length <i>L</i>	245 mm
Height with packaging	263 mm
Height <i>H</i>	267 mm
Width with packaging	300 mm
Width <i>W</i>	150 mm
Gross weight, approx. <i>m</i>	10.8 kg
Net weight, approx. <i>m</i>	9.2 kg

## Tender text

High efficiency pump Wilo-Yonos MAXO electronically controlled,

Glandless circulator, synchronous motor according to ECM technology and integrated power control for continuous differential pressure control. Can be used for all heating, ventilation and air-conditioning applications.

Standard-equipped with:

- > Preselectable control modes for optimum load adjustment:  $\Delta p$ -c (differential pressure constant),  $\Delta p$ -v (differential pressure variable)
- > 3 speed stages (n = constant)

- > LED for setting the setpoint and displaying error messages
- > Electrical connection with the Wilo plug
- > Fault lamp and contact for collective fault signal

For flange-end pumps - flange versions:

- > Standard version for pumps DN 32 to DN 65: PN 6/10 combination flange (PN 16 flange according to EN 1092-2) for PN 6 and PN 16 counter flanges
- > Standard version for DN 80/DN 100 pumps: PN 6 flange (designed for PN 16 according to EN 1092-2) for PN 6 counter flange

## Operating Data

Fluid temperature <i>T</i>	-20 °C
Ambient temperature <i>T</i>	-20 °C
Maximum operating pressure <i>PN</i>	10 bar
Minimum suction head at 50 °C <i>m</i>	3 m
Minimum suction head at 95 °C <i>m</i>	10 m
Minimum suction head at 110 °C	16 m

## Motor data

Energy efficiency index (EEI)	0.20
Interference emission	EN 61800-3;2004+A1;2012 /residential area (C1)
Interference immunity	EN 61800-3;2004+A1;2012 /industrial environment (C2)
Mains connection	1~230 V, 50/60 Hz
Power consumption <i>P<sub>1 max</sub></i>	305 W
Min. speed <i>n<sub>min</sub></i>	1200 1/min
Max. speed <i>n<sub>max</sub></i>	4800 1/min
Protection class motor	IPX4D
Threaded cable connection	2 x M20x1.5

## Materials

Pump housing	Grey cast iron
Impeller	PPS-GF40
Shaft	Stainless steel
Bearing	Carbon-graphite

## Installation dimensions

Pipe connection on the suction side <i>DNs</i>	DN 40
Pipe connection on the discharge side <i>DNd</i>	DN 40
Port-to-port length <i>LO</i>	220 mm

## Ordering information

Brand	Wilo
Product description	Yonos MAXO 40/0,5-8 PN 6/10
Net weight, approx. <i>m</i>	9.2 kg
Article number	<b>2120646</b>

## Services

With Wilo as your partner, you can not only be sure of choosing high-quality product solutions, but also of benefiting from a comprehensive, worry-free package of well thought-out services. We collaborate to develop a service concept tailored to your individual needs; with our expertise and personal consultancy, we make sure that the operation of your systems is as energy-efficient, reliable and economical as possible. All the while our competent Wilo service technicians are ready to assist you with fast, reliable and on-time support.

## Recommended services

Wilo-Live Assistant Service	2216415
System Optimisation Glandless pumps	2219250
Energy Solutions Glandless pumps	2219285

## More suitable services

Extended warranty glandless pumps	2219589
Supervision Glandless pumps	2219320
Installation Glandless pumps	2219355
Commissioning Glandless pumps	2219390
Maintenance BASIC Glandless pumps	2219530
Maintenance COMFORT Glandless pumps	2219416
Maintenance PREMIUM Glandless pumps	2219545
Repair Glandless pumps	2219609



## Data sheet

### Hydraulic data

Maximum operating pressure $P_N$	10 bar
Head max $H_{max}$	12.6 m
Flow max $Q_{max}$	24.8 m <sup>3</sup> /h
Minimum suction head at 50 °C $m$	5 m
Minimum suction head at 95 °C $m$	12 m
Minimum suction head at 110 °C	18 m
Min. fluid temperature $T_{min}$	-20 °C
Max. fluid temperature $T_{max}$	110 °C
Min. ambient temperature $T_{min}$	-20 °C
Max. ambient temperature $T_{max}$	40 °C

### Motor data

Energy efficiency index (EEI)	0.20
Mains connection	1~230 V ±10%, 50/60 Hz
Min current $I_{min}$	0.17 A
Max current $I_{max}$	2.4 A
Rated power $P_2$	450 W
Min. speed $n_{min}$	950 1/min
Max. speed $n_{max}$	4600 1/min
Power consumption $P_{1 min}$	15 W
Power consumption $P_{1 max}$	550 W
Interference emission	EN 61800-3;2004+A1;2012 /residential area (C1)
Interference immunity	EN 61800-3;2004+A1;2012 /industrial environment (C2)
Threaded cable connection	2 x M20x1.5
Insulation class	F
Protection class	IPX4D

### Materials

Pump housing	Grey cast iron
Impeller	PPS-GF40
Shaft	Stainless steel
Bearing	Carbon-graphite

### Installation dimensions

Pipe connection on the discharge side <i>DNd</i>	DN 40
Pipe connection on the suction side <i>DNs</i>	DN 40
Port-to-port length <i>L0</i>	250 mm

### Equipment/function

#### Function

Control mode	$\Delta p-v$ for variable differential pressure
	$\Delta p-c$ for constant differential pressure
	Constant speed (3 speed stages)
Multi pump operation	Main/Standby (with Connect Module Yonos MAXO)
Display	Setpoint
	Fault signals (error codes)

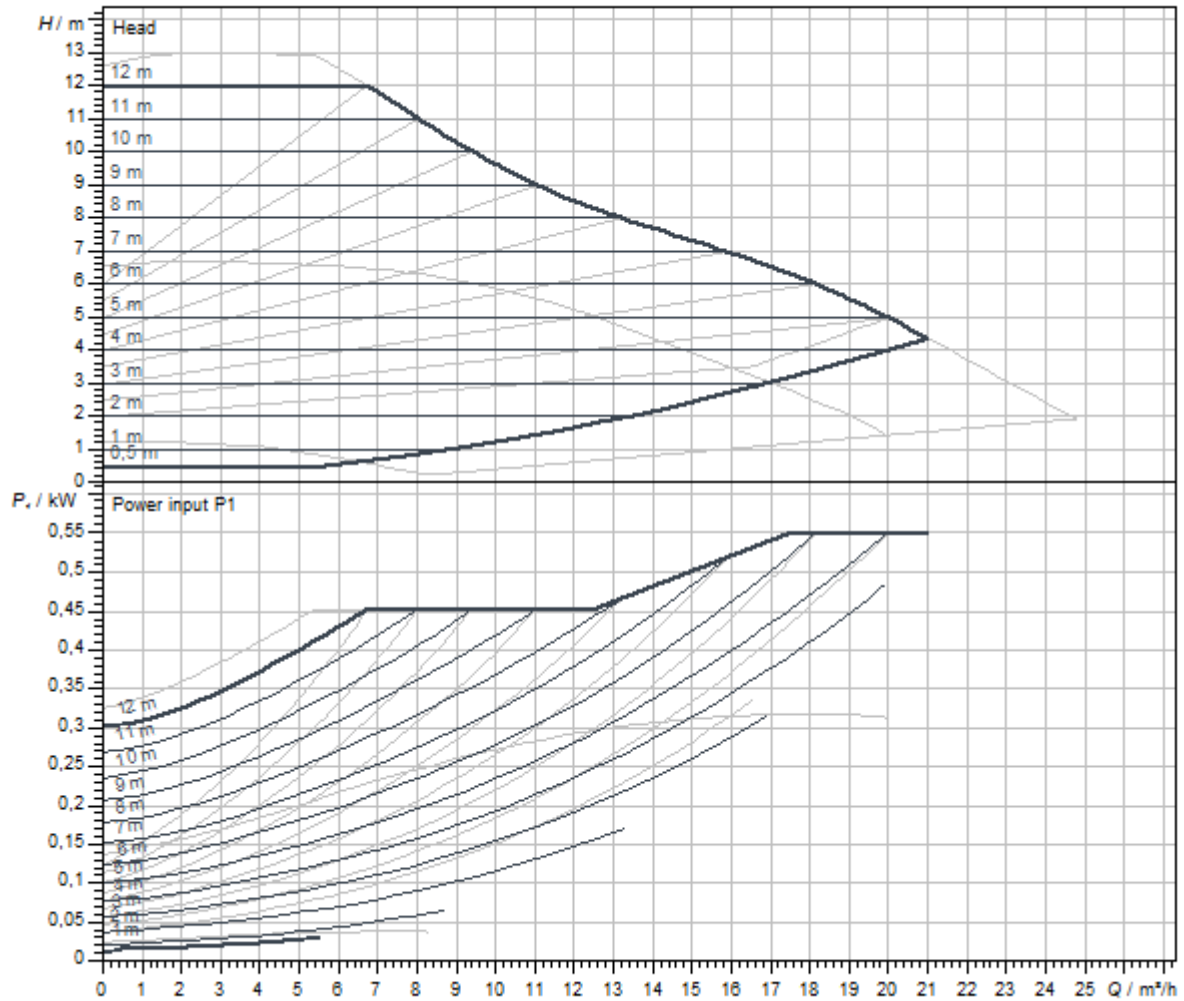
#### Equipment

Approvals and labels	CE
	VDE
	EAC
Display	LED segment display
Display information	Basic Version: LED display (small) for showing the set head or speed stage.
Pump control	Electronic-controlled pump (high efficiency pump)
Quick electrical connection	Wilo plug
Thermal insulation shell	As accessory
Blocking-current proof motor	yes
Particle filter	yes

#### Connectivity

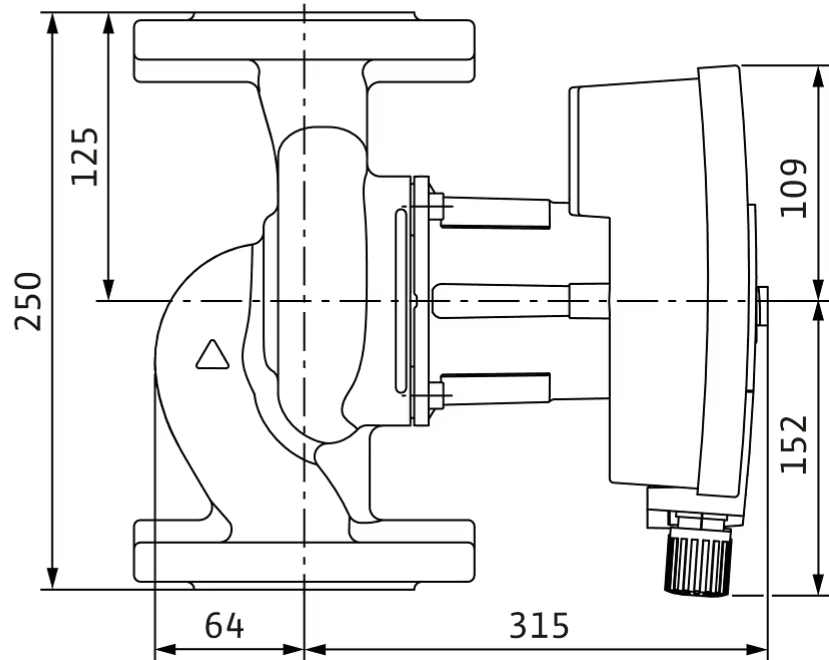
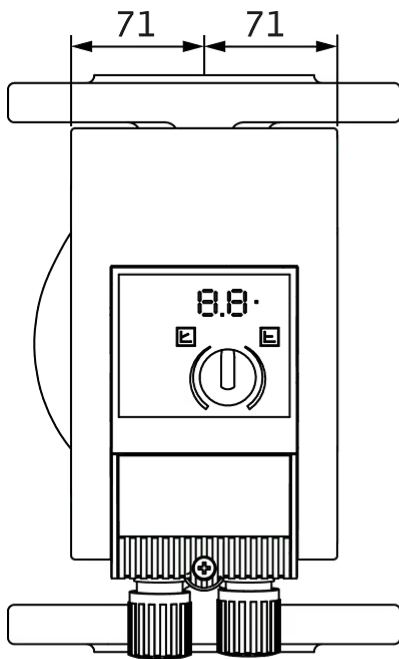
Digital input	Ext. OFF (via accessories Wilo-Connect module Yonos MAXO)
Digital output	SSM

Pump curves



Dimensions and dimensions drawings

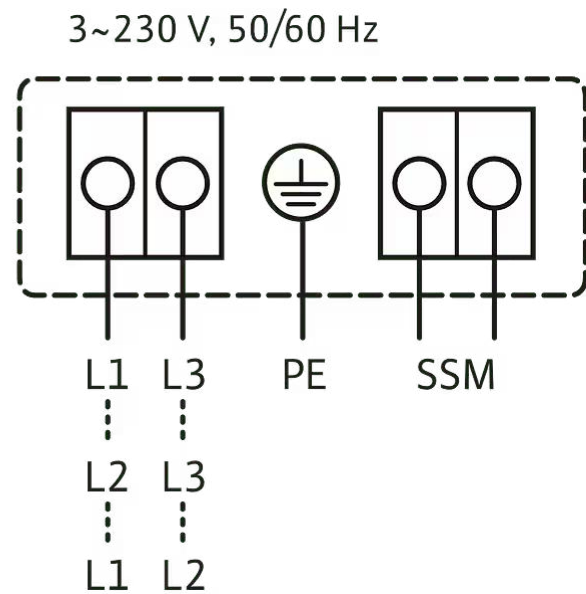
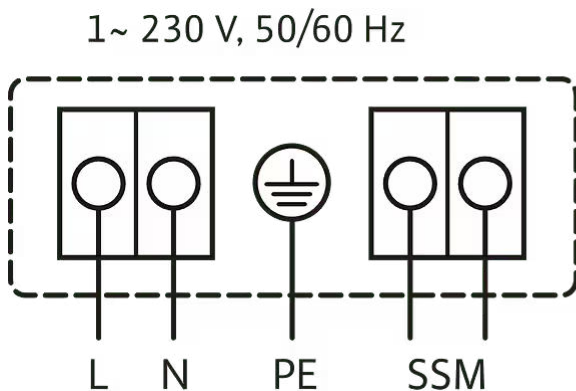
Yonos MAXO 40/0,5/12





## Wiring diagram

1~230V, 50/60 Hz



Collective fault signal

SSM: (NC contact in accordance with VDI 3814, load capacity 1 A, 250 V ~)

Standard: 1~230 V, 50/60 Hz

Option: 3~230 V, 50/60 Hz

## Ordering information

### Product data

Brand	Wilo
Product description	Yonos MAXO 40/0,5-12 PN 6/10
Article number	<b>2120647</b>
EAN number	4048482235943
Colour	green/black
Minimum order quantity	1
Date of sales availability	2013-09-01

### Dimension, weight

Length with packaging	600 mm
Length <i>L</i>	277 mm
Height with packaging	400 mm
Height <i>H</i>	326 mm
Width with packaging	394 mm
Width <i>W</i>	151 mm
Gross weight, approx. <i>m</i>	14.9 kg
Net weight, approx. <i>m</i>	13 kg

### Packaging

Packaging type	Cardboard box
Packaging property	Transport packaging
Pieces per pallet	36
Number per layer	9

## Tender text

High efficiency pump Wilo-Yonos MAXO electronically controlled,

Glandless circulator, synchronous motor according to ECM technology and integrated power control for continuous differential pressure control. Can be used for all heating, ventilation and air-conditioning applications.

Standard-equipped with:

- > Preselectable control modes for optimum load adjustment:  $\Delta p$ -c (differential pressure constant),  $\Delta p$ -v (differential pressure variable)
- > 3 speed stages (n = constant)

- > LED for setting the setpoint and displaying error messages
- > Electrical connection with the Wilo plug
- > Fault lamp and contact for collective fault signal

For flange-end pumps - flange versions:

- > Standard version for pumps DN 32 to DN 65: PN 6/10 combination flange (PN 16 flange according to EN 1092-2) for PN 6 and PN 16 counter flanges
- > Standard version for DN 80/DN 100 pumps: PN 6 flange (designed for PN 16 according to EN 1092-2) for PN 6 counter flange

## Operating Data

Fluid temperature <i>T</i>	-20 °C
Ambient temperature <i>T</i>	-20 °C
Maximum operating pressure <i>PN</i>	10 bar
Minimum suction head at 50 °C <i>m</i>	5 m
Minimum suction head at 95 °C <i>m</i>	12 m
Minimum suction head at 110 °C	18 m

## Motor data

Energy efficiency index (EEI)	0.20
Interference emission	EN 61800-3;2004+A1;2012 /residential area (C1)
Interference immunity	EN 61800-3;2004+A1;2012 /industrial environment (C2)
Mains connection	1~230 V, 50/60 Hz
Power consumption <i>P<sub>1 max</sub></i>	550 W
Min. speed <i>n<sub>min</sub></i>	950 1/min
Max. speed <i>n<sub>max</sub></i>	4600 1/min
Protection class motor	IPX4D
Threaded cable connection	2 x M20x1.5

## Materials

Pump housing	Grey cast iron
Impeller	PPS-GF40
Shaft	Stainless steel
Bearing	Carbon-graphite

## Installation dimensions

Pipe connection on the suction side <i>DN<sub>s</sub></i>	DN 40
Pipe connection on the discharge side <i>DN<sub>d</sub></i>	DN 40
Port-to-port length <i>L<sub>0</sub></i>	250 mm

## Ordering information

Brand	Wilo
Product description	Yonos MAXO 40/0,5-12 PN 6/10
Net weight, approx. <i>m</i>	13 kg
Article number	<b>2120647</b>

## Services

With Wilo as your partner, you can not only be sure of choosing high-quality product solutions, but also of benefiting from a comprehensive, worry-free package of well thought-out services. We collaborate to develop a service concept tailored to your individual needs; with our expertise and personal consultancy, we make sure that the operation of your systems is as energy-efficient, reliable and economical as possible. All the while our competent Wilo service technicians are ready to assist you with fast, reliable and on-time support.

## Recommended services

Wilo-Live Assistant Service	2216415
System Optimisation Glandless pumps	2219250
Energy Solutions Glandless pumps	2219285

## More suitable services

Extended warranty glandless pumps	2219589
Supervision Glandless pumps	2219320
Installation Glandless pumps	2219355
Commissioning Glandless pumps	2219390
Maintenance BASIC Glandless pumps	2219530
Maintenance COMFORT Glandless pumps	2219416
Maintenance PREMIUM Glandless pumps	2219545
Repair Glandless pumps	2219609



## Data sheet

### Hydraulic data

Maximum operating pressure $P_N$	10 bar
Head max $H_{max}$	17.6 m
Flow max $Q_{max}$	27.6 m <sup>3</sup> /h
Minimum suction head at 50 °C $m$	7 m
Minimum suction head at 95 °C $m$	15 m
Minimum suction head at 110 °C	23 m
Min. fluid temperature $T_{min}$	-20 °C
Max. fluid temperature $T_{max}$	110 °C
Min. ambient temperature $T_{min}$	-20 °C
Max. ambient temperature $T_{max}$	40 °C

### Motor data

Energy efficiency index (EEI)	0.20
Mains connection	1~230 V ±10%, 50/60 Hz
Min current $I_{min}$	0.27 A
Max current $I_{max}$	3.5 A
Rated power $P_2$	650 W
Min. speed $n_{min}$	800 1/min
Max. speed $n_{max}$	3500 1/min
Power consumption $P_{1 min}$	30 W
Power consumption $P_{1 max}$	800 W
Interference emission	EN 61800-3;2004+A1;2012 /residential area (C1)
Interference immunity	EN 61800-3;2004+A1;2012 /industrial environment (C2)
Threaded cable connection	2 x M20x1.5
Insulation class	F
Protection class	IPX4D

### Materials

Pump housing	Grey cast iron
Impeller	PPE/PS-GF30
Shaft	Stainless steel
Bearing	Carbon-graphite

### Installation dimensions

Pipe connection on the discharge side <i>DNd</i>	DN 40
Pipe connection on the suction side <i>DNs</i>	DN 40
Port-to-port length <i>L0</i>	250 mm

### Equipment/function

#### Function

Control mode	$\Delta p-v$ for variable differential pressure
	$\Delta p-c$ for constant differential pressure
	Constant speed (3 speed stages)
Multi pump operation	Main/Standby (with Connect Module Yonos MAXO)
Display	Setpoint
	Fault signals (error codes)

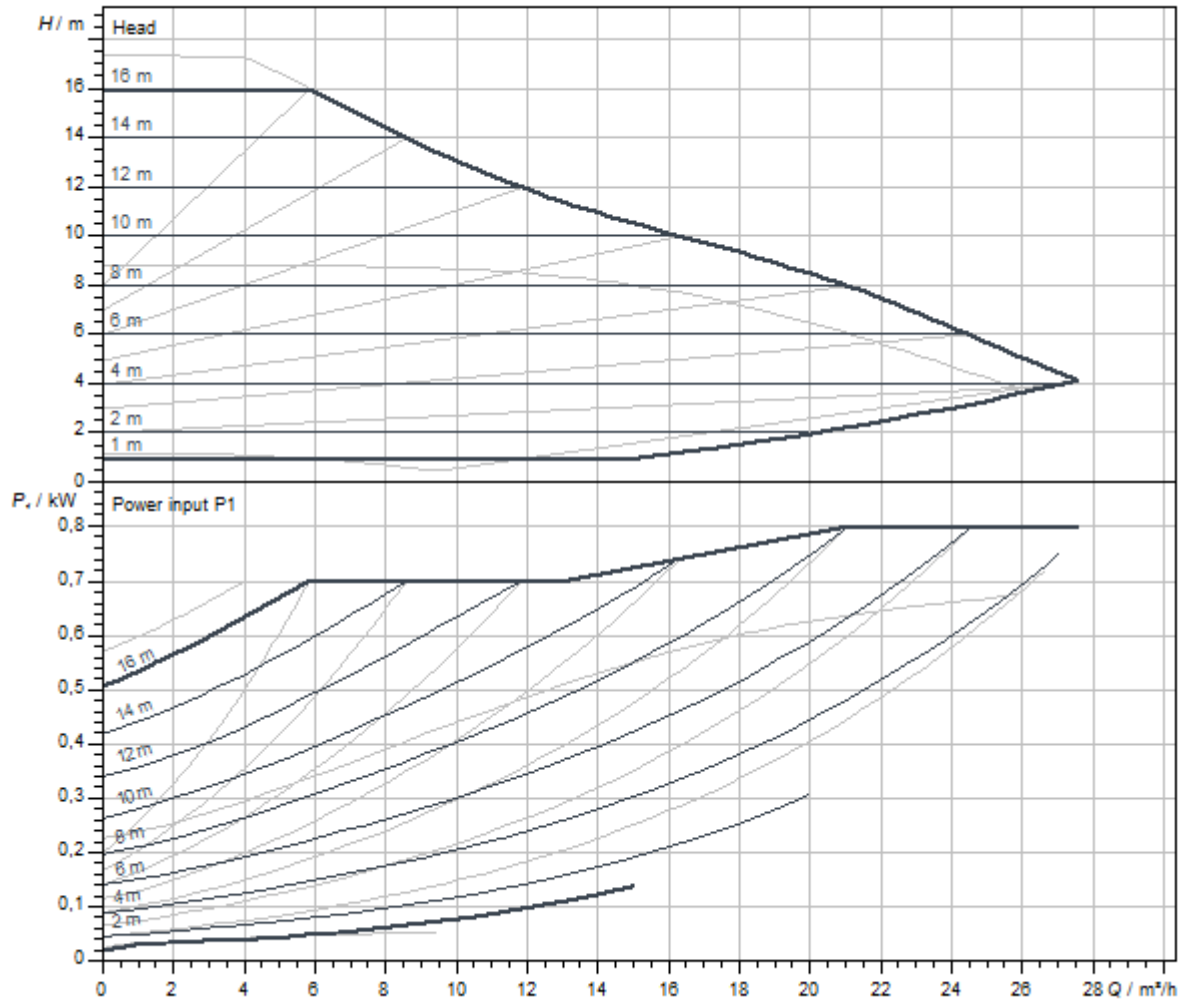
#### Equipment

Approvals and labels	CE
	VDE
	EAC
Display	LED segment display
Display information	Basic Version: LED display (small) for showing the set head or speed stage.
Pump control	Electronic-controlled pump (high efficiency pump)
Quick electrical connection	Wilo plug
Thermal insulation shell	As accessory
Blocking-current proof motor	yes
Particle filter	yes

#### Connectivity

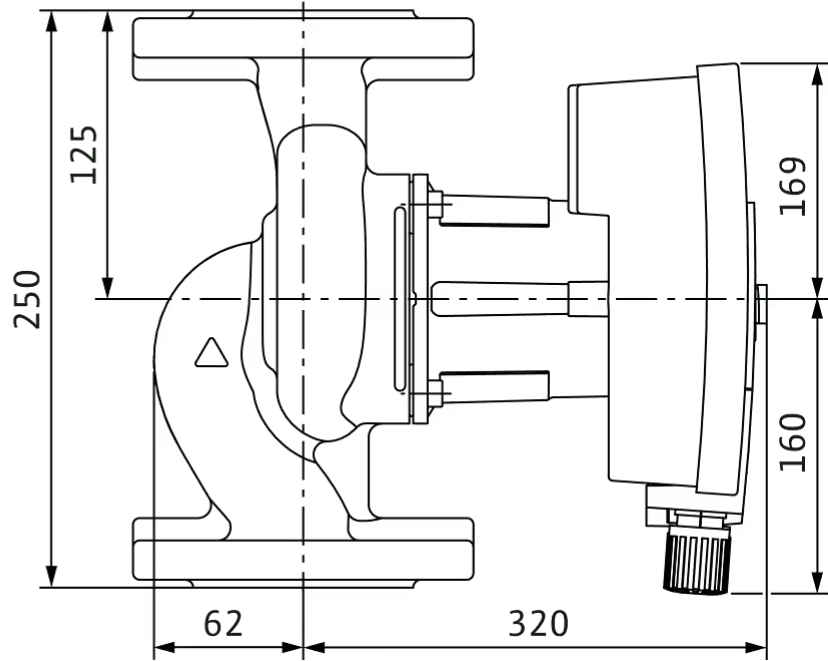
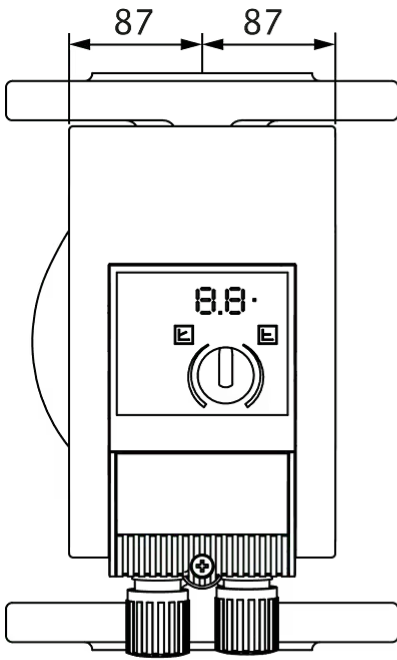
Digital input	Ext. OFF (via accessories Wilo-Connect module Yonos MAXO)
Digital output	SSM

Pump curves



Dimensions and dimensions drawings

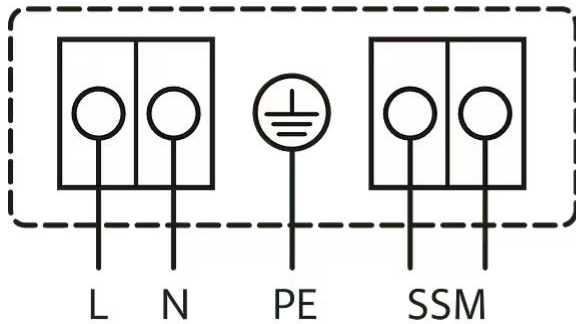
Yonos MAXO 40/0,5-16



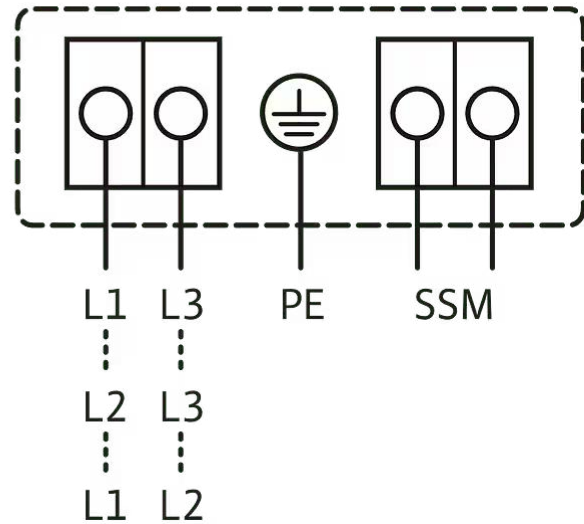
## Wiring diagram

1~230V, 50/60 Hz

1~ 230 V, 50/60 Hz



3~230 V, 50/60 Hz



Collective fault signal

SSM:  
(NC contact in accordance with VDI 3814, load capacity 1 A, 250 V ~)

Standard: 1~230 V, 50/60 Hz

Option: 3~230 V, 50/60 Hz

## Ordering information

### Product data

Brand	Wilo
Product description	Yonos MAXO 40/0,5-16 PN 6/10
Article number	<b>2120648</b>
EAN number	4048482407593
Colour	green/black
Minimum order quantity	1
Date of sales availability	2014-09-01

### Dimension, weight

Length with packaging	525 mm
Length <i>L</i>	285 mm
Height with packaging	375 mm
Height <i>H</i>	385 mm
Width with packaging	385 mm
Width <i>W</i>	170 mm
Gross weight, approx. <i>m</i>	24.5 kg
Net weight, approx. <i>m</i>	21 kg

### Packaging

Packaging type	Cardboard box
Packaging property	Transport packaging
Pieces per pallet	12
Number per layer	4



## Tender text

High efficiency pump Wilo-Yonos MAXO electronically controlled,

Glandless circulator, synchronous motor according to ECM technology and integrated power control for continuous differential pressure control. Can be used for all heating, ventilation and air-conditioning applications.

Standard-equipped with:

- > Preselectable control modes for optimum load adjustment:  $\Delta p$ -c (differential pressure constant),  $\Delta p$ -v (differential pressure variable)
- > 3 speed stages (n = constant)

- > LED for setting the setpoint and displaying error messages
- > Electrical connection with the Wilo plug
- > Fault lamp and contact for collective fault signal

For flange-end pumps - flange versions:

- > Standard version for pumps DN 32 to DN 65: PN 6/10 combination flange (PN 16 flange according to EN 1092-2) for PN 6 and PN 16 counter flanges
- > Standard version for DN 80/DN 100 pumps: PN 6 flange (designed for PN 16 according to EN 1092-2) for PN 6 counter flange

## Operating Data

Fluid temperature <i>T</i>	-20 °C
Ambient temperature <i>T</i>	-20 °C
Maximum operating pressure <i>PN</i>	10 bar
Minimum suction head at 50 °C <i>m</i>	7 m
Minimum suction head at 95 °C <i>m</i>	15 m
Minimum suction head at 110 °C	23 m

## Motor data

Energy efficiency index (EEI)	0.20
Interference emission	EN 61800-3;2004+A1;2012 /residential area (C1)
Interference immunity	EN 61800-3;2004+A1;2012 /industrial environment (C2)
Mains connection	1~230 V, 50/60 Hz
Power consumption <i>P</i> <sub>1 max</sub>	800 W
Min. speed <i>n</i> <sub>min</sub>	800 1/min
Max. speed <i>n</i> <sub>max</sub>	3500 1/min
Protection class motor	IPX4D
Threaded cable connection	2 x M20x1.5

## Materials

Pump housing	Grey cast iron
Impeller	PPE/PS-GF30
Shaft	Stainless steel
Bearing	Carbon-graphite

## Installation dimensions

Pipe connection on the suction side <i>DNs</i>	DN 40
Pipe connection on the discharge side <i>DNd</i>	DN 40
Port-to-port length <i>L0</i>	250 mm

## Ordering information

Brand	Wilo
Product description	Yonos MAXO 40/0,5-16 PN 6/10
Net weight, approx. <i>m</i>	21 kg
Article number	<b>2120648</b>

## Services

With Wilo as your partner, you can not only be sure of choosing high-quality product solutions, but also of benefiting from a comprehensive, worry-free package of well thought-out services. We collaborate to develop a service concept tailored to your individual needs; with our expertise and personal consultancy, we make sure that the operation of your systems is as energy-efficient, reliable and economical as possible. All the while our competent Wilo service technicians are ready to assist you with fast, reliable and on-time support.

## Recommended services

Wilo-Live Assistant Service	2216415
System Optimisation Glandless pumps	2219250
Energy Solutions Glandless pumps	2219285

## More suitable services

Extended warranty glandless pumps	2219589
Supervision Glandless pumps	2219320
Installation Glandless pumps	2219355
Commissioning Glandless pumps	2219390
Maintenance BASIC Glandless pumps	2219530
Maintenance COMFORT Glandless pumps	2219416
Maintenance PREMIUM Glandless pumps	2219545
Repair Glandless pumps	2219609



## Data sheet

### Hydraulic data

Maximum operating pressure $P_N$	10 bar
Head max $H_{max}$	8.5 m
Flow max $Q_{max}$	18.3 m <sup>3</sup> /h
Minimum suction head at 50 °C $m$	3 m
Minimum suction head at 95 °C $m$	10 m
Minimum suction head at 110 °C	16 m
Min. fluid temperature $T_{min}$	-20 °C
Max. fluid temperature $T_{max}$	110 °C
Min. ambient temperature $T_{min}$	-20 °C
Max. ambient temperature $T_{max}$	40 °C

### Motor data

Energy efficiency index (EEI)	0.20
Mains connection	1~230 V ±10%, 50/60 Hz
Min current $I_{min}$	0.15 A
Max current $I_{max}$	1.33 A
Rated power $P_2$	200 W
Min. speed $n_{min}$	1200 1/min
Max. speed $n_{max}$	4800 1/min
Power consumption $P_{1 min}$	10 W
Power consumption $P_{1 max}$	305 W
Interference emission	EN 61800-3;2004+A1;2012 /residential area (C1)
Interference immunity	EN 61800-3;2004+A1;2012 /industrial environment (C2)
Threaded cable connection	2 x M20x1.5
Insulation class	F
Protection class	IPX4D

### Materials

Pump housing	Grey cast iron
Impeller	PPS-GF40
Shaft	Stainless steel
Bearing	Carbon-graphite

### Installation dimensions

Pipe connection on the discharge side <i>DNd</i>	DN 50
Pipe connection on the suction side <i>DNs</i>	DN 50
Port-to-port length <i>L0</i>	240 mm

### Equipment/function

#### Function

Control mode	$\Delta p-v$ for variable differential pressure
	$\Delta p-c$ for constant differential pressure
	Constant speed (3 speed stages)
Multi pump operation	Main/Standby (with Connect Module Yonos MAXO)
Display	Setpoint
	Fault signals (error codes)

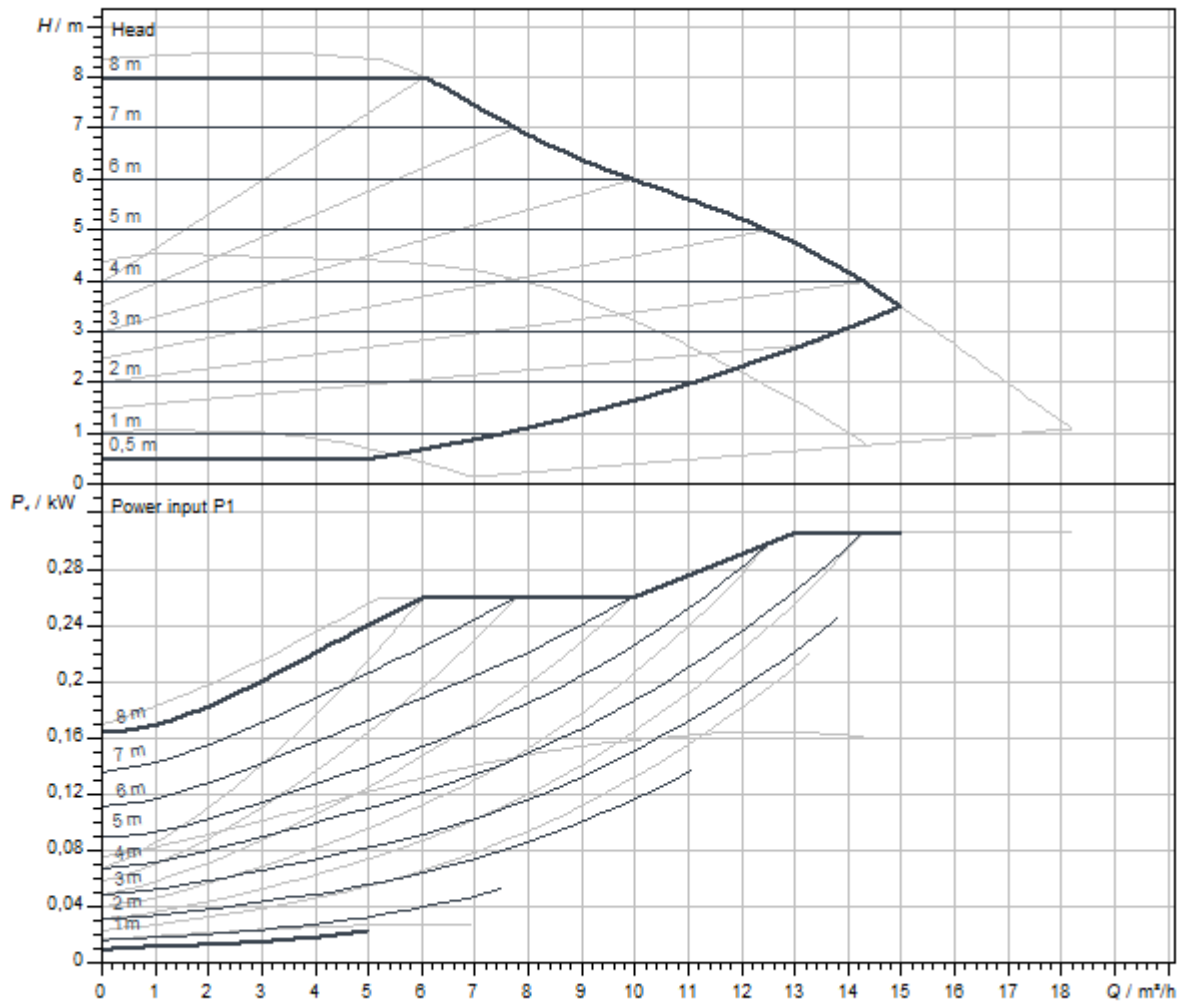
#### Equipment

Approvals and labels	CE
	VDE
	EAC
Display	LED segment display
Display information	Basic Version: LED display (small) for showing the set head or speed stage.
Pump control	Electronic-controlled pump (high efficiency pump)
Quick electrical connection	Wilo plug
Thermal insulation shell	As accessory
Blocking-current proof motor	yes
Particle filter	yes

#### Connectivity

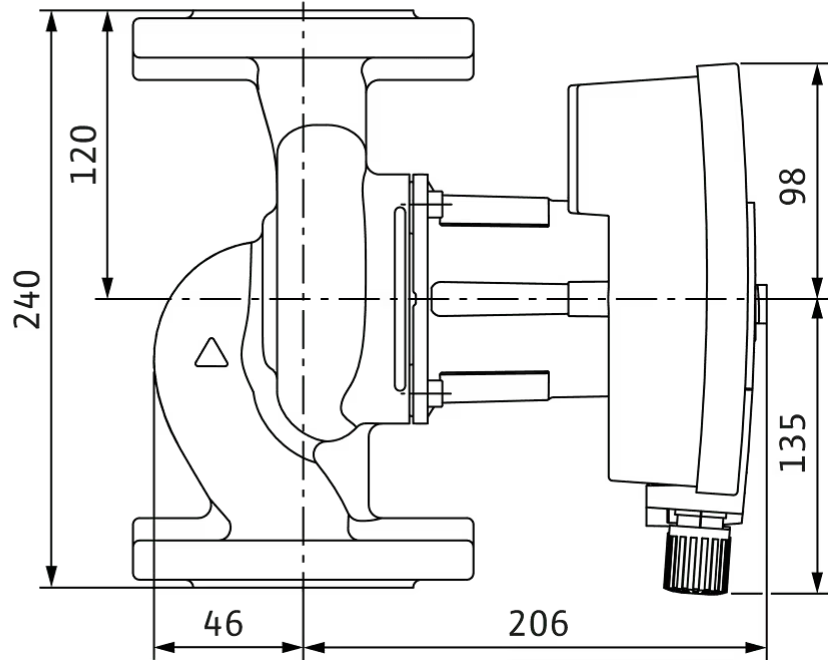
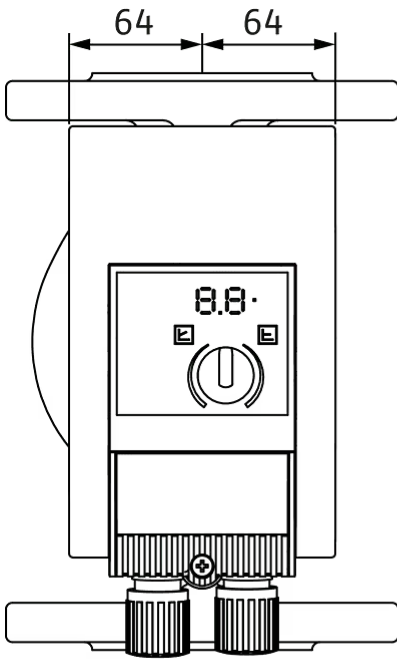
Digital input	Ext. OFF (via accessories Wilo-Connect module Yonos MAXO)
Digital output	SSM

Pump curves



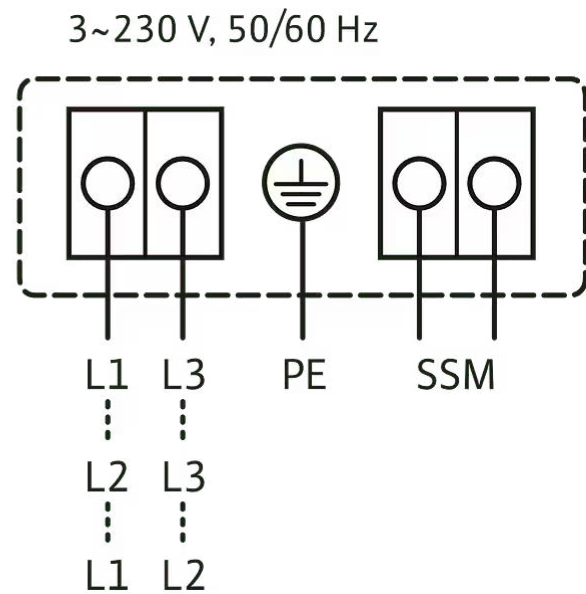
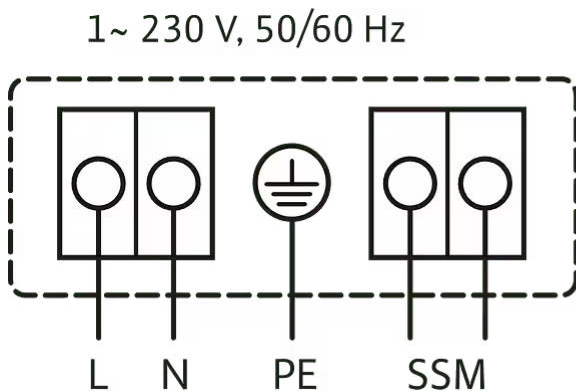
Dimensions and dimensions drawings

Yonos MAXO 50/0,5-8



## Wiring diagram

1~230V, 50/60 Hz



Collective fault signal

SSM: (NC contact in accordance with VDI 3814, load capacity 1 A, 250 V ~)

Standard: 1~230 V, 50/60 Hz

Option: 3~230 V, 50/60 Hz

## Ordering information

### Product data

Brand	Wilo
Product description	Yonos MAXO 50/0,5-8 PN 6/10
Article number	<b>2120649</b>
EAN number	4048482235950
Colour	green/black
Minimum order quantity	1
Date of sales availability	2013-09-01

### Dimension, weight

Length with packaging	400 mm
Length <i>L</i>	255 mm
Height with packaging	263 mm
Height <i>H</i>	276 mm
Width with packaging	300 mm
Width <i>W</i>	165 mm
Gross weight, approx. <i>m</i>	12.1 kg
Net weight, approx. <i>m</i>	10.5 kg

### Packaging

Packaging type	Cardboard box
Packaging property	Transport packaging
Pieces per pallet	32
Number per layer	8

## Tender text

High efficiency pump Wilo-Yonos MAXO electronically controlled,

Glandless circulator, synchronous motor according to ECM technology and integrated power control for continuous differential pressure control. Can be used for all heating, ventilation and air-conditioning applications.

Standard-equipped with:

- > Preselectable control modes for optimum load adjustment:  $\Delta p$ -c (differential pressure constant),  $\Delta p$ -v (differential pressure variable)
- > 3 speed stages (n = constant)

- > LED for setting the setpoint and displaying error messages
- > Electrical connection with the Wilo plug
- > Fault lamp and contact for collective fault signal

For flange-end pumps - flange versions:

- > Standard version for pumps DN 32 to DN 65: PN 6/10 combination flange (PN 16 flange according to EN 1092-2) for PN 6 and PN 16 counter flanges
- > Standard version for DN 80/DN 100 pumps: PN 6 flange (designed for PN 16 according to EN 1092-2) for PN 6 counter flange

## Operating Data

Fluid temperature <i>T</i>	-20 °C
Ambient temperature <i>T</i>	-20 °C
Maximum operating pressure <i>PN</i>	10 bar
Minimum suction head at 50 °C <i>m</i>	3 m
Minimum suction head at 95 °C <i>m</i>	10 m
Minimum suction head at 110 °C	16 m

## Motor data

Energy efficiency index (EEI)	0.20
Interference emission	EN 61800-3;2004+A1;2012 /residential area (C1)
Interference immunity	EN 61800-3;2004+A1;2012 /industrial environment (C2)
Mains connection	1~230 V, 50/60 Hz
Power consumption <i>P<sub>1 max</sub></i>	305 W
Min. speed <i>n<sub>min</sub></i>	1200 1/min
Max. speed <i>n<sub>max</sub></i>	4800 1/min
Protection class motor	IPX4D
Threaded cable connection	2 x M20x1.5

## Materials

Pump housing	Grey cast iron
Impeller	PPS-GF40
Shaft	Stainless steel
Bearing	Carbon-graphite

## Installation dimensions

Pipe connection on the suction side <i>DN<sub>s</sub></i>	DN 50
Pipe connection on the discharge side <i>DN<sub>d</sub></i>	DN 50
Port-to-port length <i>L<sub>0</sub></i>	240 mm

## Ordering information

Brand	Wilo
Product description	Yonos MAXO 50/0,5-8 PN 6/10
Net weight, approx. <i>m</i>	10.5 kg
Article number	<b>2120649</b>

## Services



With Wilo as your partner, you can not only be sure of choosing high-quality product solutions, but also of benefiting from a comprehensive, worry-free package of well thought-out services. We collaborate to develop a service concept tailored to your individual needs; with our expertise and personal consultancy, we make sure that the operation of your systems is as energy-efficient, reliable and economical as possible. All the while our competent Wilo service technicians are ready to assist you with fast, reliable and on-time support.

## Recommended services

Wilo-Live Assistant Service	2216415
System Optimisation Glandless pumps	2219250
Energy Solutions Glandless pumps	2219285

## More suitable services

Extended warranty glandless pumps	2219589
Supervision Glandless pumps	2219320
Installation Glandless pumps	2219355
Commissioning Glandless pumps	2219390
Maintenance BASIC Glandless pumps	2219530
Maintenance COMFORT Glandless pumps	2219416
Maintenance PREMIUM Glandless pumps	2219545
Repair Glandless pumps	2219609



## Data sheet

### Hydraulic data

Maximum operating pressure $P_N$	10 bar
Head max $H_{max}$	10.3 m
Flow max $Q_{max}$	29.0 m <sup>3</sup> /h
Minimum suction head at 50 °C $m$	5 m
Minimum suction head at 95 °C $m$	12 m
Minimum suction head at 110 °C	18 m
Min. fluid temperature $T_{min}$	-20 °C
Max. fluid temperature $T_{max}$	110 °C
Min. ambient temperature $T_{min}$	-20 °C
Max. ambient temperature $T_{max}$	40 °C

### Motor data

Energy efficiency index (EEI)	0.20
Mains connection	1~230 V ±10%, 50/60 Hz
Min current $I_{min}$	0.17 A
Max current $I_{max}$	2.15 A
Rated power $P_2$	400 W
Min. speed $n_{min}$	950 1/min
Max. speed $n_{max}$	4100 1/min
Power consumption $P_{1 min}$	15 W
Power consumption $P_{1 max}$	490 W
Interference emission	EN 61800-3;2004+A1;2012 /residential area (C1)
Interference immunity	EN 61800-3;2004+A1;2012 /industrial environment (C2)
Threaded cable connection	2 x M20x1.5
Insulation class	F
Protection class	IPX4D

### Materials

Pump housing	Grey cast iron
Impeller	PPS-GF40
Shaft	Stainless steel
Bearing	Carbon-graphite

### Installation dimensions

Pipe connection on the discharge side <i>DNd</i>	DN 50
Pipe connection on the suction side <i>DNs</i>	DN 50
Port-to-port length <i>L0</i>	280 mm

### Equipment/function

#### Function

Control mode	$\Delta p-v$ for variable differential pressure
	$\Delta p-c$ for constant differential pressure
	Constant speed (3 speed stages)
Multi pump operation	Main/Standby (with Connect Module Yonos MAXO)
Display	Setpoint
	Fault signals (error codes)

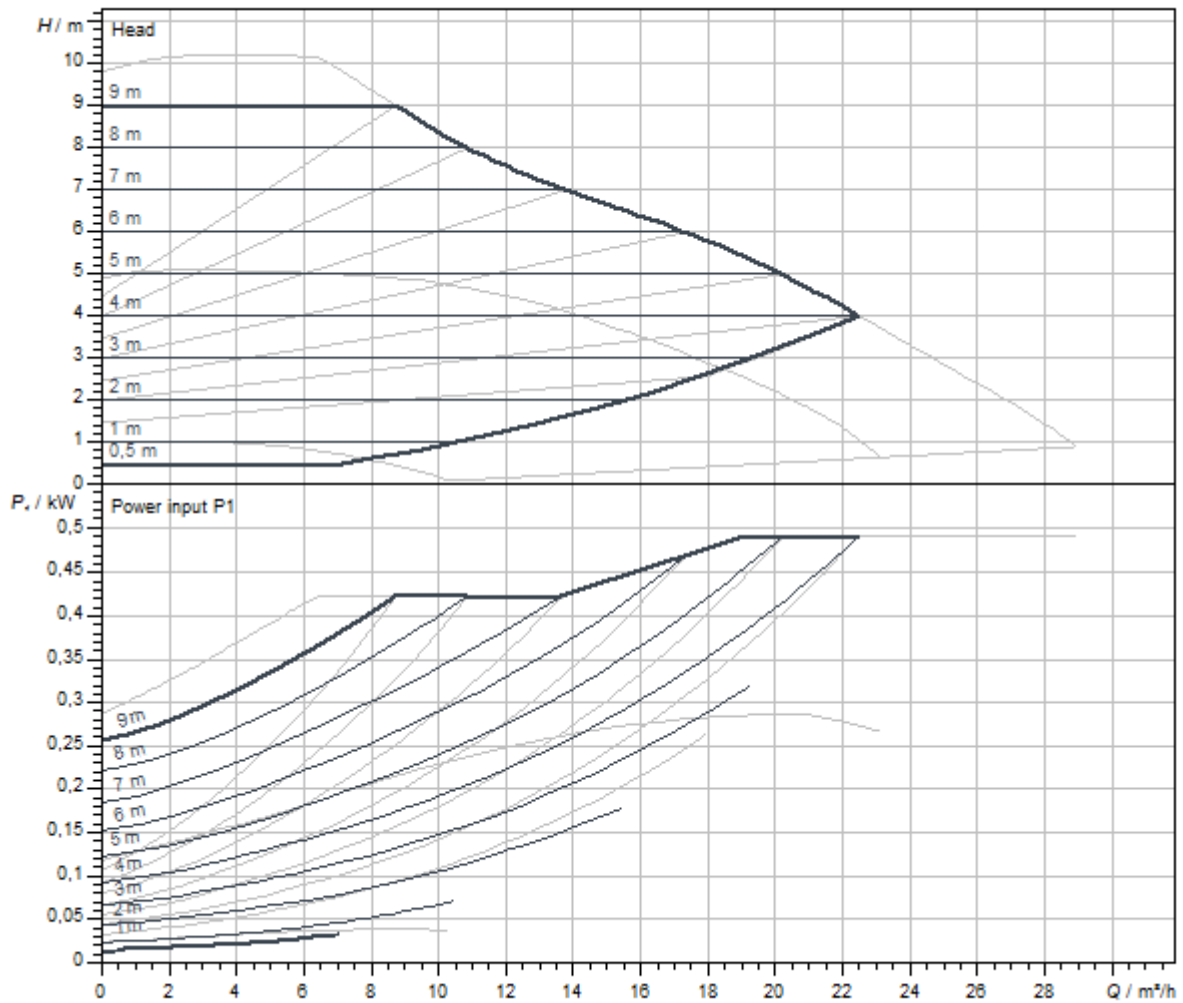
#### Equipment

Approvals and labels	CE
	VDE
	EAC
Display	LED segment display
Display information	Basic Version: LED display (small) for showing the set head or speed stage.
Pump control	Electronic-controlled pump (high efficiency pump)
Quick electrical connection	Wilo plug
Thermal insulation shell	As accessory
Blocking-current proof motor	yes
Particle filter	yes

#### Connectivity

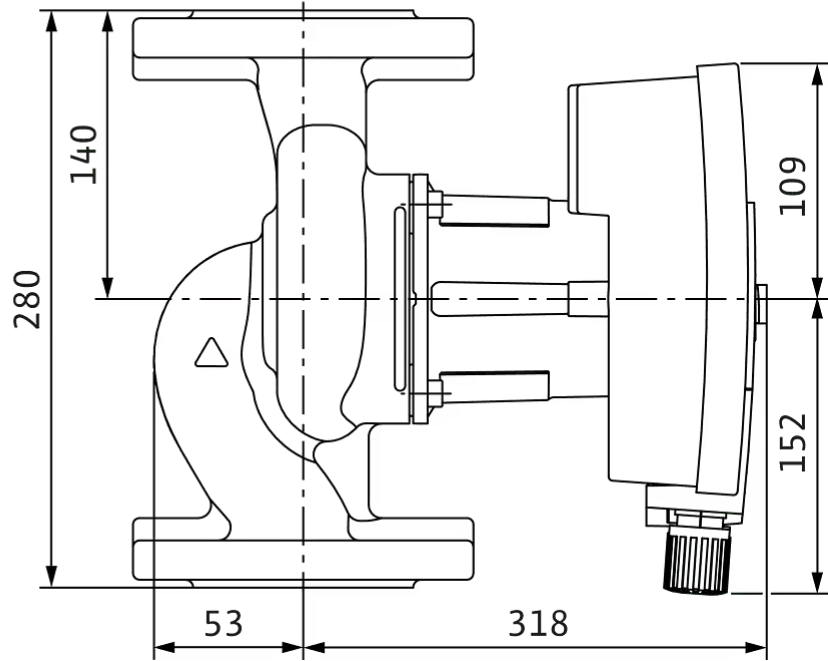
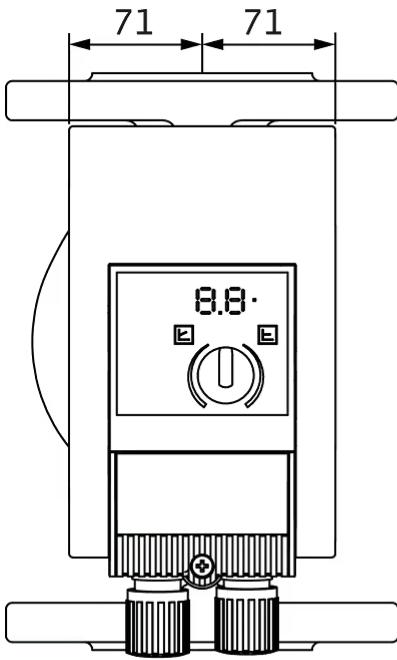
Digital input	Ext. OFF (via accessories Wilo-Connect module Yonos MAXO)
Digital output	SSM

Pump curves



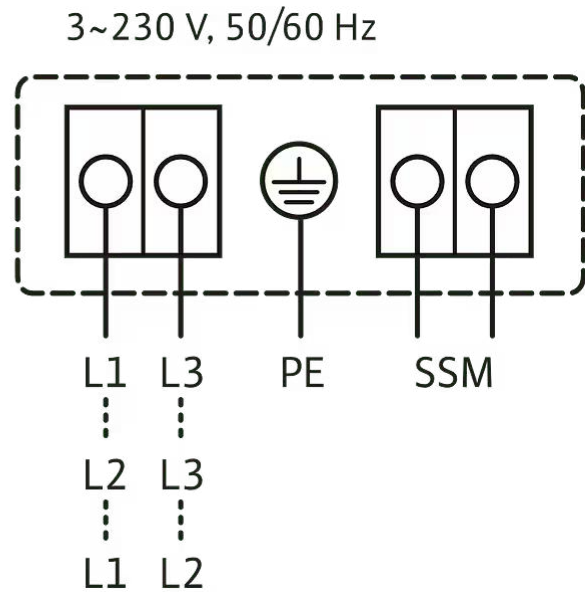
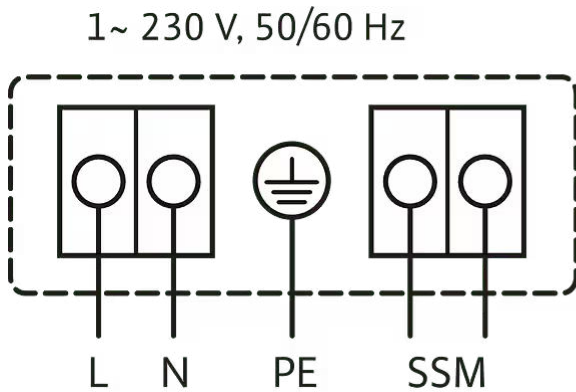
Dimensions and dimensions drawings

Yonos MAXO 50/0,5-9



## Wiring diagram

1~230V, 50/60 Hz



Collective fault signal

SSM: (NC contact in accordance with VDI 3814, load capacity 1 A, 250 V ~)

Standard: 1~230 V, 50/60 Hz

Option: 3~230 V, 50/60 Hz

## Ordering information

### Product data

Brand	Wilo
Product description	Yonos MAXO 50/0,5-9 PN 6/10
Article number	<b>2120650</b>
EAN number	4048482235967
Colour	green/black
Minimum order quantity	1
Date of sales availability	2013-09-01

### Dimension, weight

Length with packaging	600 mm
Length <i>L</i>	292 mm
Height with packaging	400 mm
Height <i>H</i>	334 mm
Width with packaging	394 mm
Width <i>W</i>	165 mm
Gross weight, approx. <i>m</i>	16.1 kg
Net weight, approx. <i>m</i>	14.2 kg

### Packaging

Packaging type	Cardboard box
Packaging property	Transport packaging
Pieces per pallet	36
Number per layer	9

## Tender text

High efficiency pump Wilo-Yonos MAXO electronically controlled,

Glandless circulator, synchronous motor according to ECM technology and integrated power control for continuous differential pressure control. Can be used for all heating, ventilation and air-conditioning applications.

Standard-equipped with:

- > Preselectable control modes for optimum load adjustment:  $\Delta p$ -c (differential pressure constant),  $\Delta p$ -v (differential pressure variable)
- > 3 speed stages (n = constant)

- > LED for setting the setpoint and displaying error messages
- > Electrical connection with the Wilo plug
- > Fault lamp and contact for collective fault signal

For flange-end pumps - flange versions:

- > Standard version for pumps DN 32 to DN 65: PN 6/10 combination flange (PN 16 flange according to EN 1092-2) for PN 6 and PN 16 counter flanges
- > Standard version for DN 80/DN 100 pumps: PN 6 flange (designed for PN 16 according to EN 1092-2) for PN 6 counter flange

## Operating Data

Fluid temperature <i>T</i>	-20 °C
Ambient temperature <i>T</i>	-20 °C
Maximum operating pressure <i>PN</i>	10 bar
Minimum suction head at 50 °C <i>m</i>	5 m
Minimum suction head at 95 °C <i>m</i>	12 m
Minimum suction head at 110 °C	18 m

## Motor data

Energy efficiency index (EEI)	0.20
Interference emission	EN 61800-3;2004+A1;2012 /residential area (C1)
Interference immunity	EN 61800-3;2004+A1;2012 /industrial environment (C2)
Mains connection	1~230 V, 50/60 Hz
Power consumption <i>P</i> <sub>1 max</sub>	490 W
Min. speed <i>n</i> <sub>min</sub>	950 1/min
Max. speed <i>n</i> <sub>max</sub>	4100 1/min
Protection class motor	IPX4D
Threaded cable connection	2 x M20x1.5

## Materials

Pump housing	Grey cast iron
Impeller	PPS-GF40
Shaft	Stainless steel
Bearing	Carbon-graphite

## Installation dimensions

Pipe connection on the suction side <i>DN</i> <sub>s</sub>	DN 50
Pipe connection on the discharge side <i>DN</i> <sub>d</sub>	DN 50
Port-to-port length <i>L</i> <sub>0</sub>	280 mm

## Ordering information

Brand	Wilo
Product description	Yonos MAXO 50/0,5-9 PN 6/10
Net weight, approx. <i>m</i>	14.2 kg
Article number	<b>2120650</b>

## Services

With Wilo as your partner, you can not only be sure of choosing high-quality product solutions, but also of benefiting from a comprehensive, worry-free package of well thought-out services. We collaborate to develop a service concept tailored to your individual needs; with our expertise and personal consultancy, we make sure that the operation of your systems is as energy-efficient, reliable and economical as possible. All the while our competent Wilo service technicians are ready to assist you with fast, reliable and on-time support.

### Recommended services

Wilo-Live Assistant Service	2216415
System Optimisation Glandless pumps	2219250
Energy Solutions Glandless pumps	2219285

### More suitable services

Extended warranty glandless pumps	2219589
Supervision Glandless pumps	2219320
Installation Glandless pumps	2219355
Commissioning Glandless pumps	2219390
Maintenance BASIC Glandless pumps	2219530
Maintenance COMFORT Glandless pumps	2219416
Maintenance PREMIUM Glandless pumps	2219545
Repair Glandless pumps	2219609





## Data sheet

### Hydraulic data

Maximum operating pressure $P_N$	10 bar
Head max $H_{max}$	12.9 m
Flow max $Q_{max}$	31.2 m <sup>3</sup> /h
Minimum suction head at 50 °C $m$	5 m
Minimum suction head at 95 °C $m$	12 m
Minimum suction head at 110 °C	18 m
Min. fluid temperature $T_{min}$	-20 °C
Max. fluid temperature $T_{max}$	110 °C
Min. ambient temperature $T_{min}$	-20 °C
Max. ambient temperature $T_{max}$	40 °C

### Motor data

Energy efficiency index (EEI)	0.20
Mains connection	1~230 V ±10%, 50/60 Hz
Min current $I_{min}$	0.17 A
Max current $I_{max}$	2.65 A
Rated power $P_2$	500 W
Min. speed $n_{min}$	950 1/min
Max. speed $n_{max}$	4600 1/min
Power consumption $P_{1min}$	15 W
Power consumption $P_{1max}$	600 W
Interference emission	EN 61800-3;2004+A1;2012 /residential area (C1)
Interference immunity	EN 61800-3;2004+A1;2012 /industrial environment (C2)
Threaded cable connection	2 x M20x1.5
Insulation class	F
Protection class	IPX4D

### Materials

Pump housing	Grey cast iron
Impeller	PPS-GF40
Shaft	Stainless steel
Bearing	Carbon, synthetic resin-impregnated

### Installation dimensions

Pipe connection on the discharge side <i>DNd</i>	DN 50
Pipe connection on the suction side <i>DNs</i>	DN 50
Port-to-port length <i>L0</i>	280 mm

### Equipment/function

#### Function

Control mode	$\Delta p-v$ for variable differential pressure
	$\Delta p-c$ for constant differential pressure
	Constant speed (3 speed stages)
Multi pump operation	Main/Standby (with Connect Module Yonos MAXO)
Display	Setpoint
	Fault signals (error codes)

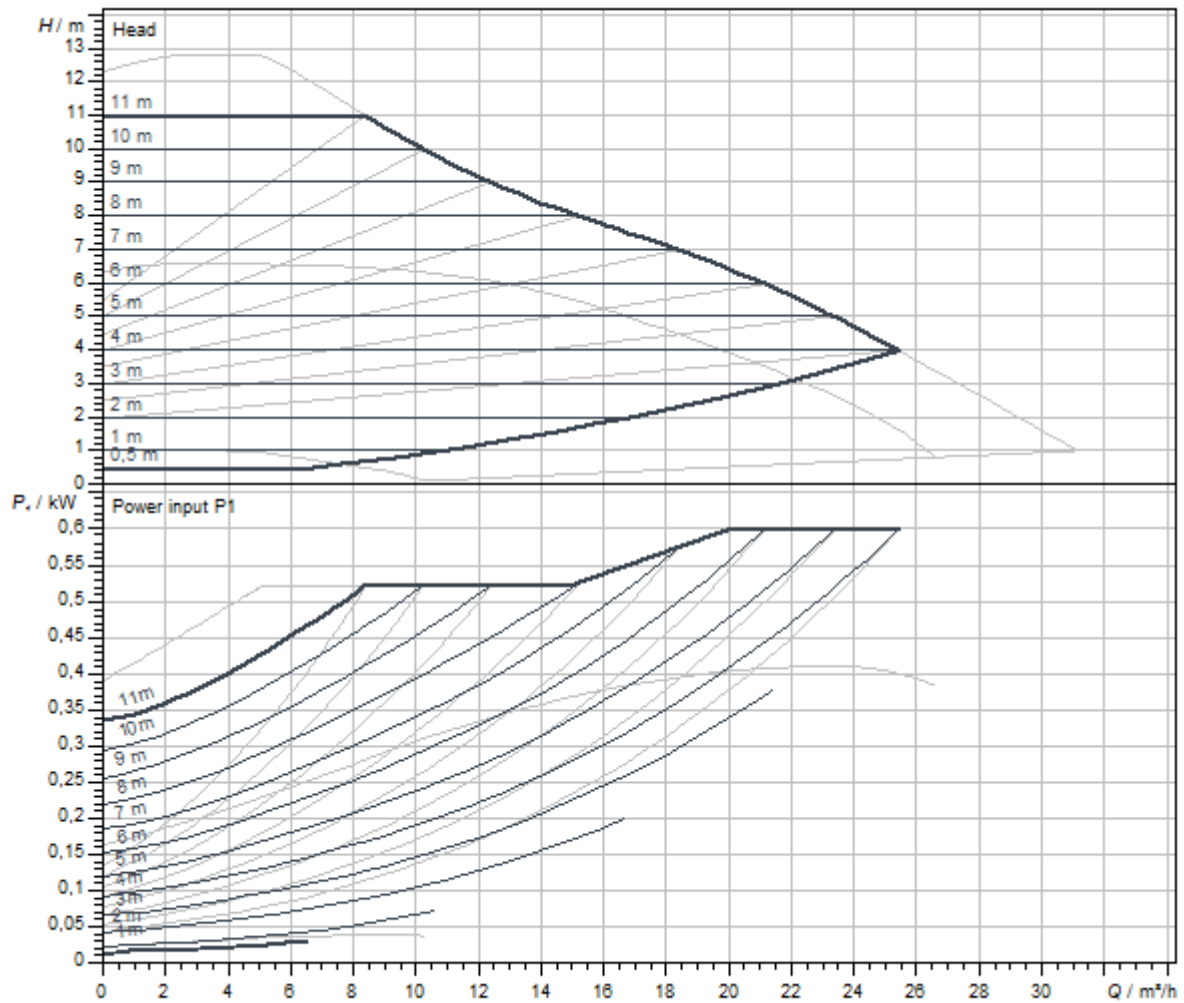
#### Equipment

Approvals and labels	CE
	VDE
	EAC
Display	LED segment display
Display information	Basic Version: LED display (small) for showing the set head or speed stage.
Pump control	Electronic-controlled pump (high efficiency pump)
Quick electrical connection	Wilo plug
Thermal insulation shell	As accessory
Blocking-current proof motor	yes
Particle filter	yes

#### Connectivity

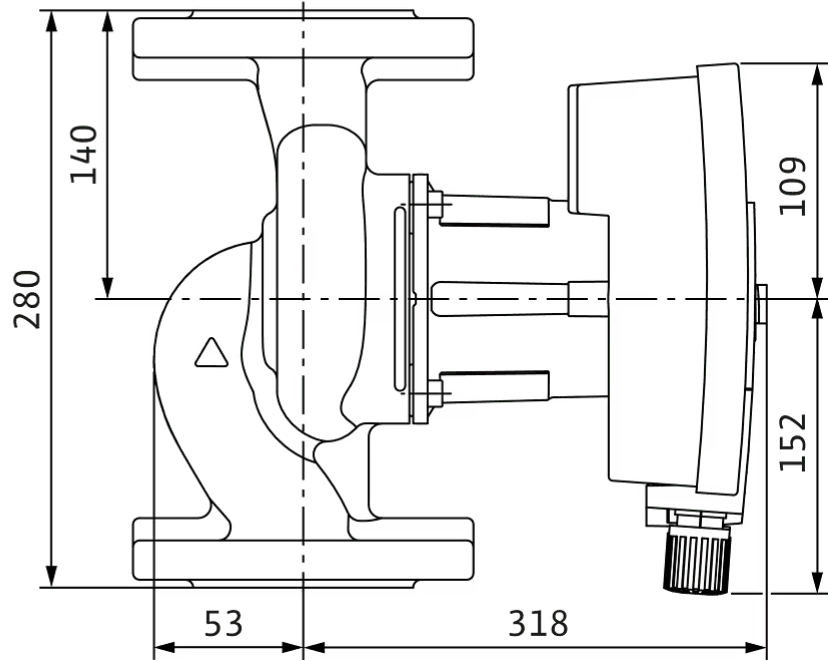
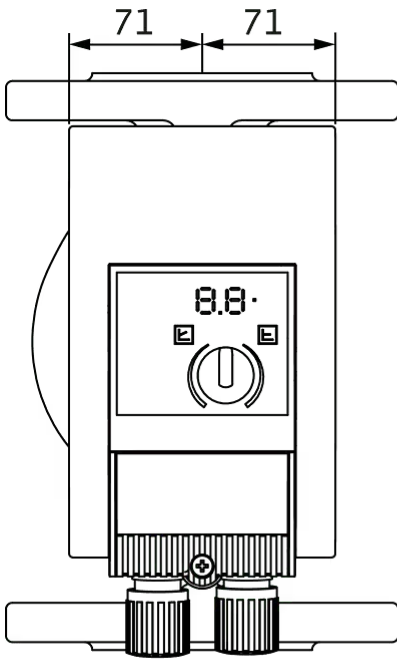
Digital input	Ext. OFF (via accessories Wilo-Connect module Yonos MAXO)
Digital output	SSM

Pump curves



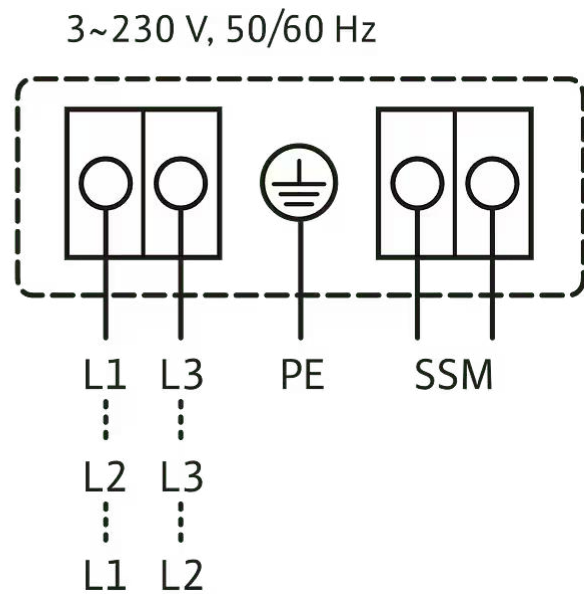
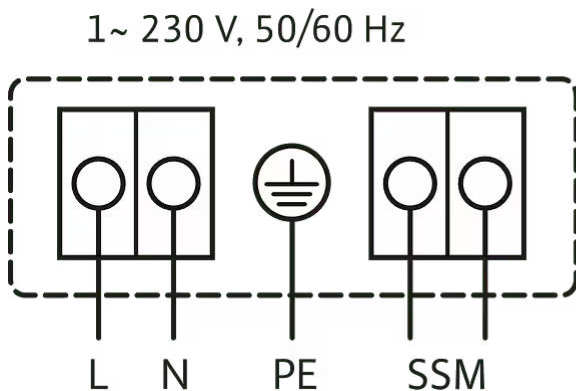
Dimensions and dimensions drawings

Yonos MAXO 50/0,5-12



## Wiring diagram

1~230V, 50/60 Hz



Collective fault signal

SSM:  
(NC contact in accordance with VDI 3814, load capacity 1 A, 250 V ~)

Standard: 1~230 V, 50/60 Hz

Option: 3~230 V, 50/60 Hz

## Ordering information

### Product data

Brand	Wilo
Product description	Yonos MAXO 50/0,5-12 PN 6/10
Article number	<b>2120651</b>
EAN number	4048482235974
Colour	green/black
Minimum order quantity	1
Date of sales availability	2013-09-01

### Dimension, weight

Length with packaging	600 mm
Length <i>L</i>	292 mm
Height with packaging	400 mm
Height <i>H</i>	334 mm
Width with packaging	394 mm
Width <i>W</i>	165 mm
Gross weight, approx. <i>m</i>	16.1 kg
Net weight, approx. <i>m</i>	14.2 kg

### Packaging

Packaging type	Cardboard box
Packaging property	Transport packaging
Pieces per pallet	36
Number per layer	9

## Tender text

High efficiency pump Wilo-Yonos MAXO electronically controlled,

Glandless circulator, synchronous motor according to ECM technology and integrated power control for continuous differential pressure control. Can be used for all heating, ventilation and air-conditioning applications.

Standard-equipped with:

- > Preselectable control modes for optimum load adjustment:  $\Delta p$ -c (differential pressure constant),  $\Delta p$ -v (differential pressure variable)
- > 3 speed stages (n = constant)

- > LED for setting the setpoint and displaying error messages
- > Electrical connection with the Wilo plug
- > Fault lamp and contact for collective fault signal

For flange-end pumps - flange versions:

- > Standard version for pumps DN 32 to DN 65: PN 6/10 combination flange (PN 16 flange according to EN 1092-2) for PN 6 and PN 16 counter flanges
- > Standard version for DN 80/DN 100 pumps: PN 6 flange (designed for PN 16 according to EN 1092-2) for PN 6 counter flange

## Operating Data

Fluid temperature $T$	-20 °C
Ambient temperature $T$	-20 °C
Maximum operating pressure $PN$	10 bar
Minimum suction head at 50 °C $m$	5 m
Minimum suction head at 95 °C $m$	12 m
Minimum suction head at 110 °C	18 m

## Motor data

Energy efficiency index (EEI)	0.20
Interference emission	EN 61800-3;2004+A1;2012 /residential area (C1)
Interference immunity	EN 61800-3;2004+A1;2012 /industrial environment (C2)
Mains connection	1~230 V, 50/60 Hz
Power consumption $P_{1\max}$	600 W
Min. speed $n_{\min}$	950 1/min
Max. speed $n_{\max}$	4600 1/min
Protection class motor	IPX4D
Threaded cable connection	2 x M20x1.5

## Materials

Pump housing	Grey cast iron
Impeller	PPS-GF40
Shaft	Stainless steel
Bearing	Carbon, synthetic resin-impregnated

## Installation dimensions

Pipe connection on the suction side $DN_s$	DN 50
Pipe connection on the discharge side $DN_d$	DN 50
Port-to-port length $L_0$	280 mm

## Ordering information

Brand	Wilo
Product description	Yonos MAXO 50/0,5-12 PN 6/10
Net weight, approx. $m$	14.2 kg
Article number	<b>2120651</b>

## Services

With Wilo as your partner, you can not only be sure of choosing high-quality product solutions, but also of benefiting from a comprehensive, worry-free package of well thought-out services. We collaborate to develop a service concept tailored to your individual needs; with our expertise and personal consultancy, we make sure that the operation of your systems is as energy-efficient, reliable and economical as possible. All the while our competent Wilo service technicians are ready to assist you with fast, reliable and on-time support.

## Recommended services

Wilo-Live Assistant Service	2216415
System Optimisation Glandless pumps	2219250
Energy Solutions Glandless pumps	2219285

## More suitable services

Extended warranty glandless pumps	2219589
Supervision Glandless pumps	2219320
Installation Glandless pumps	2219355
Commissioning Glandless pumps	2219390
Maintenance BASIC Glandless pumps	2219530
Maintenance COMFORT Glandless pumps	2219416
Maintenance PREMIUM Glandless pumps	2219545
Repair Glandless pumps	2219609



## Data sheet

### Hydraulic data

Maximum operating pressure $P_N$	10 bar
Head max $H_{max}$	16.6 m
Flow max $Q_{max}$	47.9 m <sup>3</sup> /h
Minimum suction head at 50 °C $m$	7 m
Minimum suction head at 95 °C $m$	15 m
Minimum suction head at 110 °C	23 m
Min. fluid temperature $T_{min}$	-20 °C
Max. fluid temperature $T_{max}$	110 °C
Min. ambient temperature $T_{min}$	-20 °C
Max. ambient temperature $T_{max}$	40 °C

### Motor data

Energy efficiency index (EEI)	0.20
Mains connection	1~230 V ±10%, 50/60 Hz
Min current $I_{min}$	0.3 A
Max current $I_{max}$	5.5 A
Rated power $P_2$	1050 W
Min. speed $n_{min}$	800 1/min
Max. speed $n_{max}$	3300 1/min
Power consumption $P_{1min}$	40 W
Power consumption $P_{1max}$	1250 W
Interference emission	EN 61800-3;2004+A1;2012 /residential area (C1)
Interference immunity	EN 61800-3;2004+A1;2012 /industrial environment (C2)
Threaded cable connection	2 x M20x1.5
Insulation class	F
Protection class	IPX4D

### Materials

Pump housing	Grey cast iron
Impeller	PPE/PS-GF30
Shaft	Stainless steel
Bearing	Carbon-graphite



### Installation dimensions

Pipe connection on the discharge side <i>DNd</i>	DN 50
Pipe connection on the suction side <i>DNs</i>	DN 50
Port-to-port length <i>L0</i>	340 mm

### Equipment/function

#### Function

Control mode	$\Delta p-v$ for variable differential pressure
	$\Delta p-c$ for constant differential pressure
	Constant speed (3 speed stages)
Multi pump operation	Main/Standby (with Connect Module Yonos MAXO)
Display	Setpoint
	Fault signals (error codes)

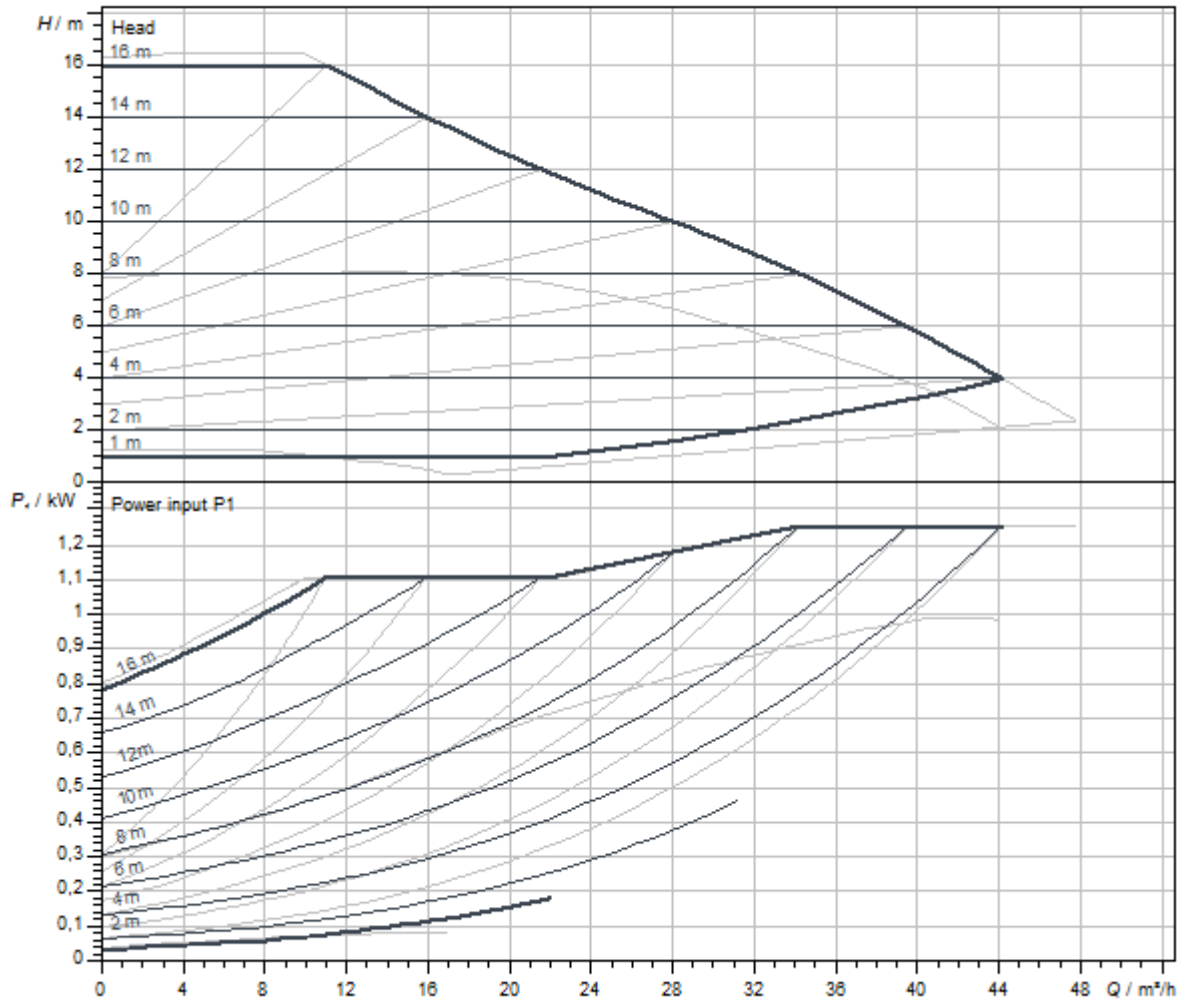
#### Equipment

Approvals and labels	CE
	VDE
	EAC
Display	LED segment display
Display information	Basic Version: LED display (small) for showing the set head or speed stage.
Pump control	Electronic-controlled pump (high efficiency pump)
Quick electrical connection	Wilo plug
Thermal insulation shell	As accessory
Blocking-current proof motor	yes
Particle filter	yes

#### Connectivity

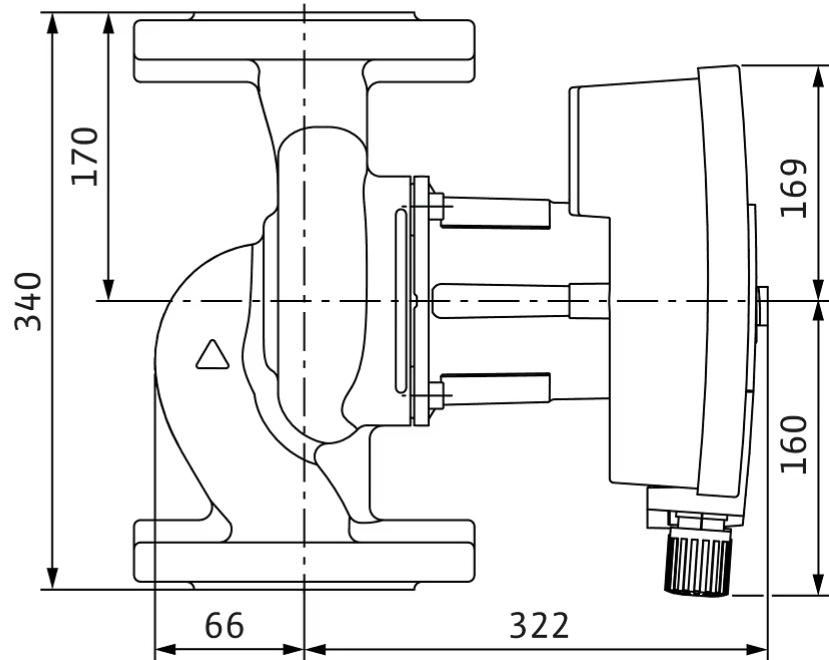
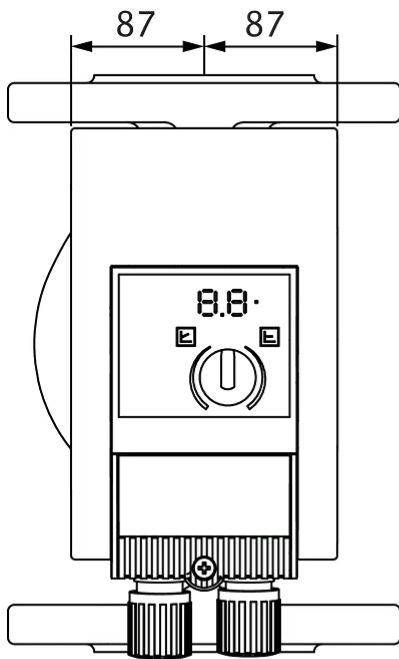
Digital input	Ext. OFF (via accessories Wilo-Connect module Yonos MAXO)
Digital output	SSM

Pump curves



Dimensions and dimensions drawings

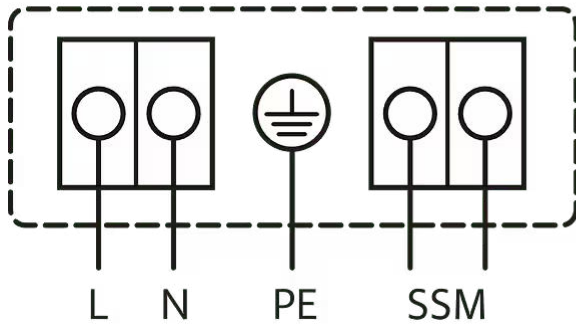
Yonos MAXO 50/0,5-16



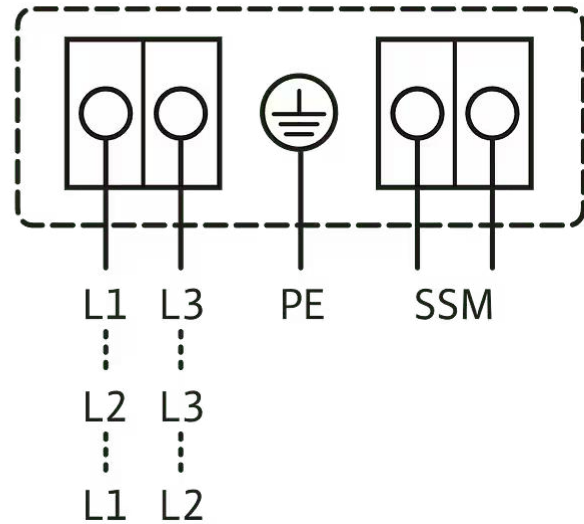
## Wiring diagram

1~230V, 50/60 Hz

1~ 230 V, 50/60 Hz



3~230 V, 50/60 Hz



Collective fault signal

SSM: (NC contact in accordance with VDI 3814, load capacity 1 A, 250 V ~)

Standard: 1~230 V, 50/60 Hz

Option: 3~230 V, 50/60 Hz

## Ordering information

### Product data

Brand	Wilo
Product description	Yonos MAXO 50/0,5-16 PN 6/10
Article number	<b>2120652</b>
EAN number	4048482407609
Colour	green/black
Minimum order quantity	1
Date of sales availability	2014-09-01

### Dimension, weight

Length with packaging	600 mm
Length <i>L</i>	340 mm
Height with packaging	400 mm
Height <i>H</i>	392 mm
Width with packaging	525 mm
Width <i>W</i>	183 mm
Gross weight, approx. <i>m</i>	28.5 kg
Net weight, approx. <i>m</i>	25 kg

### Packaging

Packaging type	Cardboard box
Packaging property	Transport packaging
Pieces per pallet	12
Number per layer	4

## Tender text

High efficiency pump Wilo-Yonos MAXO electronically controlled,

Glandless circulator, synchronous motor according to ECM technology and integrated power control for continuous differential pressure control. Can be used for all heating, ventilation and air-conditioning applications.

Standard-equipped with:

- > Preselectable control modes for optimum load adjustment:  $\Delta p$ -c (differential pressure constant),  $\Delta p$ -v (differential pressure variable)
- > 3 speed stages (n = constant)

- > LED for setting the setpoint and displaying error messages
- > Electrical connection with the Wilo plug
- > Fault lamp and contact for collective fault signal

For flange-end pumps - flange versions:

- > Standard version for pumps DN 32 to DN 65: PN 6/10 combination flange (PN 16 flange according to EN 1092-2) for PN 6 and PN 16 counter flanges
- > Standard version for DN 80/DN 100 pumps: PN 6 flange (designed for PN 16 according to EN 1092-2) for PN 6 counter flange

## Operating Data

Fluid temperature <i>T</i>	-20 °C
Ambient temperature <i>T</i>	-20 °C
Maximum operating pressure <i>PN</i>	10 bar
Minimum suction head at 50 °C <i>m</i>	7 m
Minimum suction head at 95 °C <i>m</i>	15 m
Minimum suction head at 110 °C	23 m

## Motor data

Energy efficiency index (EEI)	0.20
Interference emission	EN 61800-3;2004+A1;2012 /residential area (C1)
Interference immunity	EN 61800-3;2004+A1;2012 /industrial environment (C2)
Mains connection	1~230 V, 50/60 Hz
Power consumption <i>P</i> <sub>1 max</sub>	1250 W
Min. speed <i>n</i> <sub>min</sub>	800 1/min
Max. speed <i>n</i> <sub>max</sub>	3300 1/min
Protection class motor	IPX4D
Threaded cable connection	2 x M20x1.5

## Materials

Pump housing	Grey cast iron
Impeller	PPE/PS-GF30
Shaft	Stainless steel
Bearing	Carbon-graphite

## Installation dimensions

Pipe connection on the suction side <i>DNs</i>	DN 50
Pipe connection on the discharge side <i>DNd</i>	DN 50
Port-to-port length <i>L0</i>	340 mm

## Ordering information

Brand	Wilo
Product description	Yonos MAXO 50/0,5-16 PN 6/10
Net weight, approx. <i>m</i>	25 kg
Article number	<b>2120652</b>

## Services

With Wilo as your partner, you can not only be sure of choosing high-quality product solutions, but also of benefiting from a comprehensive, worry-free package of well thought-out services. We collaborate to develop a service concept tailored to your individual needs; with our expertise and personal consultancy, we make sure that the operation of your systems is as energy-efficient, reliable and economical as possible. All the while our competent Wilo service technicians are ready to assist you with fast, reliable and on-time support.

## Recommended services

Wilo-Live Assistant Service	2216415
System Optimisation Glandless pumps	2219250
Energy Solutions Glandless pumps	2219285

## More suitable services

Extended warranty glandless pumps	2219589
Supervision Glandless pumps	2219320
Installation Glandless pumps	2219355
Commissioning Glandless pumps	2219390
Maintenance BASIC Glandless pumps	2219530
Maintenance COMFORT Glandless pumps	2219416
Maintenance PREMIUM Glandless pumps	2219545
Repair Glandless pumps	2219609



## Data sheet

### Hydraulic data

Maximum operating pressure $P_N$	10 bar
Head max $H_{max}$	10.1 m
Flow max $Q_{max}$	32.2 m <sup>3</sup> /h
Minimum suction head at 50 °C $m$	5 m
Minimum suction head at 95 °C $m$	12 m
Minimum suction head at 110 °C	18 m
Min. fluid temperature $T_{min}$	-20 °C
Max. fluid temperature $T_{max}$	110 °C
Min. ambient temperature $T_{min}$	-20 °C
Max. ambient temperature $T_{max}$	40 °C

### Motor data

Energy efficiency index (EEI)	0.20
Mains connection	1~230 V ±10%, 50/60 Hz
Min current $I_{min}$	0.17 A
Max current $I_{max}$	2.65 A
Rated power $P_2$	500 W
Min. speed $n_{min}$	950 1/min
Max. speed $n_{max}$	4100 1/min
Power consumption $P_{1 min}$	15 W
Power consumption $P_{1 max}$	600 W
Interference emission	EN 61800-3;2004+A1;2012 /residential area (C1)
Interference immunity	EN 61800-3;2004+A1;2012 /industrial environment (C2)
Threaded cable connection	2 x M20x1.5
Insulation class	F
Protection class	IPX4D

### Materials

Pump housing	Grey cast iron
Impeller	PP-LGF50
Shaft	Stainless steel
Bearing	Carbon-graphite

### Installation dimensions

Pipe connection on the discharge side <i>DNd</i>	DN 65
Pipe connection on the suction side <i>DNs</i>	DN 65
Port-to-port length <i>L0</i>	280 mm

### Equipment/function

#### Function

Control mode	$\Delta p-v$ for variable differential pressure
	$\Delta p-c$ for constant differential pressure
	Constant speed (3 speed stages)
Multi pump operation	Main/Standby (with Connect Module Yonos MAXO)
Display	Setpoint
	Fault signals (error codes)

#### Equipment

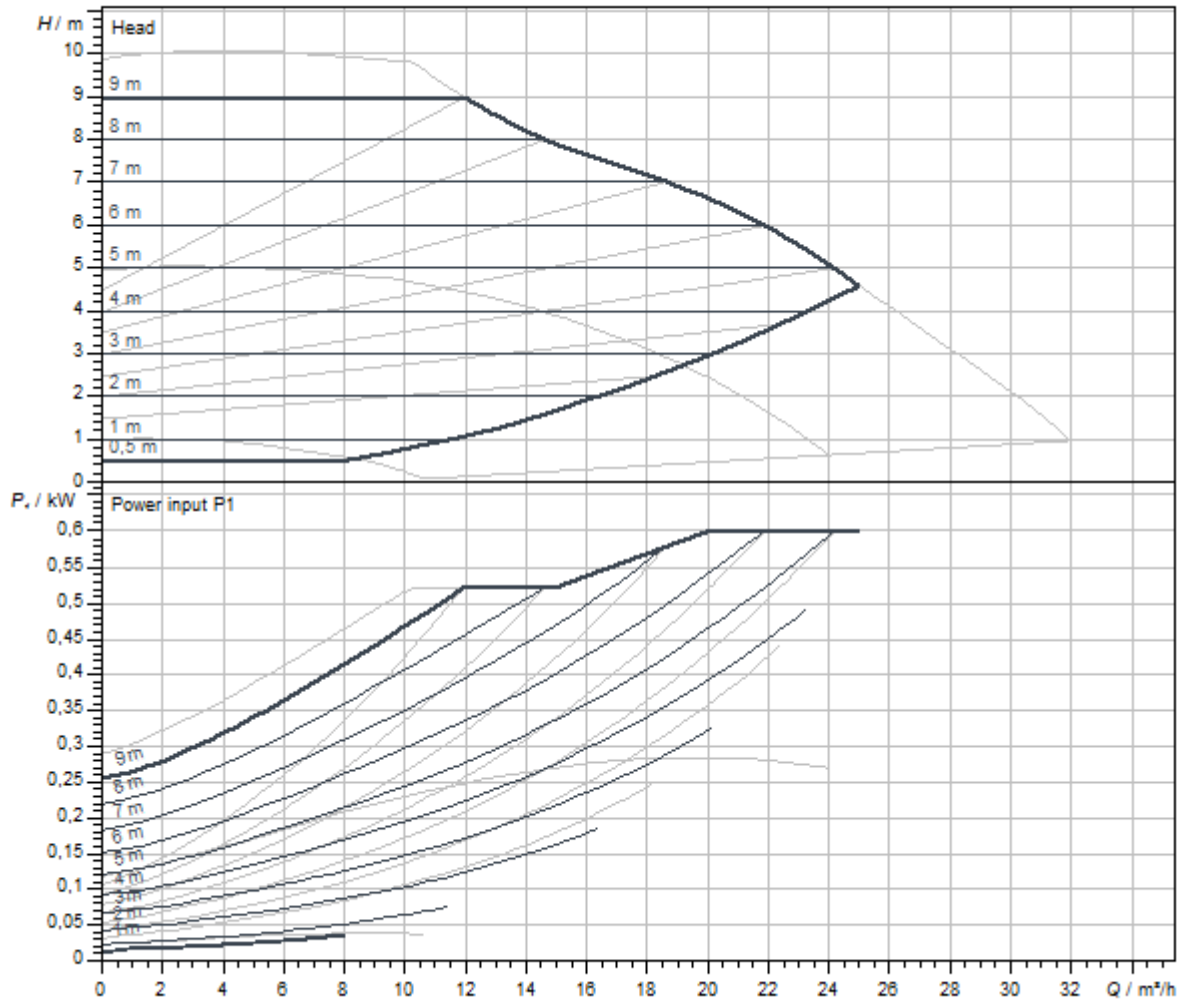
Approvals and labels	CE
	VDE
	EAC
Display	LED segment display
Display information	Basic Version: LED display (small) for showing the set head or speed stage.
Pump control	Electronic-controlled pump (high efficiency pump)
Quick electrical connection	Wilo plug
Thermal insulation shell	As accessory
Blocking-current proof motor	yes
Particle filter	yes

#### Connectivity

Digital input	Ext. OFF (via accessories Wilo-Connect module Yonos MAXO)
Digital output	SSM

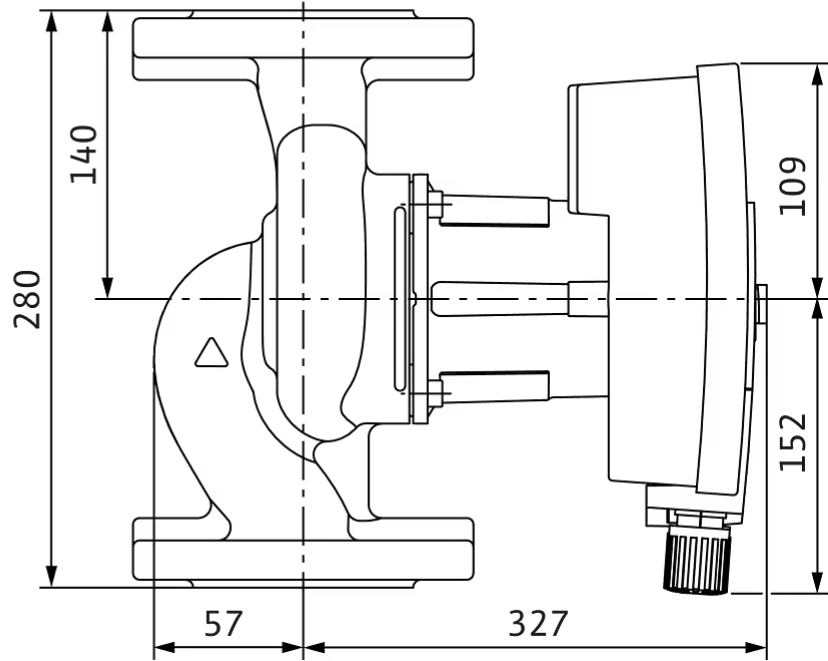
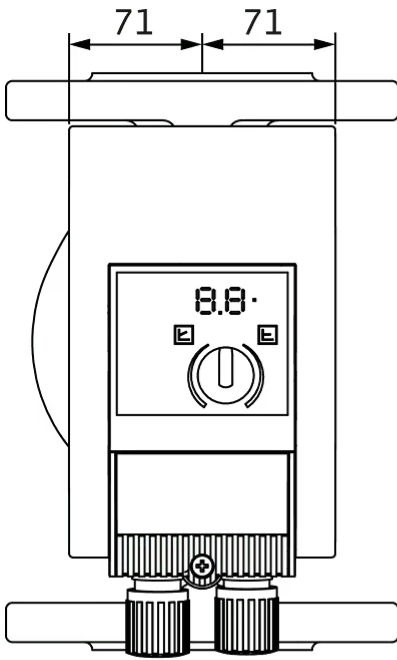


Pump curves



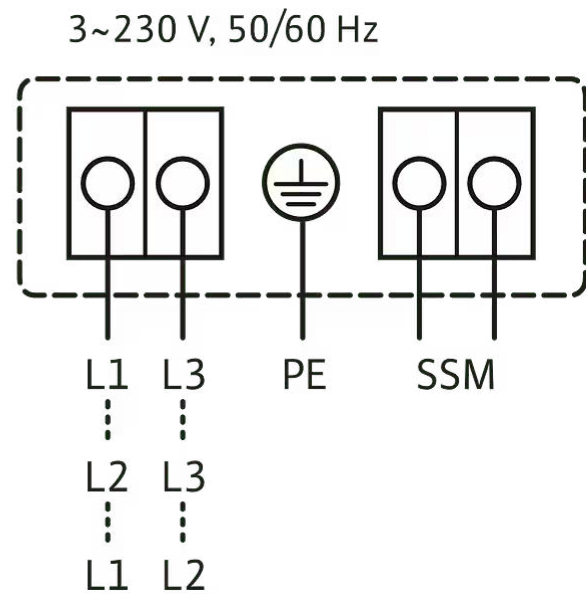
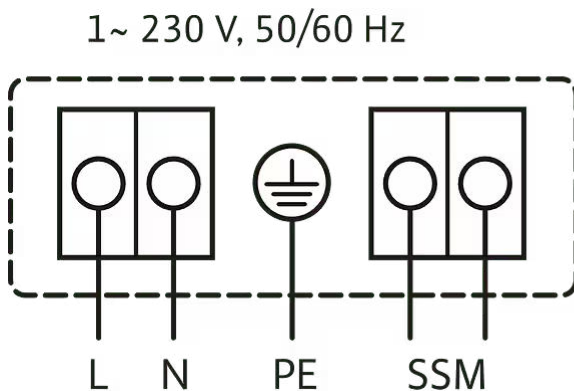
Dimensions and dimensions drawings

Yonos MAXO 65/0,5-9



## Wiring diagram

1~230V, 50/60 Hz



Collective fault signal

SSM:  
(NC contact in accordance with VDI 3814, load capacity 1 A, 250 V ~)

Standard: 1~230 V, 50/60 Hz

Option: 3~230 V, 50/60 Hz

## Ordering information

### Product data

Brand	Wilo
Product description	Yonos MAXO 65/0,5-9 PN 6/10
Article number	<b>2120653</b>
EAN number	4048482235981
Colour	green/black
Minimum order quantity	1
Date of sales availability	2013-09-01

### Dimension, weight

Length with packaging	585 mm
Length <i>L</i>	292 mm
Height with packaging	385 mm
Height <i>H</i>	407 mm
Width with packaging	364 mm
Width <i>W</i>	185 mm
Gross weight, approx. <i>m</i>	18 kg
Net weight, approx. <i>m</i>	16.1 kg

### Packaging

Packaging type	Cardboard box
Packaging property	Transport packaging
Pieces per pallet	36
Number per layer	9

## Tender text

High efficiency pump Wilo-Yonos MAXO electronically controlled,

Glandless circulator, synchronous motor according to ECM technology and integrated power control for continuous differential pressure control. Can be used for all heating, ventilation and air-conditioning applications.

Standard-equipped with:

- > Preselectable control modes for optimum load adjustment:  $\Delta p$ -c (differential pressure constant),  $\Delta p$ -v (differential pressure variable)
- > 3 speed stages ( $n$  = constant)

- > LED for setting the setpoint and displaying error messages
- > Electrical connection with the Wilo plug
- > Fault lamp and contact for collective fault signal

For flange-end pumps - flange versions:

- > Standard version for pumps DN 32 to DN 65: PN 6/10 combination flange (PN 16 flange according to EN 1092-2) for PN 6 and PN 16 counter flanges
- > Standard version for DN 80/DN 100 pumps: PN 6 flange (designed for PN 16 according to EN 1092-2) for PN 6 counter flange

## Operating Data

Fluid temperature $T$	-20 °C
Ambient temperature $T$	-20 °C
Maximum operating pressure $PN$	10 bar
Minimum suction head at 50 °C $m$	5 m
Minimum suction head at 95 °C $m$	12 m
Minimum suction head at 110 °C	18 m

## Motor data

Energy efficiency index (EEI)	0.20
Interference emission	EN 61800-3;2004+A1;2012 /residential area (C1)
Interference immunity	EN 61800-3;2004+A1;2012 /industrial environment (C2)
Mains connection	1~230 V, 50/60 Hz
Power consumption $P_{1\max}$	600 W
Min. speed $n_{\min}$	950 1/min
Max. speed $n_{\max}$	4100 1/min
Protection class motor	IPX4D
Threaded cable connection	2 x M20x1.5

## Materials

Pump housing	Grey cast iron
Impeller	PP-LGF50
Shaft	Stainless steel
Bearing	Carbon-graphite

## Installation dimensions

Pipe connection on the suction side $DN_s$	DN 65
Pipe connection on the discharge side $DN_d$	DN 65
Port-to-port length $LO$	280 mm

## Ordering information

Brand	Wilo
Product description	Yonos MAXO 65/0,5-9 PN 6/10
Net weight, approx. $m$	16.1 kg
Article number	<b>2120653</b>

## Services

With Wilo as your partner, you can not only be sure of choosing high-quality product solutions, but also of benefiting from a comprehensive, worry-free package of well thought-out services. We collaborate to develop a service concept tailored to your individual needs; with our expertise and personal consultancy, we make sure that the operation of your systems is as energy-efficient, reliable and economical as possible. All the while our competent Wilo service technicians are ready to assist you with fast, reliable and on-time support.

## Recommended services

Wilo-Live Assistant Service	2216415
System Optimisation Glandless pumps	2219250
Energy Solutions Glandless pumps	2219285

## More suitable services

Extended warranty glandless pumps	2219589
Supervision Glandless pumps	2219320
Installation Glandless pumps	2219355
Commissioning Glandless pumps	2219390
Maintenance BASIC Glandless pumps	2219530
Maintenance COMFORT Glandless pumps	2219416
Maintenance PREMIUM Glandless pumps	2219545
Repair Glandless pumps	2219609



## Data sheet

### Hydraulic data

Maximum operating pressure $P_N$	10 bar
Head max $H_{max}$	11.7 m
Flow max $Q_{max}$	46.3 m <sup>3</sup> /h
Minimum suction head at 50 °C $m$	7 m
Minimum suction head at 95 °C $m$	15 m
Minimum suction head at 110 °C	23 m
Min. fluid temperature $T_{min}$	-20 °C
Max. fluid temperature $T_{max}$	110 °C
Min. ambient temperature $T_{min}$	-20 °C
Max. ambient temperature $T_{max}$	40 °C

### Motor data

Energy efficiency index (EEI)	0.20
Mains connection	1~230 V ±10%, 50/60 Hz
Min current $I_{min}$	0.3 A
Max current $I_{max}$	3.5 A
Rated power $P_2$	650 W
Min. speed $n_{min}$	800 1/min
Max. speed $n_{max}$	2800 1/min
Power consumption $P_{1 min}$	40 W
Power consumption $P_{1 max}$	800 W
Interference emission	EN 61800-3;2004+A1;2012 /residential area (C1)
Interference immunity	EN 61800-3;2004+A1;2012 /industrial environment (C2)
Threaded cable connection	2 x M20x1.5
Insulation class	F
Protection class	IPX4D

### Materials

Pump housing	Grey cast iron
Impeller	PPE/PS-GF30
Shaft	Stainless steel
Bearing	Carbon-graphite

### Installation dimensions

Pipe connection on the discharge side <i>DNd</i>	DN 65
Pipe connection on the suction side <i>DNs</i>	DN 65
Port-to-port length <i>L0</i>	340 mm

### Equipment/function

#### Function

Control mode	$\Delta p$ -v for variable differential pressure
	$\Delta p$ -c for constant differential pressure
	Constant speed (3 speed stages)
Multi pump operation	Main/Standby (with Connect Module Yonos MAXO)
Display	Setpoint
	Fault signals (error codes)

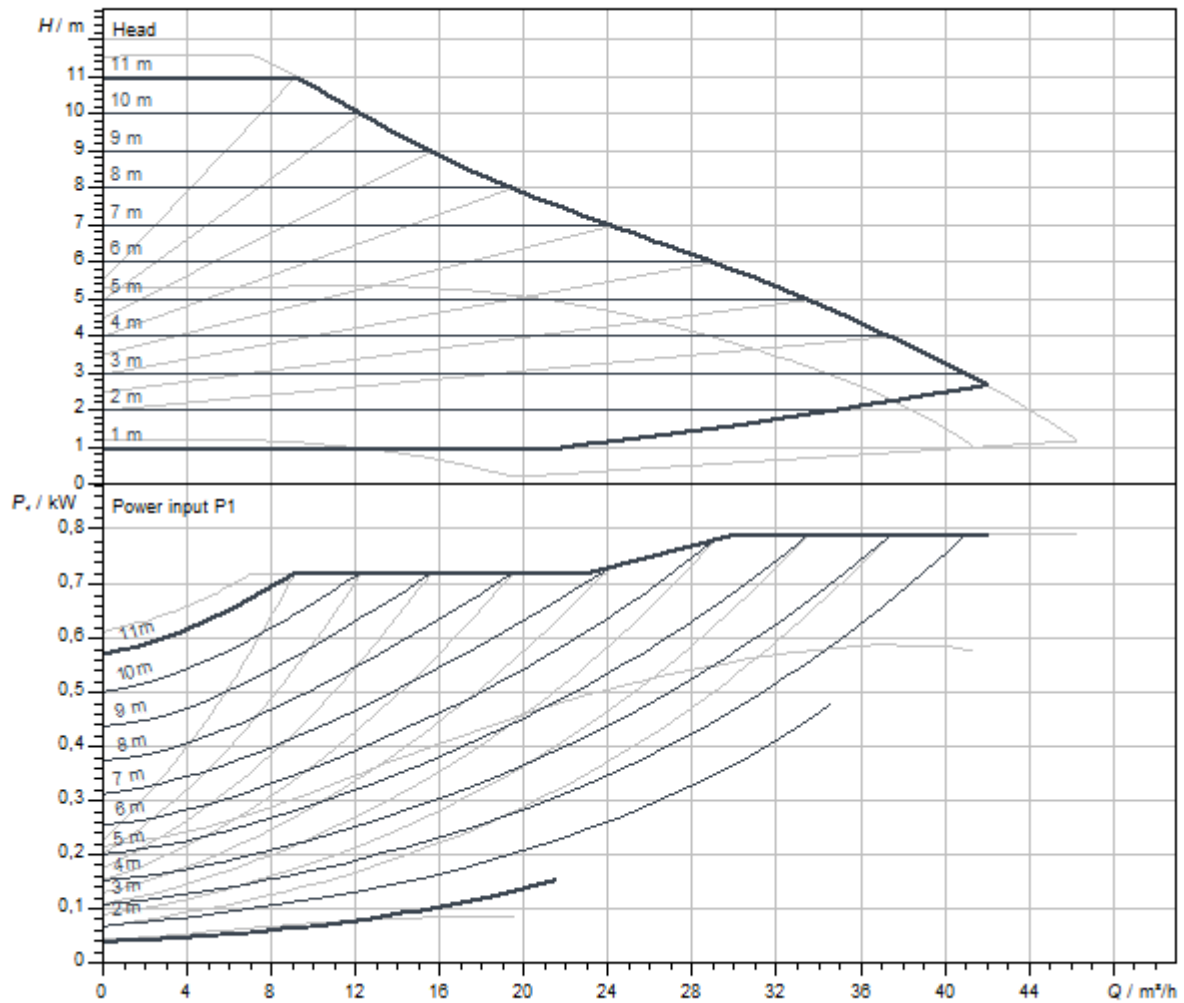
#### Equipment

Approvals and labels	CE
	VDE
	EAC
Display	LED segment display
Display information	Basic Version: LED display (small) for showing the set head or speed stage.
Pump control	Electronic-controlled pump (high efficiency pump)
Quick electrical connection	Wilo plug
Thermal insulation shell	As accessory
Blocking-current proof motor	yes
Particle filter	yes

#### Connectivity

Digital input	Ext. OFF (via accessories Wilo-Connect module Yonos MAXO)
Digital output	SSM

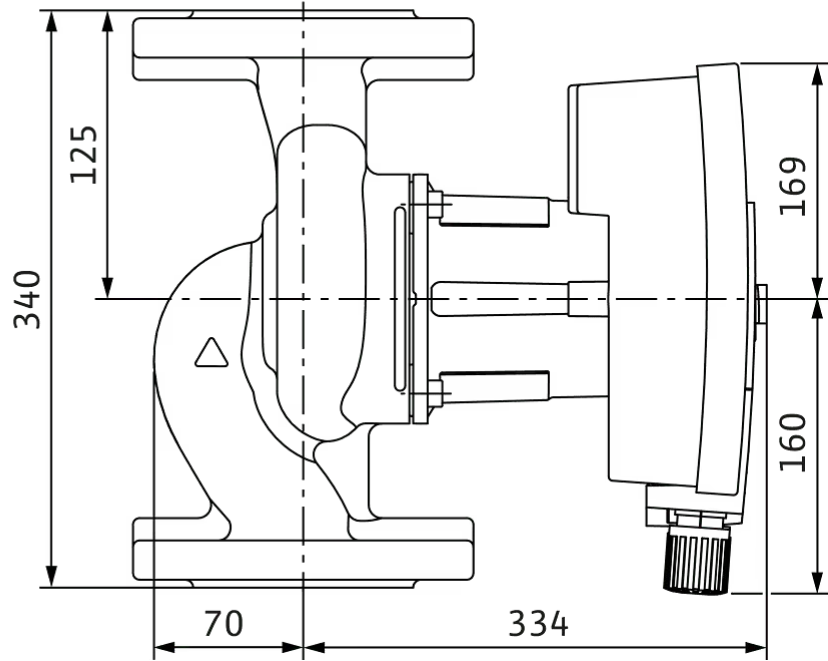
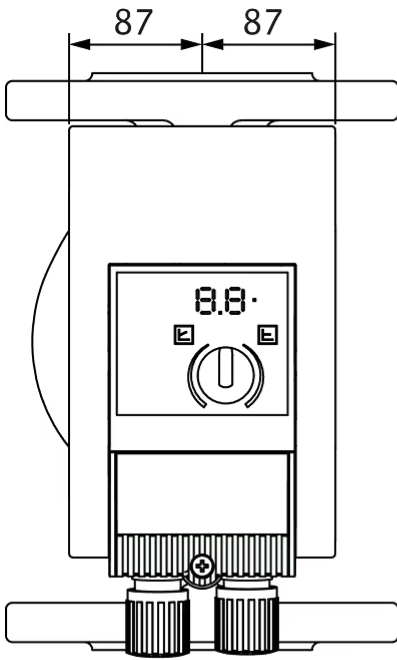
Pump curves





Dimensions and dimensions drawings

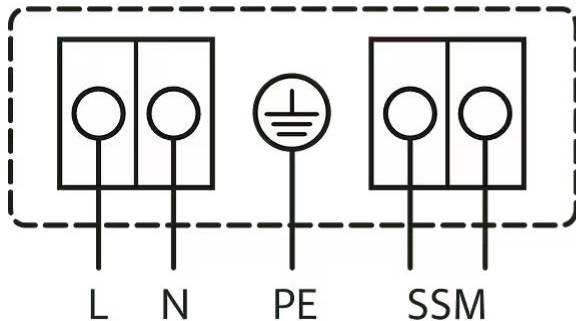
Yonos MAXO 65/0,5-12



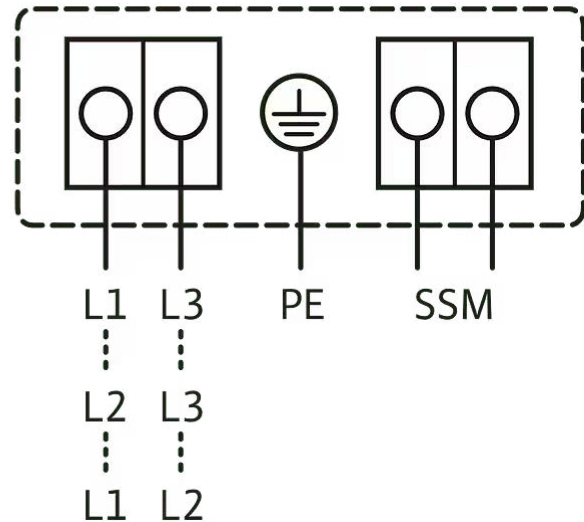
## Wiring diagram

1~230V, 50/60 Hz

1~ 230 V, 50/60 Hz



3~230 V, 50/60 Hz



Collective fault signal

SSM: (NC contact in accordance with VDI 3814, load capacity 1 A, 250 V ~)

Standard: 1~230 V, 50/60 Hz

Option: 3~230 V, 50/60 Hz

## Ordering information

### Product data

Brand	Wilo
Product description	Yonos MAXO 65/0,5-12 PN 6/10
Article number	<b>2120654</b>
EAN number	4048482407913
Colour	green/black
Minimum order quantity	1
Date of sales availability	2014-09-01

### Dimension, weight

Length with packaging	600 mm
Length <i>L</i>	340 mm
Height with packaging	400 mm
Height <i>H</i>	411 mm
Width with packaging	525 mm
Width <i>W</i>	194 mm
Gross weight, approx. <i>m</i>	29.3 kg
Net weight, approx. <i>m</i>	25.8 kg

### Packaging

Packaging type	Cardboard box
Packaging property	Transport packaging
Pieces per pallet	12
Number per layer	4

## Tender text

High efficiency pump Wilo-Yonos MAXO electronically controlled,

Glandless circulator, synchronous motor according to ECM technology and integrated power control for continuous differential pressure control. Can be used for all heating, ventilation and air-conditioning applications.

Standard-equipped with:

- > Preselectable control modes for optimum load adjustment:  $\Delta p$ -c (differential pressure constant),  $\Delta p$ -v (differential pressure variable)
- > 3 speed stages ( $n$  = constant)

- > LED for setting the setpoint and displaying error messages
- > Electrical connection with the Wilo plug
- > Fault lamp and contact for collective fault signal

For flange-end pumps - flange versions:

- > Standard version for pumps DN 32 to DN 65: PN 6/10 combination flange (PN 16 flange according to EN 1092-2) for PN 6 and PN 16 counter flanges
- > Standard version for DN 80/DN 100 pumps: PN 6 flange (designed for PN 16 according to EN 1092-2) for PN 6 counter flange

## Operating Data

Fluid temperature $T$	-20 °C
Ambient temperature $T$	-20 °C
Maximum operating pressure $PN$	10 bar
Minimum suction head at 50 °C $m$	7 m
Minimum suction head at 95 °C $m$	15 m
Minimum suction head at 110 °C	23 m

## Motor data

Energy efficiency index (EEI)	0.20
Interference emission	EN 61800-3;2004+A1;2012 /residential area (C1)
Interference immunity	EN 61800-3;2004+A1;2012 /industrial environment (C2)
Mains connection	1~230 V, 50/60 Hz
Power consumption $P_{1\max}$	800 W
Min. speed $n_{\min}$	800 1/min
Max. speed $n_{\max}$	2800 1/min
Protection class motor	IPX4D
Threaded cable connection	2 x M20x1.5

## Materials

Pump housing	Grey cast iron
Impeller	PPE/PS-GF30
Shaft	Stainless steel
Bearing	Carbon-graphite

## Installation dimensions

Pipe connection on the suction side $DN_s$	DN 65
Pipe connection on the discharge side $DN_d$	DN 65
Port-to-port length $L_0$	340 mm

## Ordering information

Brand	Wilo
Product description	Yonos MAXO 65/0,5-12 PN 6/10
Net weight, approx. $m$	25.8 kg
Article number	<b>2120654</b>

## Services

With Wilo as your partner, you can not only be sure of choosing high-quality product solutions, but also of benefiting from a comprehensive, worry-free package of well thought-out services. We collaborate to develop a service concept tailored to your individual needs; with our expertise and personal consultancy, we make sure that the operation of your systems is as energy-efficient, reliable and economical as possible. All the while our competent Wilo service technicians are ready to assist you with fast, reliable and on-time support.

## Recommended services

Wilo-Live Assistant Service	2216415
System Optimisation Glandless pumps	2219250
Energy Solutions Glandless pumps	2219285

## More suitable services

Extended warranty glandless pumps	2219589
Supervision Glandless pumps	2219320
Installation Glandless pumps	2219355
Commissioning Glandless pumps	2219390
Maintenance BASIC Glandless pumps	2219530
Maintenance COMFORT Glandless pumps	2219416
Maintenance PREMIUM Glandless pumps	2219545
Repair Glandless pumps	2219609



## Data sheet

### Hydraulic data

Maximum operating pressure $P_N$	10 bar
Head max $H_{max}$	17.2 m
Flow max $Q_{max}$	57.3 m <sup>3</sup> /h
Minimum suction head at 50 °C $m$	7 m
Minimum suction head at 95 °C $m$	15 m
Minimum suction head at 110 °C	23 m
Min. fluid temperature $T_{min}$	-20 °C
Max. fluid temperature $T_{max}$	110 °C
Min. ambient temperature $T_{min}$	-20 °C
Max. ambient temperature $T_{max}$	40 °C

### Motor data

Energy efficiency index (EEI)	0.20
Mains connection	1~230 V ±10%, 50/60 Hz
Min current $I_{min}$	0.3 A
Max current $I_{max}$	6.4 A
Rated power $P_2$	1200 W
Min. speed $n_{min}$	800 1/min
Max. speed $n_{max}$	3400 1/min
Power consumption $P_{1 min}$	40 W
Power consumption $P_{1 max}$	1450 W
Interference emission	EN 61800-3;2004+A1;2012 /residential area (C1)
Interference immunity	EN 61800-3;2004+A1;2012 /industrial environment (C2)
Threaded cable connection	2 x M20x1.5
Insulation class	F
Protection class	IPX4D

### Materials

Pump housing	Grey cast iron
Impeller	PP-LGF50
Shaft	Stainless steel
Bearing	Carbon-graphite

### Installation dimensions

Pipe connection on the discharge side <i>DNd</i>	DN 65
Pipe connection on the suction side <i>DNs</i>	DN 65
Port-to-port length <i>L0</i>	340 mm

### Equipment/function

#### Function

Control mode	$\Delta p$ -v for variable differential pressure
	$\Delta p$ -c for constant differential pressure
	Constant speed (3 speed stages)
Multi pump operation	Main/Standby (with Connect Module Yonos MAXO)
Display	Setpoint
	Fault signals (error codes)

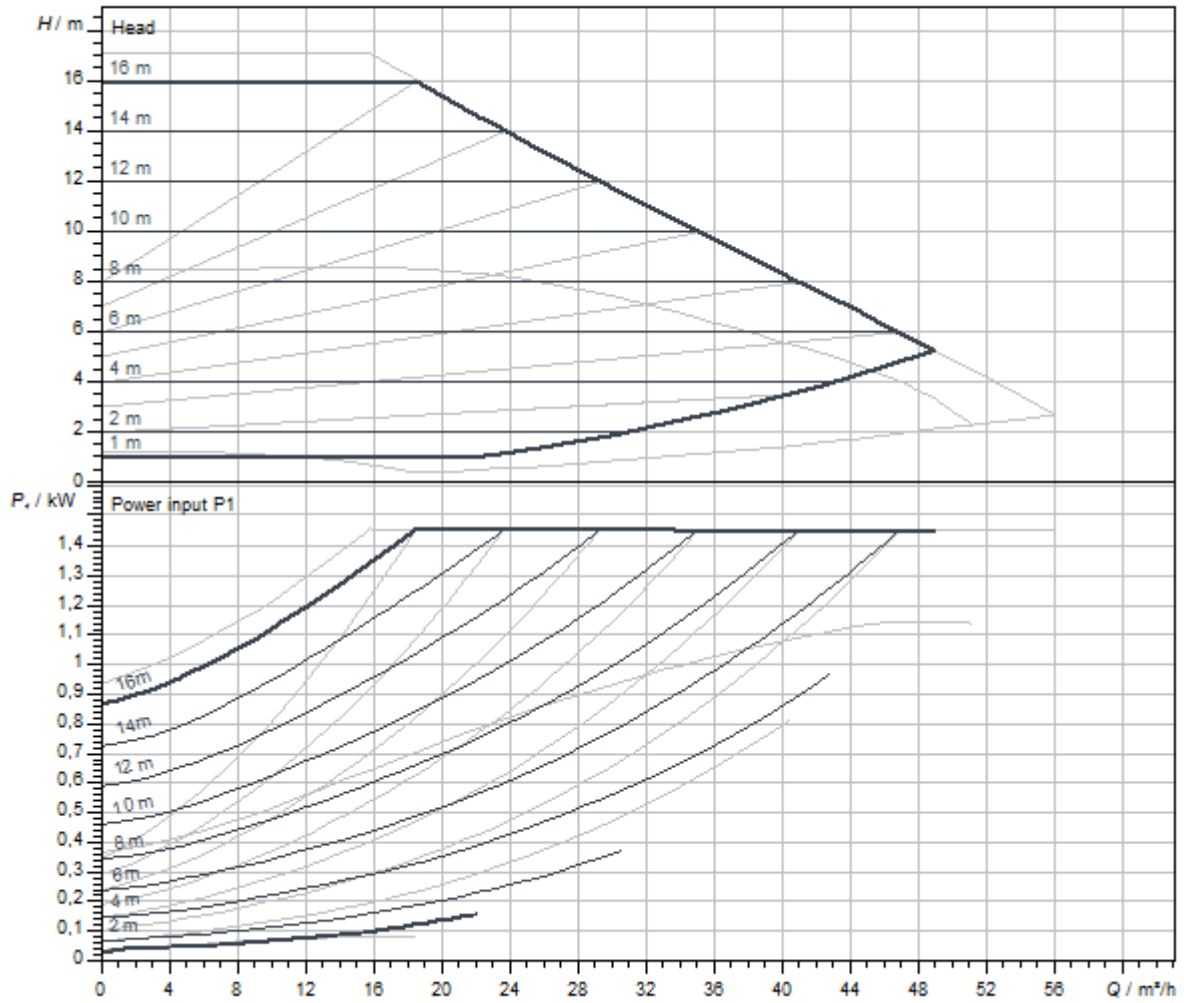
#### Equipment

Approvals and labels	CE
	VDE
	EAC
Display	LED segment display
Display information	Basic Version: LED display (small) for showing the set head or speed stage.
Pump control	Electronic-controlled pump (high efficiency pump)
Quick electrical connection	Wilo plug
Thermal insulation shell	As accessory
Blocking-current proof motor	yes
Particle filter	yes

#### Connectivity

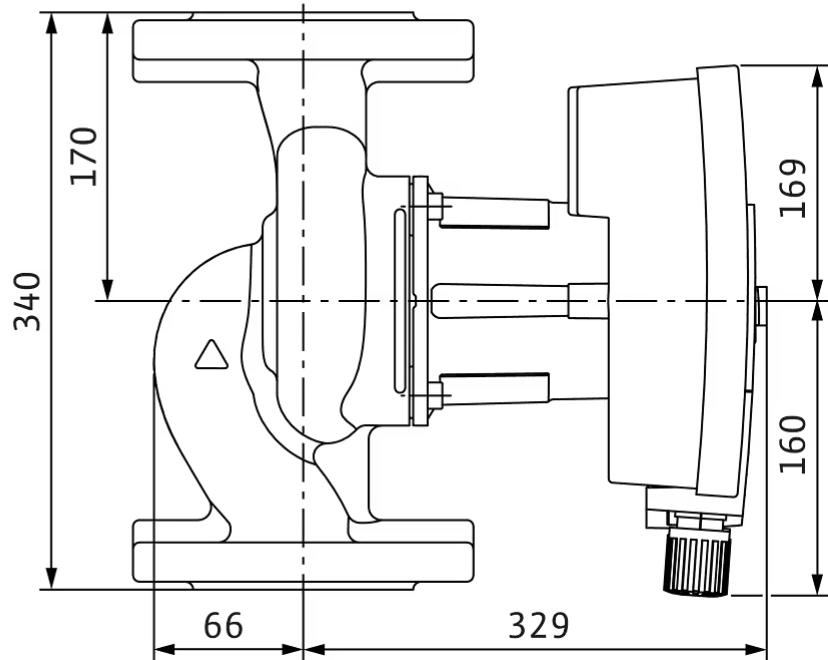
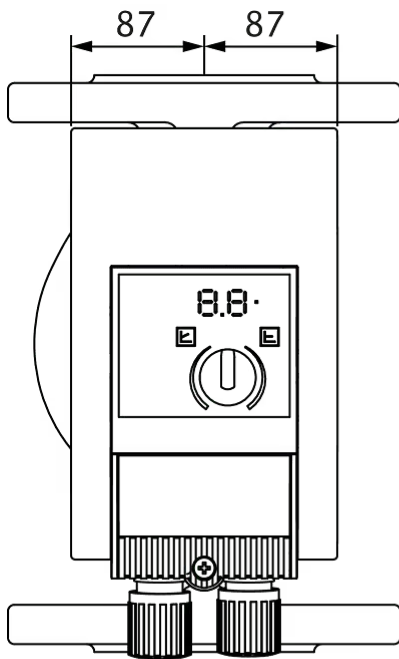
Digital input	Ext. OFF (via accessories Wilo-Connect module Yonos MAXO)
Digital output	SSM

Pump curves



Dimensions and dimensions drawings

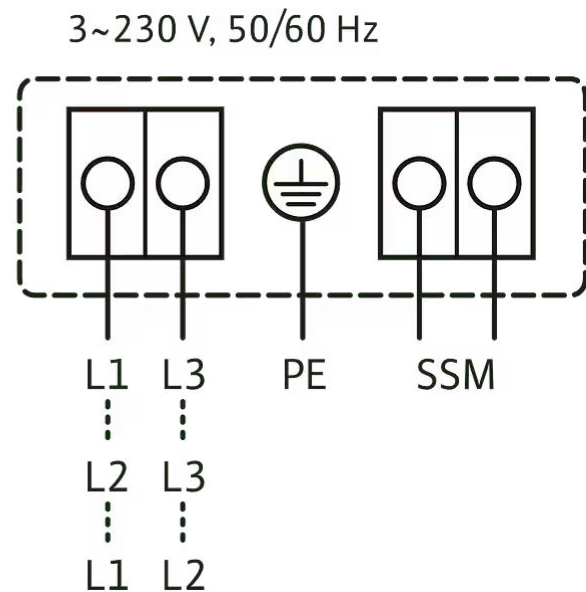
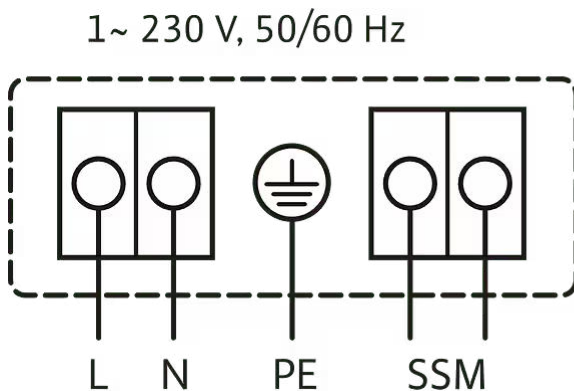
Yonos MAXO 65/0,5-16





## Wiring diagram

1~230V, 50/60 Hz



Collective fault signal

SSM: (NC contact in accordance with VDI 3814, load capacity 1 A, 250 V ~)

Standard: 1~230 V, 50/60 Hz

Option: 3~230 V, 50/60 Hz

## Ordering information

### Product data

Brand	Wilo
Product description	Yonos MAXO 65/0,5-16 PN 6/10
Article number	<b>2120655</b>
EAN number	4048482407920
Colour	green/black
Minimum order quantity	1
Date of sales availability	2014-09-01

### Dimension, weight

Length with packaging	600 mm
Length <i>L</i>	340 mm
Height with packaging	400 mm
Height <i>H</i>	408 mm
Width with packaging	525 mm
Width <i>W</i>	193 mm
Gross weight, approx. <i>m</i>	31 kg
Net weight, approx. <i>m</i>	27.5 kg

### Packaging

Packaging type	Cardboard box
Packaging property	Transport packaging
Pieces per pallet	12
Number per layer	4

## Tender text

High efficiency pump Wilo-Yonos MAXO electronically controlled,

Glandless circulator, synchronous motor according to ECM technology and integrated power control for continuous differential pressure control. Can be used for all heating, ventilation and air-conditioning applications.

Standard-equipped with:

- > Preselectable control modes for optimum load adjustment:  $\Delta p$ -c (differential pressure constant),  $\Delta p$ -v (differential pressure variable)
- > 3 speed stages (n = constant)

- > LED for setting the setpoint and displaying error messages
- > Electrical connection with the Wilo plug
- > Fault lamp and contact for collective fault signal

For flange-end pumps - flange versions:

- > Standard version for pumps DN 32 to DN 65: PN 6/10 combination flange (PN 16 flange according to EN 1092-2) for PN 6 and PN 16 counter flanges
- > Standard version for DN 80/DN 100 pumps: PN 6 flange (designed for PN 16 according to EN 1092-2) for PN 6 counter flange

## Operating Data

Fluid temperature <i>T</i>	-20 °C
Ambient temperature <i>T</i>	-20 °C
Maximum operating pressure <i>PN</i>	10 bar
Minimum suction head at 50 °C <i>m</i>	7 m
Minimum suction head at 95 °C <i>m</i>	15 m
Minimum suction head at 110 °C	23 m

## Motor data

Energy efficiency index (EEI)	0.20
Interference emission	EN 61800-3;2004+A1;2012 /residential area (C1)
Interference immunity	EN 61800-3;2004+A1;2012 /industrial environment (C2)
Mains connection	1~230 V, 50/60 Hz
Power consumption <i>P</i> <sub>1 max</sub>	1450 W
Min. speed <i>n</i> <sub>min</sub>	800 1/min
Max. speed <i>n</i> <sub>max</sub>	3400 1/min
Protection class motor	IPX4D
Threaded cable connection	2 x M20x1.5

## Materials

Pump housing	Grey cast iron
Impeller	PP-LGF50
Shaft	Stainless steel
Bearing	Carbon-graphite

## Installation dimensions

Pipe connection on the suction side <i>DN</i> <sub>s</sub>	DN 65
Pipe connection on the discharge side <i>DN</i> <sub>d</sub>	DN 65
Port-to-port length <i>L</i> <sub>0</sub>	340 mm

## Ordering information

Brand	Wilo
Product description	Yonos MAXO 65/0,5-16 PN 6/10
Net weight, approx. <i>m</i>	27.5 kg
Article number	<b>2120655</b>

## Services

With Wilo as your partner, you can not only be sure of choosing high-quality product solutions, but also of benefiting from a comprehensive, worry-free package of well thought-out services. We collaborate to develop a service concept tailored to your individual needs; with our expertise and personal consultancy, we make sure that the operation of your systems is as energy-efficient, reliable and economical as possible. All the while our competent Wilo service technicians are ready to assist you with fast, reliable and on-time support.

## Recommended services

Wilo-Live Assistant Service	2216415
System Optimisation Glandless pumps	2219250
Energy Solutions Glandless pumps	2219285

## More suitable services

Extended warranty glandless pumps	2219589
Supervision Glandless pumps	2219320
Installation Glandless pumps	2219355
Commissioning Glandless pumps	2219390
Maintenance BASIC Glandless pumps	2219530
Maintenance COMFORT Glandless pumps	2219416
Maintenance PREMIUM Glandless pumps	2219545
Repair Glandless pumps	2219609



## Data sheet

### Hydraulic data

Maximum operating pressure $P_N$	6 bar
Head max $H_{max}$	7.1 m
Flow max $Q_{max}$	50.9 m <sup>3</sup> /h
Minimum suction head at 50 °C $m$	7 m
Minimum suction head at 95 °C $m$	15 m
Minimum suction head at 110 °C	23 m
Min. fluid temperature $T_{min}$	-20 °C
Max. fluid temperature $T_{max}$	110 °C
Min. ambient temperature $T_{min}$	-20 °C
Max. ambient temperature $T_{max}$	40 °C

### Motor data

Energy efficiency index (EEI)	0.20
Mains connection	1~230 V ±10%, 50/60 Hz
Min current $I_{min}$	0.3 A
Max current $I_{max}$	3.5 A
Rated power $P_2$	650 W
Min. speed $n_{min}$	900 1/min
Max. speed $n_{max}$	2400 1/min
Power consumption $P_{1min}$	40 W
Power consumption $P_{1max}$	800 W
Interference emission	EN 61800-3;2004+A1;2012 /residential area (C1)
Interference immunity	EN 61800-3;2004+A1;2012 /industrial environment (C2)
Threaded cable connection	2 x M20x1.5
Insulation class	F
Protection class	IPX4D

### Materials

Pump housing	Grey cast iron
Impeller	PP-LGF50
Shaft	Stainless steel
Bearing	Carbon-graphite

### Installation dimensions

Pipe connection on the discharge side <i>DNd</i>	DN 80
Pipe connection on the suction side <i>DNs</i>	DN 80
Port-to-port length <i>L0</i>	360 mm

### Equipment/function

#### Function

Control mode	$\Delta p-v$ for variable differential pressure
	$\Delta p-c$ for constant differential pressure
	Constant speed (3 speed stages)
Multi pump operation	Main/Standby (with Connect Module Yonos MAXO)
Display	Setpoint
	Fault signals (error codes)

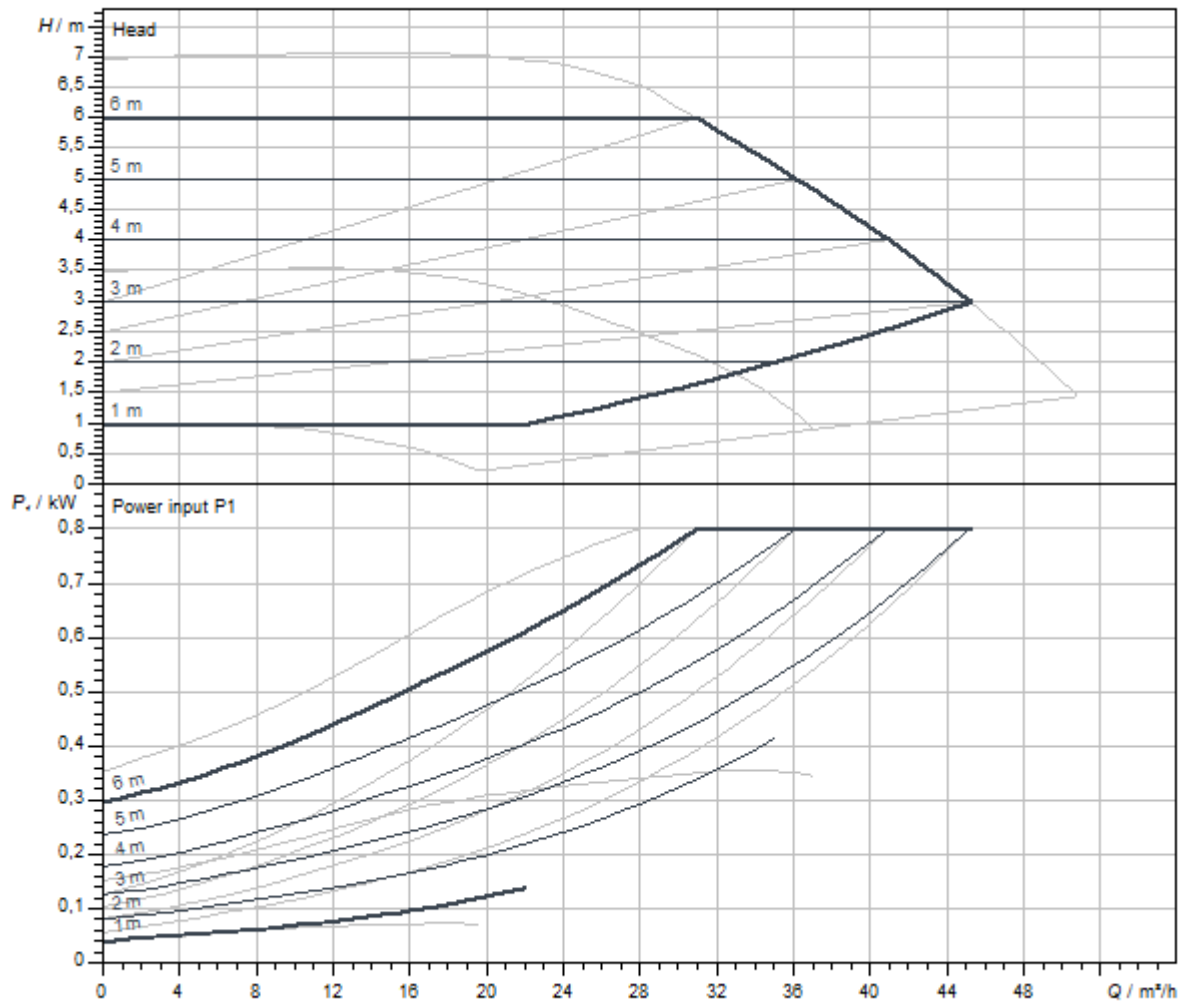
#### Equipment

Approvals and labels	CE
	VDE
	EAC
Display	LED segment display
Display information	Basic Version: LED display (small) for showing the set head or speed stage.
Pump control	Electronic-controlled pump (high efficiency pump)
Quick electrical connection	Wilo plug
Thermal insulation shell	As accessory
Blocking-current proof motor	yes
Particle filter	yes

#### Connectivity

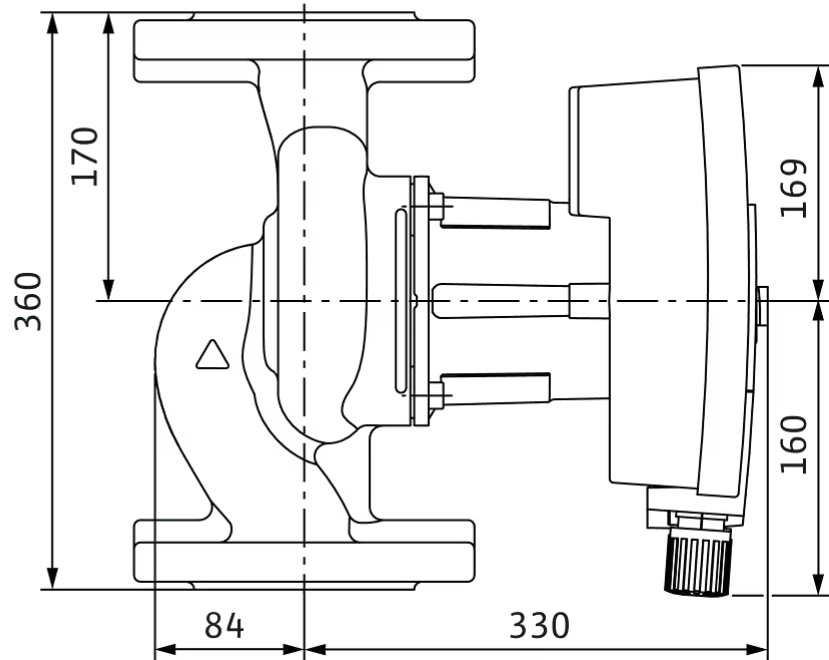
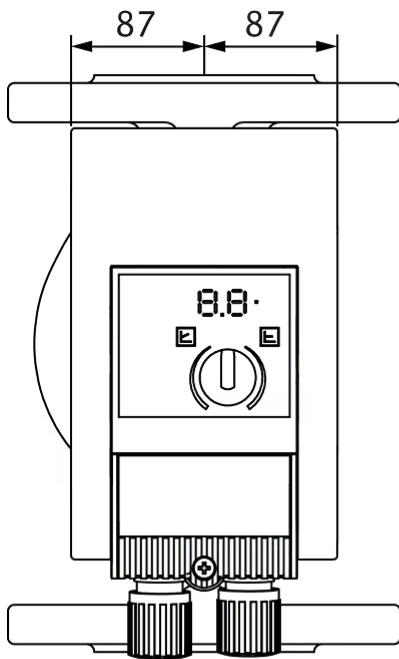
Digital input	Ext. OFF (via accessories Wilo-Connect module Yonos MAXO)
Digital output	SSM

Pump curves



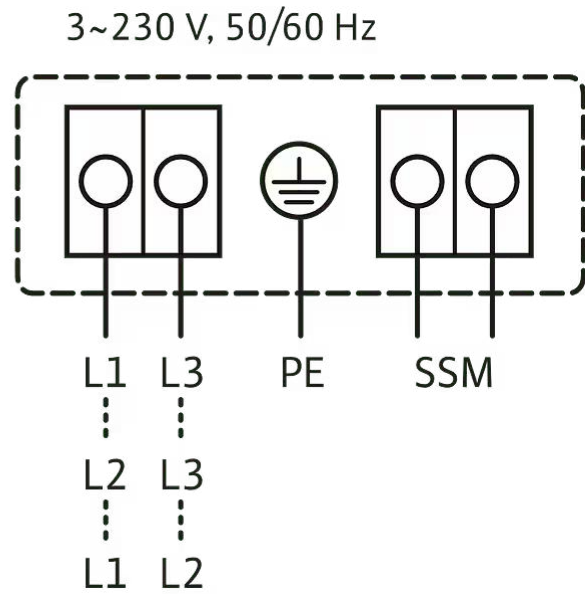
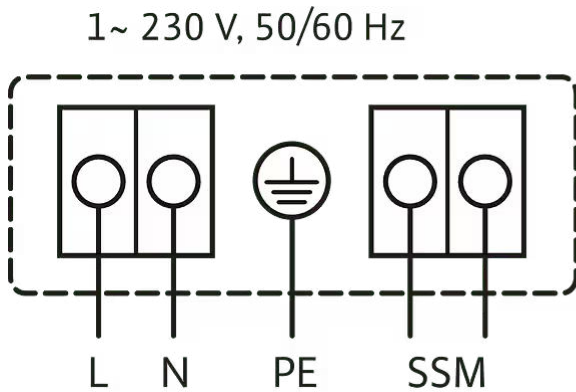
Dimensions and dimensions drawings

Yonos MAXO 80/0,5-6



## Wiring diagram

1~230V, 50/60 Hz



Collective fault signal

SSM: (NC contact in accordance with VDI 3814, load capacity 1 A, 250 V ~)

Standard: 1~230 V, 50/60 Hz

Option: 3~230 V, 50/60 Hz

## Ordering information

### Product data

Brand	Wilo
Product description	Yonos MAXO 80/0,5-6 PN 6
Article number	<b>2120656</b>
EAN number	4048482407937
Colour	green/black
Minimum order quantity	1
Date of sales availability	2014-09-01

### Dimension, weight

Length with packaging	600 mm
Length <i>L</i>	360 mm
Height with packaging	400 mm
Height <i>H</i>	422 mm
Width with packaging	525 mm
Width <i>W</i>	204 mm
Gross weight, approx. <i>m</i>	32.5 kg
Net weight, approx. <i>m</i>	29 kg

### Packaging

Packaging type	Cardboard box
Packaging property	Transport packaging
Pieces per pallet	12
Number per layer	4



## Tender text

High efficiency pump Wilo-Yonos MAXO electronically controlled,

Glandless circulator, synchronous motor according to ECM technology and integrated power control for continuous differential pressure control. Can be used for all heating, ventilation and air-conditioning applications.

Standard-equipped with:

- > Preselectable control modes for optimum load adjustment:  $\Delta p$ -c (differential pressure constant),  $\Delta p$ -v (differential pressure variable)
- > 3 speed stages (n = constant)

- > LED for setting the setpoint and displaying error messages
- > Electrical connection with the Wilo plug
- > Fault lamp and contact for collective fault signal

For flange-end pumps - flange versions:

- > Standard version for pumps DN 32 to DN 65: PN 6/10 combination flange (PN 16 flange according to EN 1092-2) for PN 6 and PN 16 counter flanges
- > Standard version for DN 80/DN 100 pumps: PN 6 flange (designed for PN 16 according to EN 1092-2) for PN 6 counter flange

## Operating Data

Fluid temperature <i>T</i>	-20 °C
Ambient temperature <i>T</i>	-20 °C
Maximum operating pressure <i>PN</i>	6 bar
Minimum suction head at 50 °C <i>m</i>	7 m
Minimum suction head at 95 °C <i>m</i>	15 m
Minimum suction head at 110 °C	23 m

## Motor data

Energy efficiency index (EEI)	0.20
Interference emission	EN 61800-3;2004+A1;2012 /residential area (C1)
Interference immunity	EN 61800-3;2004+A1;2012 /industrial environment (C2)
Mains connection	1~230 V, 50/60 Hz
Power consumption <i>P<sub>1 max</sub></i>	800 W
Min. speed <i>n<sub>min</sub></i>	900 1/min
Max. speed <i>n<sub>max</sub></i>	2400 1/min
Protection class motor	IPX4D
Threaded cable connection	2 x M20x1.5

## Materials

Pump housing	Grey cast iron
Impeller	PP-LGF50
Shaft	Stainless steel
Bearing	Carbon-graphite

## Installation dimensions

Pipe connection on the suction side <i>DN<sub>s</sub></i>	DN 80
Pipe connection on the discharge side <i>DN<sub>d</sub></i>	DN 80
Port-to-port length <i>L<sub>0</sub></i>	360 mm

## Ordering information

Brand	Wilo
Product description	Yonos MAXO 80/0,5-6 PN 6
Net weight, approx. <i>m</i>	29 kg
Article number	<b>2120656</b>

## Services

With Wilo as your partner, you can not only be sure of choosing high-quality product solutions, but also of benefiting from a comprehensive, worry-free package of well thought-out services. We collaborate to develop a service concept tailored to your individual needs; with our expertise and personal consultancy, we make sure that the operation of your systems is as energy-efficient, reliable and economical as possible. All the while our competent Wilo service technicians are ready to assist you with fast, reliable and on-time support.

### Recommended services

Wilo-Live Assistant Service	2216415
System Optimisation Glandless pumps	2219250
Energy Solutions Glandless pumps	2219285

### More suitable services

Extended warranty glandless pumps	2219589
Supervision Glandless pumps	2219320
Installation Glandless pumps	2219355
Commissioning Glandless pumps	2219390
Maintenance BASIC Glandless pumps	2219530
Maintenance COMFORT Glandless pumps	2219416
Maintenance PREMIUM Glandless pumps	2219545
Repair Glandless pumps	2219609



## Data sheet

### Hydraulic data

Maximum operating pressure $P_N$	10 bar
Head max $H_{max}$	7.1 m
Flow max $Q_{max}$	50.9 m <sup>3</sup> /h
Minimum suction head at 50 °C $m$	7 m
Minimum suction head at 95 °C $m$	15 m
Minimum suction head at 110 °C	23 m
Min. fluid temperature $T_{min}$	-20 °C
Max. fluid temperature $T_{max}$	110 °C
Min. ambient temperature $T_{min}$	-20 °C
Max. ambient temperature $T_{max}$	40 °C

### Motor data

Energy efficiency index (EEI)	0.20
Mains connection	1~230 V ±10%, 50/60 Hz
Min current $I_{min}$	0.3 A
Max current $I_{max}$	3.5 A
Rated power $P_2$	650 W
Min. speed $n_{min}$	900 1/min
Max. speed $n_{max}$	2400 1/min
Power consumption $P_{1min}$	40 W
Power consumption $P_{1max}$	800 W
Interference emission	EN 61800-3;2004+A1;2012 /residential area (C1)
Interference immunity	EN 61800-3;2004+A1;2012 /industrial environment (C2)
Threaded cable connection	2 x M20x1.5
Insulation class	F
Protection class	IPX4D

### Materials

Pump housing	Grey cast iron
Impeller	PP-LGF50
Shaft	Stainless steel
Bearing	Carbon-graphite

### Installation dimensions

Pipe connection on the discharge side <i>DNd</i>	DN 80
Pipe connection on the suction side <i>DNs</i>	DN 80
Port-to-port length <i>L0</i>	360 mm

### Equipment/function

#### Function

Control mode	$\Delta p$ -v for variable differential pressure
	$\Delta p$ -c for constant differential pressure
	Constant speed (3 speed stages)
Multi pump operation	Main/Standby (with Connect Module Yonos MAXO)
Display	Setpoint
	Fault signals (error codes)

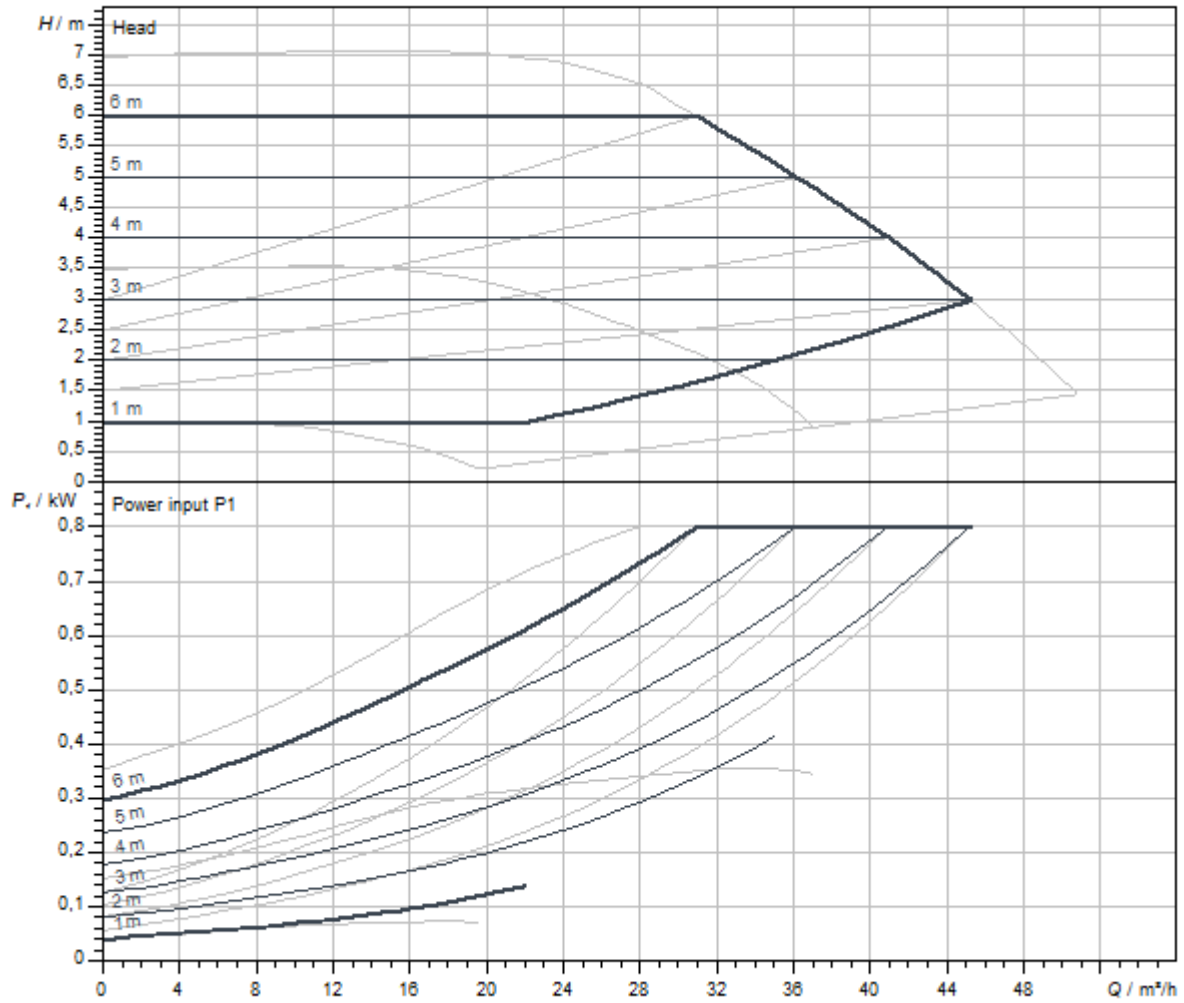
#### Equipment

Approvals and labels	CE
	VDE
	EAC
Display	LED segment display
Display information	Basic Version: LED display (small) for showing the set head or speed stage.
Pump control	Electronic-controlled pump (high efficiency pump)
Quick electrical connection	Wilo plug
Thermal insulation shell	As accessory
Blocking-current proof motor	yes
Particle filter	yes

#### Connectivity

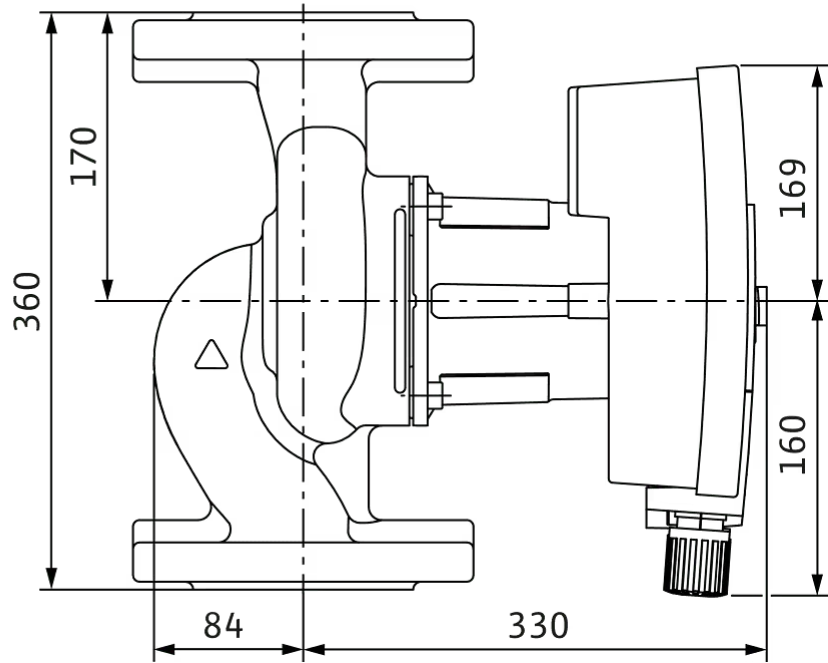
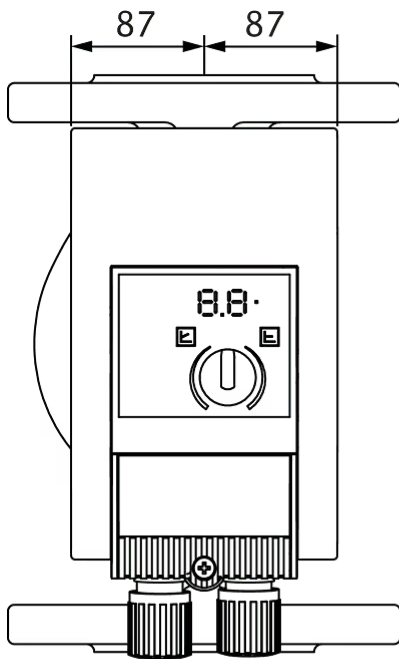
Digital input	Ext. OFF (via accessories Wilo-Connect module Yonos MAXO)
Digital output	SSM

Pump curves



Dimensions and dimensions drawings

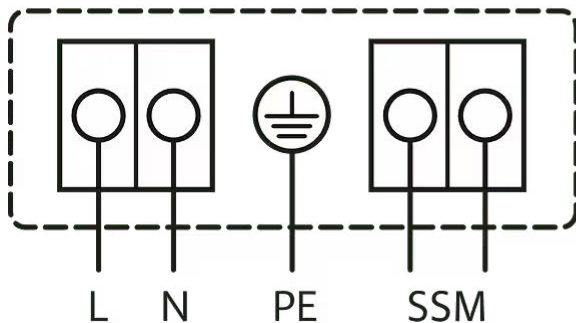
Yonos MAXO



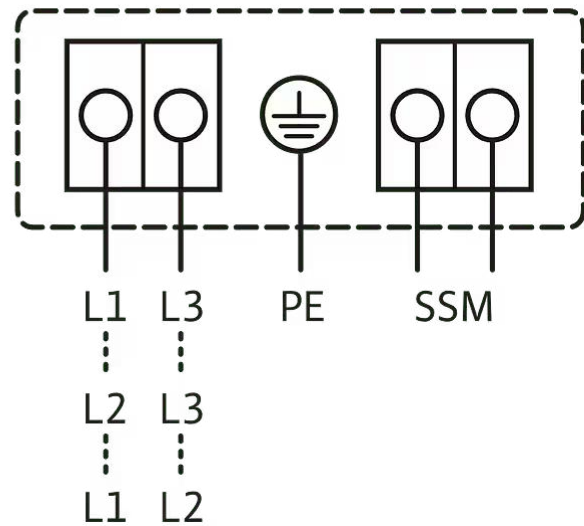
## Wiring diagram

1~230V, 50/60 Hz

1~ 230 V, 50/60 Hz



3~230 V, 50/60 Hz



Collective fault signal

SSM: (NC contact in accordance with VDI 3814, load capacity 1 A, 250 V ~)

Standard: 1~230 V, 50/60 Hz

Option: 3~230 V, 50/60 Hz

## Ordering information

### Product data

Brand	Wilo
Product description	Yonos MAXO 80/0,5-6 PN 10
Article number	<b>2120657</b>
EAN number	4048482407944
Colour	green/black
Minimum order quantity	1
Date of sales availability	2014-09-01

### Dimension, weight

Length with packaging	600 mm
Length <i>L</i>	360 mm
Height with packaging	400 mm
Height <i>H</i>	422 mm
Width with packaging	525 mm
Width <i>W</i>	204 mm
Gross weight, approx. <i>m</i>	32.5 kg
Net weight, approx. <i>m</i>	29 kg

### Packaging

Packaging type	Cardboard box
Packaging property	Transport packaging
Pieces per pallet	12
Number per layer	4

## Tender text

High efficiency pump Wilo-Yonos MAXO electronically controlled,

Glandless circulator, synchronous motor according to ECM technology and integrated power control for continuous differential pressure control. Can be used for all heating, ventilation and air-conditioning applications.

Standard-equipped with:

- > Preselectable control modes for optimum load adjustment:  $\Delta p$ -c (differential pressure constant),  $\Delta p$ -v (differential pressure variable)
- > 3 speed stages (n = constant)

- > LED for setting the setpoint and displaying error messages
- > Electrical connection with the Wilo plug
- > Fault lamp and contact for collective fault signal

For flange-end pumps - flange versions:

- > Standard version for pumps DN 32 to DN 65: PN 6/10 combination flange (PN 16 flange according to EN 1092-2) for PN 6 and PN 16 counter flanges
- > Standard version for DN 80/DN 100 pumps: PN 6 flange (designed for PN 16 according to EN 1092-2) for PN 6 counter flange

## Operating Data

Fluid temperature <i>T</i>	-20 °C
Ambient temperature <i>T</i>	-20 °C
Maximum operating pressure <i>PN</i>	10 bar
Minimum suction head at 50 °C <i>m</i>	7 m
Minimum suction head at 95 °C <i>m</i>	15 m
Minimum suction head at 110 °C	23 m

## Motor data

Energy efficiency index (EEI)	0.20
Interference emission	EN 61800-3;2004+A1;2012 /residential area (C1)
Interference immunity	EN 61800-3;2004+A1;2012 /industrial environment (C2)
Mains connection	1~230 V, 50/60 Hz
Power consumption <i>P<sub>1 max</sub></i>	800 W
Min. speed <i>n<sub>min</sub></i>	900 1/min
Max. speed <i>n<sub>max</sub></i>	2400 1/min
Protection class motor	IPX4D
Threaded cable connection	2 x M20x1.5

## Materials

Pump housing	Grey cast iron
Impeller	PP-LGF50
Shaft	Stainless steel
Bearing	Carbon-graphite

## Installation dimensions

Pipe connection on the suction side <i>DN<sub>s</sub></i>	DN 80
Pipe connection on the discharge side <i>DN<sub>d</sub></i>	DN 80
Port-to-port length <i>L<sub>0</sub></i>	360 mm

## Ordering information

Brand	Wilo
Product description	Yonos MAXO 80/0,5-6 PN 10
Net weight, approx. <i>m</i>	29 kg
Article number	<b>2120657</b>

## Services



With Wilo as your partner, you can not only be sure of choosing high-quality product solutions, but also of benefiting from a comprehensive, worry-free package of well thought-out services. We collaborate to develop a service concept tailored to your individual needs; with our expertise and personal consultancy, we make sure that the operation of your systems is as energy-efficient, reliable and economical as possible. All the while our competent Wilo service technicians are ready to assist you with fast, reliable and on-time support.

## Recommended services

Wilo-Live Assistant Service	2216415
System Optimisation Glandless pumps	2219250
Energy Solutions Glandless pumps	2219285

## More suitable services

Extended warranty glandless pumps	2219589
Supervision Glandless pumps	2219320
Installation Glandless pumps	2219355
Commissioning Glandless pumps	2219390
Maintenance BASIC Glandless pumps	2219530
Maintenance COMFORT Glandless pumps	2219416
Maintenance PREMIUM Glandless pumps	2219545
Repair Glandless pumps	2219609



## Data sheet

### Hydraulic data

Maximum operating pressure $P_N$	6 bar
Head max $H_{max}$	13.6 m
Flow max $Q_{max}$	63.3 m <sup>3</sup> /h
Minimum suction head at 50 °C $m$	7 m
Minimum suction head at 95 °C $m$	15 m
Minimum suction head at 110 °C	23 m
Min. fluid temperature $T_{min}$	-20 °C
Max. fluid temperature $T_{max}$	110 °C
Min. ambient temperature $T_{min}$	-20 °C
Max. ambient temperature $T_{max}$	40 °C

### Motor data

Energy efficiency index (EEI)	0.20
Mains connection	1~230 V ±10%, 50/60 Hz
Min current $I_{min}$	0.3 A
Max current $I_{max}$	6.8 A
Rated power $P_2$	1300 W
Min. speed $n_{min}$	900 1/min
Max. speed $n_{max}$	3300 1/min
Power consumption $P_{1min}$	40 W
Power consumption $P_{1max}$	1550 W
Interference emission	EN 61800-3;2004+A1;2012 /residential area (C1)
Interference immunity	EN 61800-3;2004+A1;2012 /industrial environment (C2)
Threaded cable connection	2 x M20x1.5
Insulation class	F
Protection class	IPX4D

### Materials

Pump housing	Grey cast iron
Impeller	PP-LGF50
Shaft	Stainless steel
Bearing	Carbon-graphite

### Installation dimensions

Pipe connection on the discharge side <i>DNd</i>	DN 80
Pipe connection on the suction side <i>DNs</i>	DN 80
Port-to-port length <i>L0</i>	360 mm

### Equipment/function

#### Function

Control mode	$\Delta p$ -v for variable differential pressure
	$\Delta p$ -c for constant differential pressure
	Constant speed (3 speed stages)
Multi pump operation	Main/Standby (with Connect Module Yonos MAXO)
Display	Setpoint
	Fault signals (error codes)

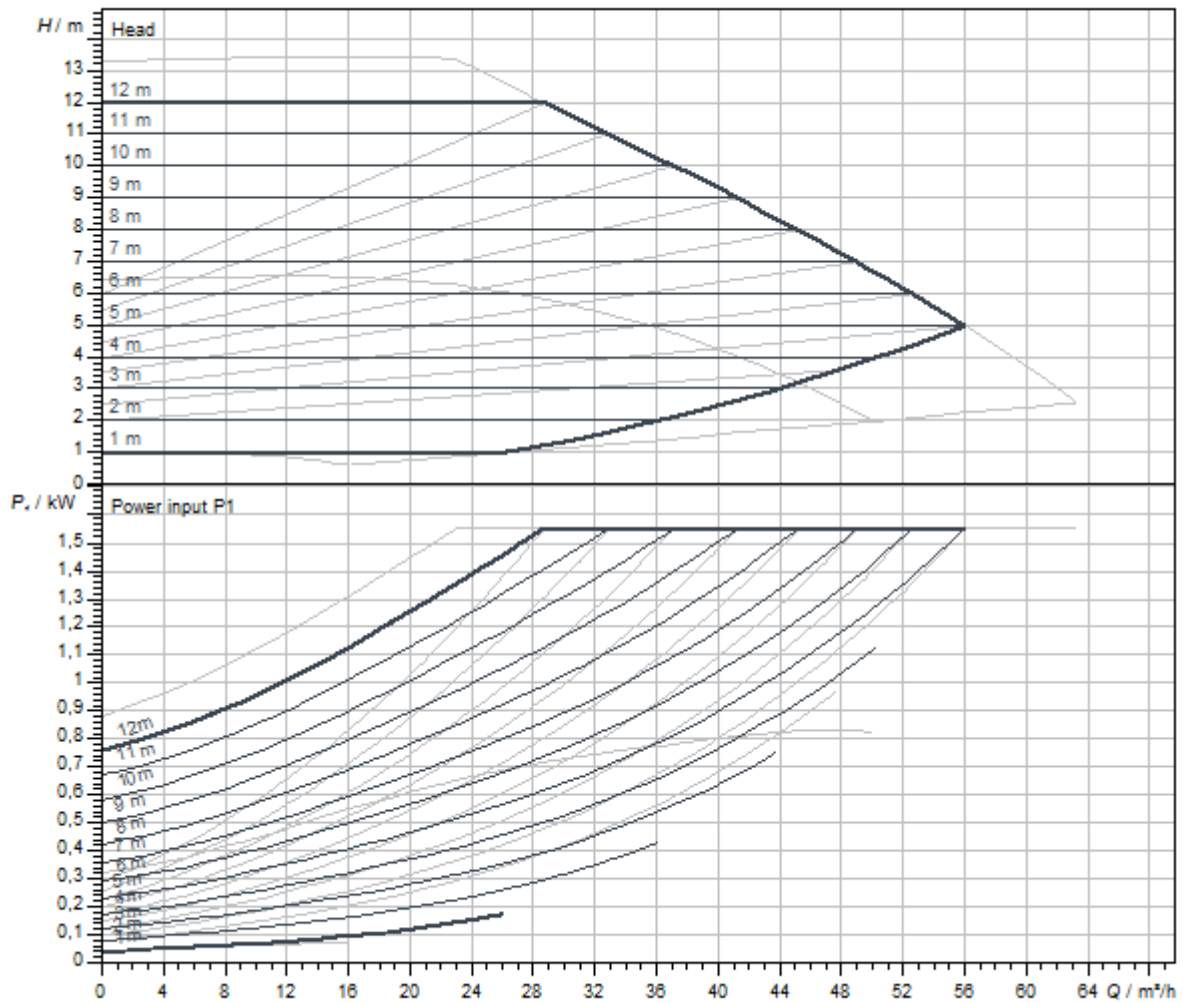
#### Equipment

Approvals and labels	CE
	VDE
	EAC
Display	LED segment display
Display information	Basic Version: LED display (small) for showing the set head or speed stage.
Pump control	Electronic-controlled pump (high efficiency pump)
Quick electrical connection	Wilo plug
Thermal insulation shell	As accessory
Blocking-current proof motor	yes
Particle filter	yes

#### Connectivity

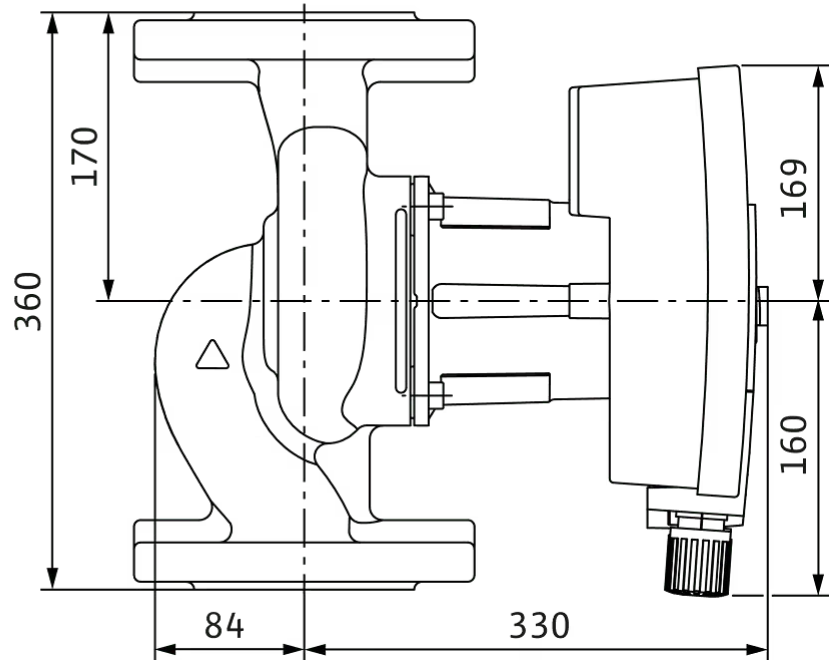
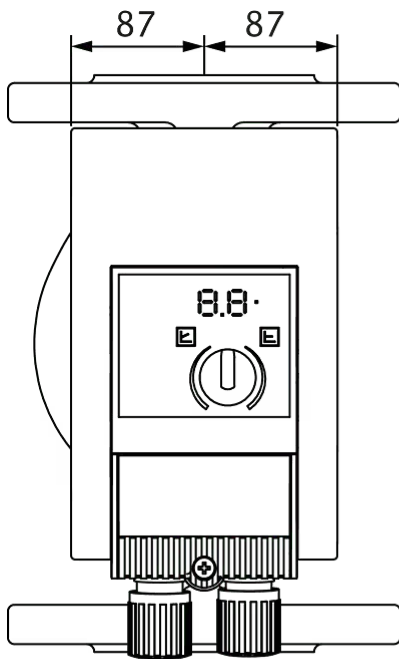
Digital input	Ext. OFF (via accessories Wilo-Connect module Yonos MAXO)
Digital output	SSM

Pump curves



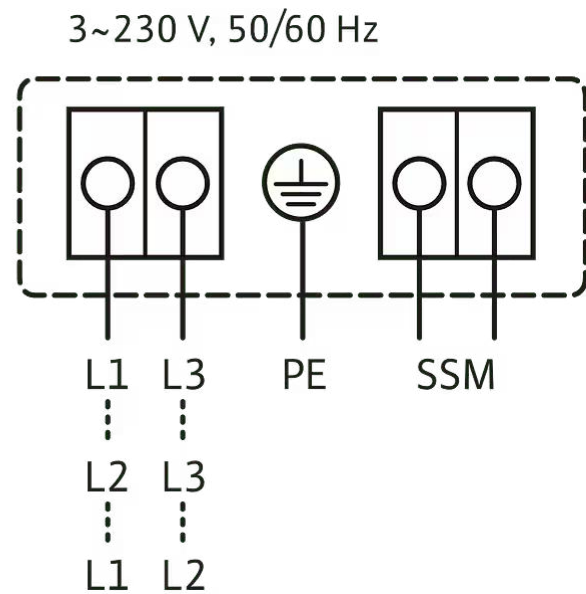
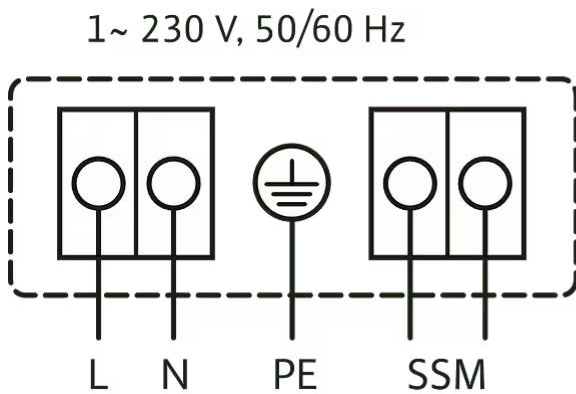
Dimensions and dimensions drawings

Yonos MAXO 80/0,5-12



## Wiring diagram

1~230V, 50/60 Hz



Collective fault signal

SSM: (NC contact in accordance with VDI 3814, load capacity 1 A, 250 V ~)

Standard: 1~230 V, 50/60 Hz

Option: 3~230 V, 50/60 Hz

## Ordering information

### Product data

Brand	Wilo
Product description	Yonos MAXO 80/0,5-12 PN 6
Article number	<b>2120658</b>
EAN number	4048482407951
Colour	green/black
Minimum order quantity	1
Date of sales availability	2014-09-01

### Dimension, weight

Length with packaging	600 mm
Length <i>L</i>	360 mm
Height with packaging	400 mm
Height <i>H</i>	422 mm
Width with packaging	525 mm
Width <i>W</i>	205 mm
Gross weight, approx. <i>m</i>	33.9 kg
Net weight, approx. <i>m</i>	30.4 kg

### Packaging

Packaging type	Cardboard box
Packaging property	Transport packaging
Pieces per pallet	12
Number per layer	4

## Tender text

High efficiency pump Wilo-Yonos MAXO electronically controlled,

Glandless circulator, synchronous motor according to ECM technology and integrated power control for continuous differential pressure control. Can be used for all heating, ventilation and air-conditioning applications.

Standard-equipped with:

- > Preselectable control modes for optimum load adjustment:  $\Delta p$ -c (differential pressure constant),  $\Delta p$ -v (differential pressure variable)
- > 3 speed stages ( $n$  = constant)

- > LED for setting the setpoint and displaying error messages
- > Electrical connection with the Wilo plug
- > Fault lamp and contact for collective fault signal

For flange-end pumps - flange versions:

- > Standard version for pumps DN 32 to DN 65: PN 6/10 combination flange (PN 16 flange according to EN 1092-2) for PN 6 and PN 16 counter flanges
- > Standard version for DN 80/DN 100 pumps: PN 6 flange (designed for PN 16 according to EN 1092-2) for PN 6 counter flange

## Operating Data

Fluid temperature $T$	-20 °C
Ambient temperature $T$	-20 °C
Maximum operating pressure $PN$	6 bar
Minimum suction head at 50 °C $m$	7 m
Minimum suction head at 95 °C $m$	15 m
Minimum suction head at 110 °C	23 m

## Motor data

Energy efficiency index (EEI)	0.20
Interference emission	EN 61800-3;2004+A1;2012 /residential area (C1)
Interference immunity	EN 61800-3;2004+A1;2012 /industrial environment (C2)
Mains connection	1~230 V, 50/60 Hz
Power consumption $P_{1\max}$	1550 W
Min. speed $n_{\min}$	900 1/min
Max. speed $n_{\max}$	3300 1/min
Protection class motor	IPX4D
Threaded cable connection	2 x M20x1.5

## Materials

Pump housing	Grey cast iron
Impeller	PP-LGF50
Shaft	Stainless steel
Bearing	Carbon-graphite

## Installation dimensions

Pipe connection on the suction side $DN_s$	DN 80
Pipe connection on the discharge side $DN_d$	DN 80
Port-to-port length $L_0$	360 mm

## Ordering information

Brand	Wilo
Product description	Yonos MAXO 80/0,5-12 PN 6
Net weight, approx. $m$	30.4 kg
Article number	<b>2120658</b>

## Services

With Wilo as your partner, you can not only be sure of choosing high-quality product solutions, but also of benefiting from a comprehensive, worry-free package of well thought-out services. We collaborate to develop a service concept tailored to your individual needs; with our expertise and personal consultancy, we make sure that the operation of your systems is as energy-efficient, reliable and economical as possible. All the while our competent Wilo service technicians are ready to assist you with fast, reliable and on-time support.

## Recommended services

Wilo-Live Assistant Service	2216415
System Optimisation Glandless pumps	2219250
Energy Solutions Glandless pumps	2219285

## More suitable services

Extended warranty glandless pumps	2219589
Supervision Glandless pumps	2219320
Installation Glandless pumps	2219355
Commissioning Glandless pumps	2219390
Maintenance BASIC Glandless pumps	2219530
Maintenance COMFORT Glandless pumps	2219416
Maintenance PREMIUM Glandless pumps	2219545
Repair Glandless pumps	2219609





## Data sheet

### Hydraulic data

Maximum operating pressure $P_N$	10 bar
Head max $H_{max}$	13.6 m
Flow max $Q_{max}$	63.3 m <sup>3</sup> /h
Minimum suction head at 50 °C $m$	7 m
Minimum suction head at 95 °C $m$	15 m
Minimum suction head at 110 °C	23 m
Min. fluid temperature $T_{min}$	-20 °C
Max. fluid temperature $T_{max}$	110 °C
Min. ambient temperature $T_{min}$	-20 °C
Max. ambient temperature $T_{max}$	40 °C

### Motor data

Energy efficiency index (EEI)	0.20
Mains connection	1~230 V ±10%, 50/60 Hz
Min current $I_{min}$	0.3 A
Max current $I_{max}$	6.8 A
Rated power $P_2$	1300 W
Min. speed $n_{min}$	900 1/min
Max. speed $n_{max}$	3300 1/min
Power consumption $P_{1 min}$	40 W
Power consumption $P_{1 max}$	1550 W
Interference emission	EN 61800-3;2004+A1;2012 /residential area (C1)
Interference immunity	EN 61800-3;2004+A1;2012 /industrial environment (C2)
Threaded cable connection	2 x M20x1.5
Insulation class	F
Protection class	IPX4D

### Materials

Pump housing	Grey cast iron
Impeller	PP-LGF50
Shaft	Stainless steel
Bearing	Carbon-graphite

### Installation dimensions

Pipe connection on the discharge side <i>DNd</i>	DN 80
Pipe connection on the suction side <i>DNs</i>	DN 80
Port-to-port length <i>L0</i>	360 mm

### Equipment/function

#### Function

Control mode	$\Delta p$ -v for variable differential pressure
	$\Delta p$ -c for constant differential pressure
	Constant speed (3 speed stages)
Multi pump operation	Main/Standby (with Connect Module Yonos MAXO)
Display	Setpoint
	Fault signals (error codes)

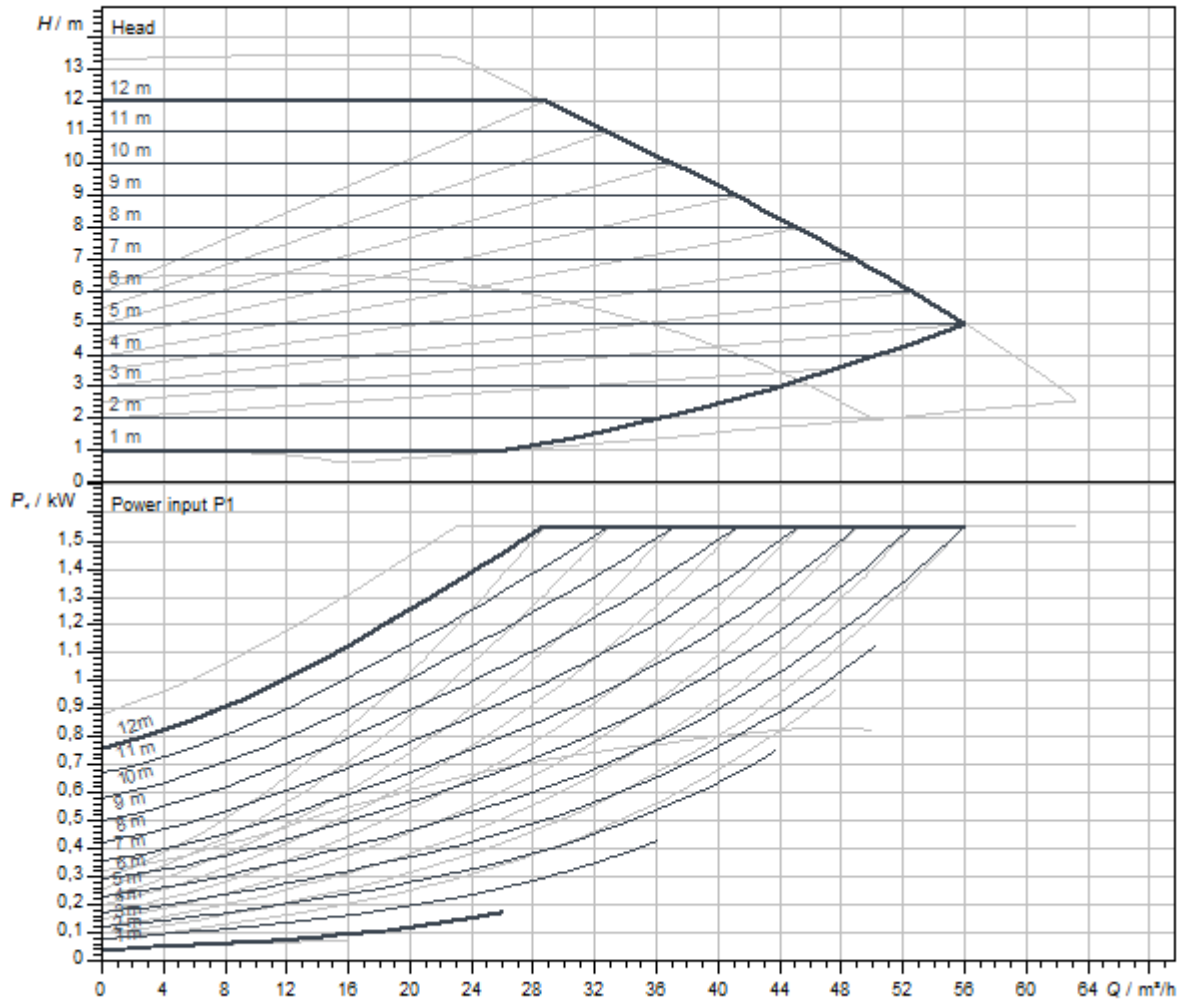
#### Equipment

Approvals and labels	CE
	VDE
	EAC
Display	LED segment display
Display information	Basic Version: LED display (small) for showing the set head or speed stage.
Pump control	Electronic-controlled pump (high efficiency pump)
Quick electrical connection	Wilo plug
Thermal insulation shell	As accessory
Blocking-current proof motor	yes
Particle filter	yes

#### Connectivity

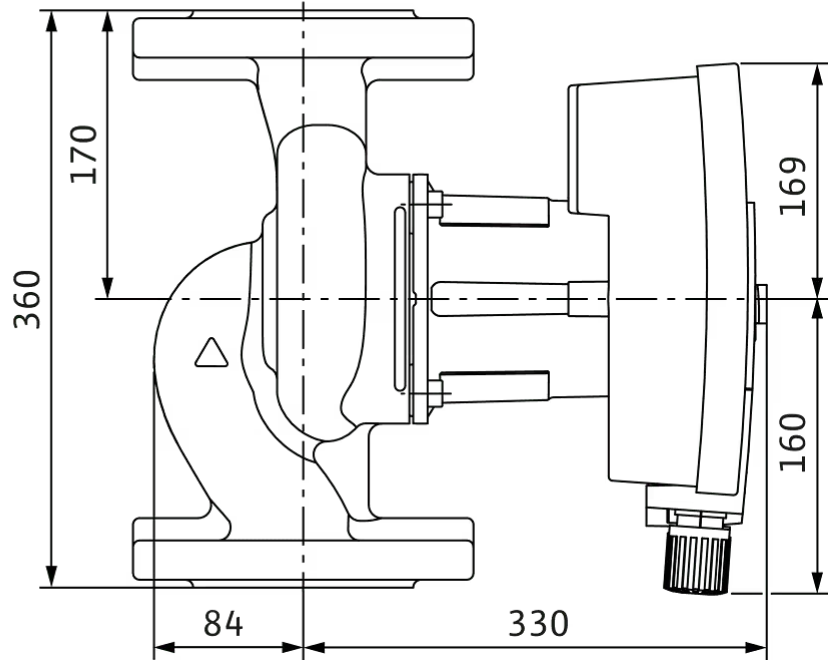
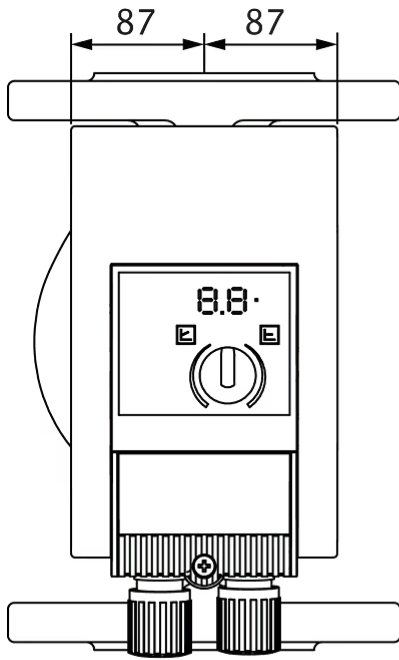
Digital input	Ext. OFF (via accessories Wilo-Connect module Yonos MAXO)
Digital output	SSM

Pump curves



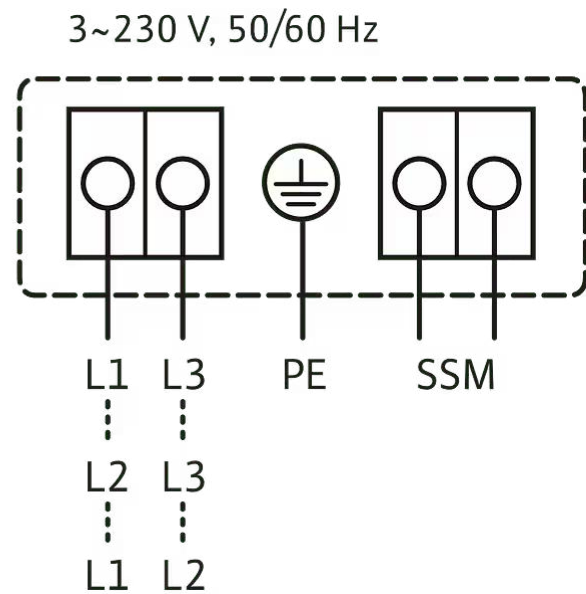
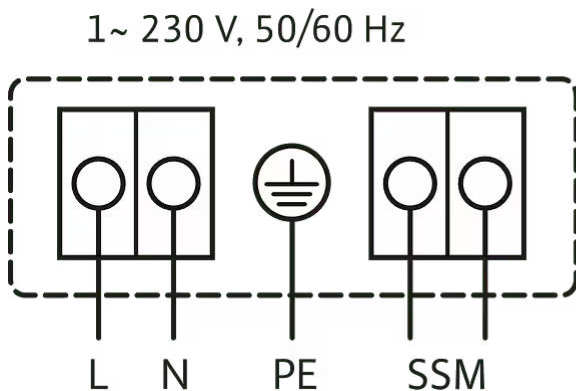
Dimensions and dimensions drawings

Yonos MAXO



## Wiring diagram

1~230V, 50/60 Hz



Collective fault signal

SSM: (NC contact in accordance with VDI 3814, load capacity 1 A, 250 V ~)

Standard: 1~230 V, 50/60 Hz

Option: 3~230 V, 50/60 Hz

## Ordering information

### Product data

Brand	Wilo
Product description	Yonos MAXO 80/0,5-12 PN 10
Article number	<b>2120659</b>
EAN number	4048482407968
Colour	green/black
Minimum order quantity	1
Date of sales availability	2014-09-01

### Dimension, weight

Length with packaging	600 mm
Length <i>L</i>	360 mm
Height with packaging	400 mm
Height <i>H</i>	422 mm
Width with packaging	525 mm
Width <i>W</i>	205 mm
Gross weight, approx. <i>m</i>	33.9 kg
Net weight, approx. <i>m</i>	30.4 kg

### Packaging

Packaging type	Cardboard box
Packaging property	Transport packaging
Pieces per pallet	12
Number per layer	4

## Tender text

High efficiency pump Wilo-Yonos MAXO electronically controlled,

Glandless circulator, synchronous motor according to ECM technology and integrated power control for continuous differential pressure control. Can be used for all heating, ventilation and air-conditioning applications.

Standard-equipped with:

- > Preselectable control modes for optimum load adjustment:  $\Delta p$ -c (differential pressure constant),  $\Delta p$ -v (differential pressure variable)
- > 3 speed stages (n = constant)

- > LED for setting the setpoint and displaying error messages
- > Electrical connection with the Wilo plug
- > Fault lamp and contact for collective fault signal

For flange-end pumps - flange versions:

- > Standard version for pumps DN 32 to DN 65: PN 6/10 combination flange (PN 16 flange according to EN 1092-2) for PN 6 and PN 16 counter flanges
- > Standard version for DN 80/DN 100 pumps: PN 6 flange (designed for PN 16 according to EN 1092-2) for PN 6 counter flange

## Operating Data

Fluid temperature <i>T</i>	-20 °C
Ambient temperature <i>T</i>	-20 °C
Maximum operating pressure <i>PN</i>	10 bar
Minimum suction head at 50 °C <i>m</i>	7 m
Minimum suction head at 95 °C <i>m</i>	15 m
Minimum suction head at 110 °C	23 m

## Motor data

Energy efficiency index (EEI)	0.20
Interference emission	EN 61800-3;2004+A1;2012 /residential area (C1)
Interference immunity	EN 61800-3;2004+A1;2012 /industrial environment (C2)
Mains connection	1~230 V, 50/60 Hz
Power consumption <i>P<sub>1 max</sub></i>	1550 W
Min. speed <i>n<sub>min</sub></i>	900 1/min
Max. speed <i>n<sub>max</sub></i>	3300 1/min
Protection class motor	IPX4D
Threaded cable connection	2 x M20x1.5

## Materials

Pump housing	Grey cast iron
Impeller	PP-LGF50
Shaft	Stainless steel
Bearing	Carbon-graphite

## Installation dimensions

Pipe connection on the suction side <i>DNs</i>	DN 80
Pipe connection on the discharge side <i>DNd</i>	DN 80
Port-to-port length <i>L0</i>	360 mm

## Ordering information

Brand	Wilo
Product description	Yonos MAXO 80/0,5-12 PN 10
Net weight, approx. <i>m</i>	30.4 kg
Article number	<b>2120659</b>

## Services

With Wilo as your partner, you can not only be sure of choosing high-quality product solutions, but also of benefiting from a comprehensive, worry-free package of well thought-out services. We collaborate to develop a service concept tailored to your individual needs; with our expertise and personal consultancy, we make sure that the operation of your systems is as energy-efficient, reliable and economical as possible. All the while our competent Wilo service technicians are ready to assist you with fast, reliable and on-time support.

## Recommended services

Wilo-Live Assistant Service	2216415
System Optimisation Glandless pumps	2219250
Energy Solutions Glandless pumps	2219285

## More suitable services

Extended warranty glandless pumps	2219589
Supervision Glandless pumps	2219320
Installation Glandless pumps	2219355
Commissioning Glandless pumps	2219390
Maintenance BASIC Glandless pumps	2219530
Maintenance COMFORT Glandless pumps	2219416
Maintenance PREMIUM Glandless pumps	2219545
Repair Glandless pumps	2219609



## Data sheet

### Hydraulic data

Maximum operating pressure $P_N$	6 bar
Head max $H_{max}$	13.6 m
Flow max $Q_{max}$	63.3 m <sup>3</sup> /h
Minimum suction head at 50 °C $m$	7 m
Minimum suction head at 95 °C $m$	15 m
Minimum suction head at 110 °C	23 m
Min. fluid temperature $T_{min}$	-20 °C
Max. fluid temperature $T_{max}$	110 °C
Min. ambient temperature $T_{min}$	-20 °C
Max. ambient temperature $T_{max}$	40 °C

### Motor data

Energy efficiency index (EEI)	0.20
Mains connection	1~230 V ±10%, 50/60 Hz
Min current $I_{min}$	0.3 A
Max current $I_{max}$	6.8 A
Rated power $P_2$	1300 W
Min. speed $n_{min}$	900 1/min
Max. speed $n_{max}$	3300 1/min
Power consumption $P_{1min}$	40 W
Power consumption $P_{1max}$	1550 W
Interference emission	EN 61800-3;2004+A1;2012 /residential area (C1)
Interference immunity	EN 61800-3;2004+A1;2012 /industrial environment (C2)
Threaded cable connection	2 x M20x1.5
Insulation class	F
Protection class	IPX4D

### Materials

Pump housing	Grey cast iron
Impeller	PP-LGF50
Shaft	Stainless steel
Bearing	Carbon-graphite



### Installation dimensions

Pipe connection on the discharge side <i>DNd</i>	DN 100
Pipe connection on the suction side <i>DNs</i>	DN 100
Port-to-port length <i>L0</i>	360 mm

### Equipment/function

#### Function

Control mode	$\Delta p$ -v for variable differential pressure
	$\Delta p$ -c for constant differential pressure
	Constant speed (3 speed stages)
Multi pump operation	Main/Standby (with Connect Module Yonos MAXO)
Display	Setpoint
	Fault signals (error codes)

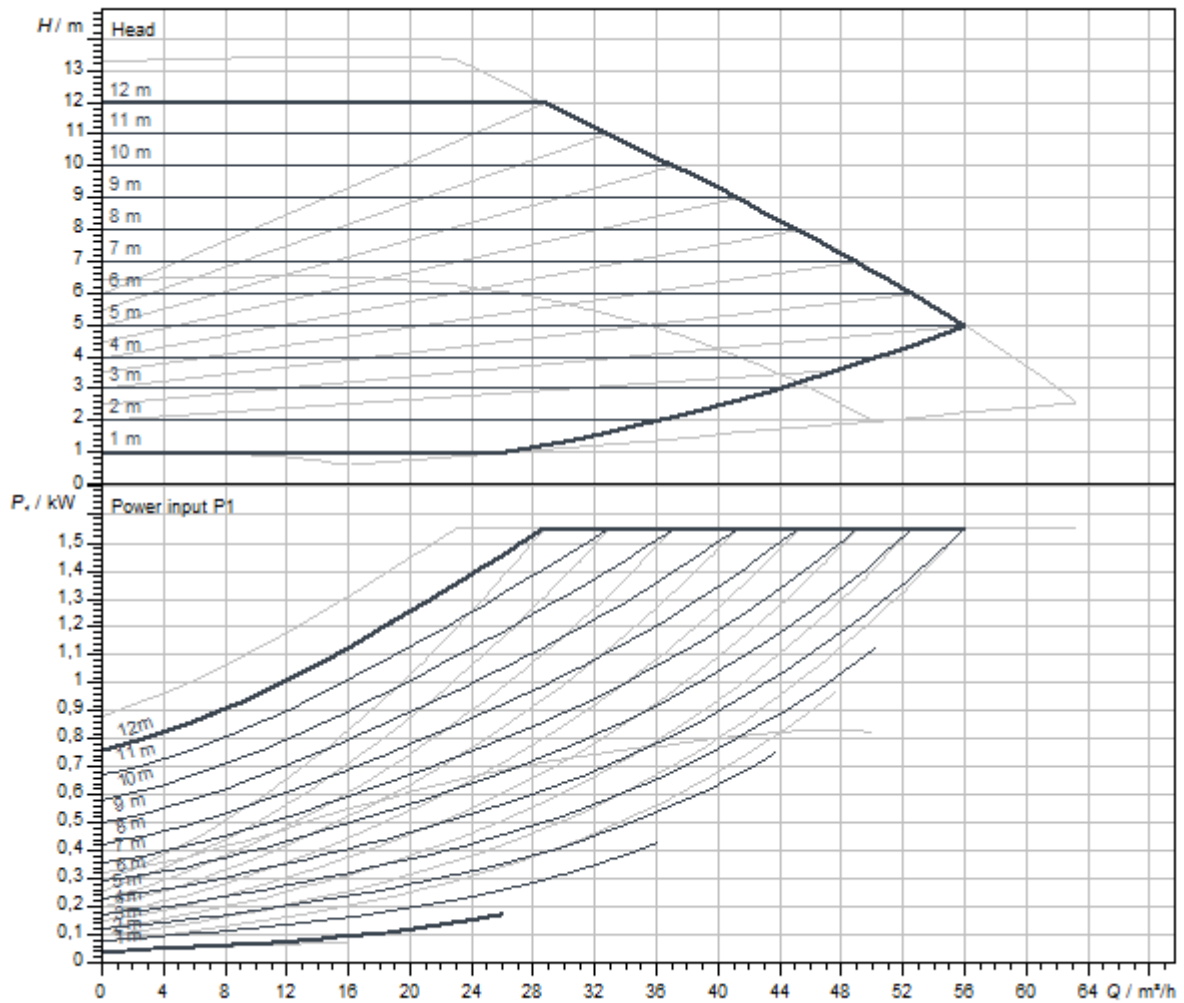
#### Equipment

Approvals and labels	CE
	VDE
	EAC
Display	LED segment display
Display information	Basic Version: LED display (small) for showing the set head or speed stage.
Pump control	Electronic-controlled pump (high efficiency pump)
Quick electrical connection	Wilo plug
Thermal insulation shell	As accessory
Blocking-current proof motor	yes
Particle filter	yes

#### Connectivity

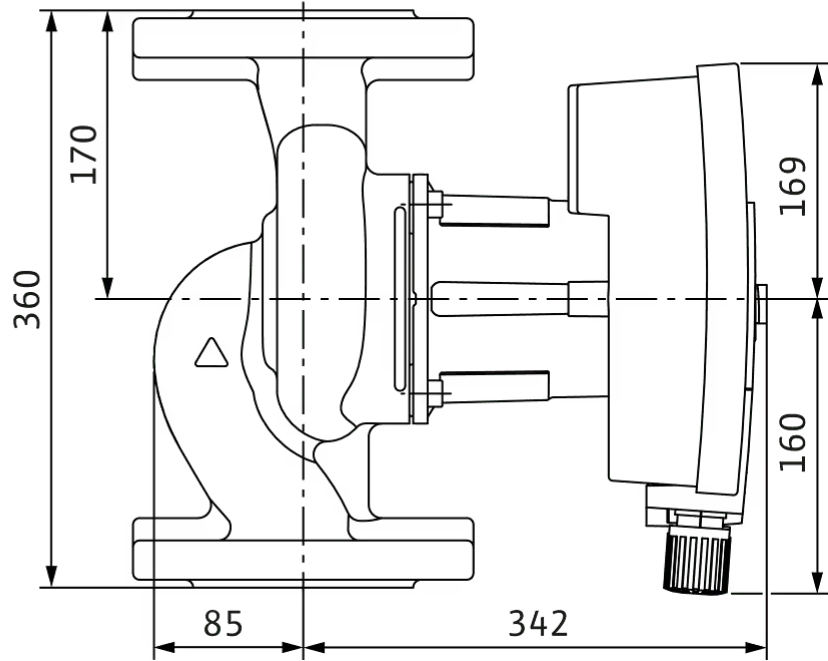
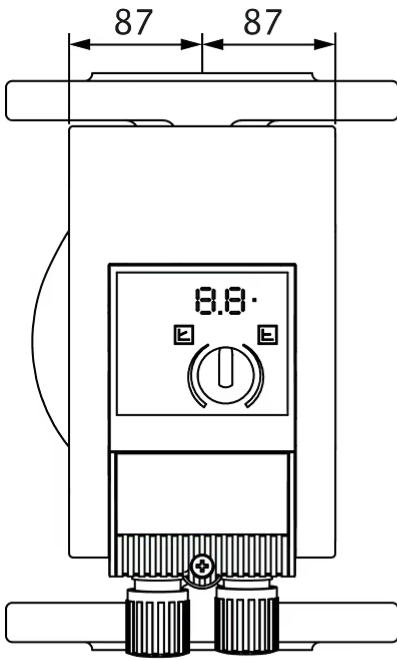
Digital input	Ext. OFF (via accessories Wilo-Connect module Yonos MAXO)
Digital output	SSM

Pump curves



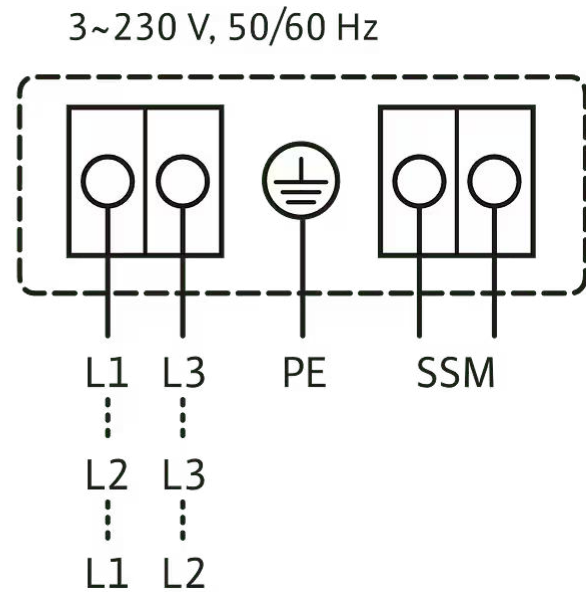
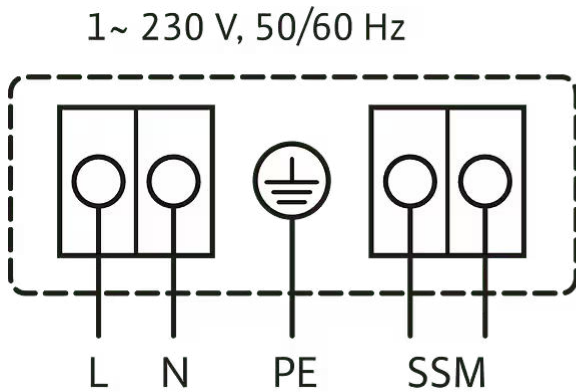
Dimensions and dimensions drawings

Yonos MAXO 100/0,5-12



## Wiring diagram

1~230V, 50/60 Hz



Collective fault signal

SSM: (NC contact in accordance with VDI 3814, load capacity 1 A, 250 V ~)

Standard: 1~230 V, 50/60 Hz

Option: 3~230 V, 50/60 Hz

## Ordering information

### Product data

Brand	Wilo
Product description	Yonos MAXO 100/0,5-12 PN 6
Article number	<b>2120660</b>
EAN number	4048482407975
Colour	green/black
Minimum order quantity	1
Date of sales availability	2014-09-01

### Dimension, weight

Length with packaging	600 mm
Length <i>L</i>	360 mm
Height with packaging	400 mm
Height <i>H</i>	443 mm
Width with packaging	525 mm
Width <i>W</i>	220 mm
Gross weight, approx. <i>m</i>	36.9 kg
Net weight, approx. <i>m</i>	33.4 kg

### Packaging

Packaging type	Cardboard box
Packaging property	Transport packaging
Pieces per pallet	12
Number per layer	4

## Tender text

High efficiency pump Wilo-Yonos MAXO electronically controlled,

Glandless circulator, synchronous motor according to ECM technology and integrated power control for continuous differential pressure control. Can be used for all heating, ventilation and air-conditioning applications.

Standard-equipped with:

- > Preselectable control modes for optimum load adjustment:  $\Delta p$ -c (differential pressure constant),  $\Delta p$ -v (differential pressure variable)
- > 3 speed stages (n = constant)

- > LED for setting the setpoint and displaying error messages
- > Electrical connection with the Wilo plug
- > Fault lamp and contact for collective fault signal

For flange-end pumps - flange versions:

- > Standard version for pumps DN 32 to DN 65: PN 6/10 combination flange (PN 16 flange according to EN 1092-2) for PN 6 and PN 16 counter flanges
- > Standard version for DN 80/DN 100 pumps: PN 6 flange (designed for PN 16 according to EN 1092-2) for PN 6 counter flange

## Operating Data

Fluid temperature <i>T</i>	-20 °C
Ambient temperature <i>T</i>	-20 °C
Maximum operating pressure <i>PN</i>	6 bar
Minimum suction head at 50 °C <i>m</i>	7 m
Minimum suction head at 95 °C <i>m</i>	15 m
Minimum suction head at 110 °C	23 m

## Motor data

Energy efficiency index (EEI)	0.20
Interference emission	EN 61800-3;2004+A1;2012 /residential area (C1)
Interference immunity	EN 61800-3;2004+A1;2012 /industrial environment (C2)
Mains connection	1~230 V, 50/60 Hz
Power consumption <i>P</i> <sub>1 max</sub>	1550 W
Min. speed <i>n</i> <sub>min</sub>	900 1/min
Max. speed <i>n</i> <sub>max</sub>	3300 1/min
Protection class motor	IPX4D
Threaded cable connection	2 x M20x1.5

## Materials

Pump housing	Grey cast iron
Impeller	PP-LGF50
Shaft	Stainless steel
Bearing	Carbon-graphite

## Installation dimensions

Pipe connection on the suction side <i>DN</i> <sub>s</sub>	DN 100
Pipe connection on the discharge side <i>DN</i> <sub>d</sub>	DN 100
Port-to-port length <i>L</i> <sub>0</sub>	360 mm

## Ordering information

Brand	Wilo
Product description	Yonos MAXO 100/0,5-12 PN 6
Net weight, approx. <i>m</i>	33.4 kg
Article number	<b>2120660</b>

## Services

With Wilo as your partner, you can not only be sure of choosing high-quality product solutions, but also of benefiting from a comprehensive, worry-free package of well thought-out services. We collaborate to develop a service concept tailored to your individual needs; with our expertise and personal consultancy, we make sure that the operation of your systems is as energy-efficient, reliable and economical as possible. All the while our competent Wilo service technicians are ready to assist you with fast, reliable and on-time support.

## Recommended services

Wilo-Live Assistant Service	2216415
System Optimisation Glandless pumps	2219250
Energy Solutions Glandless pumps	2219285

## More suitable services

Extended warranty glandless pumps	2219589
Supervision Glandless pumps	2219320
Installation Glandless pumps	2219355
Commissioning Glandless pumps	2219390
Maintenance BASIC Glandless pumps	2219530
Maintenance COMFORT Glandless pumps	2219416
Maintenance PREMIUM Glandless pumps	2219545
Repair Glandless pumps	2219609



## Data sheet

### Hydraulic data

Maximum operating pressure $P_N$	10 bar
Head max $H_{max}$	13.6 m
Flow max $Q_{max}$	63.3 m <sup>3</sup> /h
Minimum suction head at 50 °C $m$	7 m
Minimum suction head at 95 °C $m$	15 m
Minimum suction head at 110 °C	23 m
Min. fluid temperature $T_{min}$	-20 °C
Max. fluid temperature $T_{max}$	110 °C
Min. ambient temperature $T_{min}$	-20 °C
Max. ambient temperature $T_{max}$	40 °C

### Motor data

Energy efficiency index (EEI)	0.20
Mains connection	1~230 V ±10%, 50/60 Hz
Min current $I_{min}$	0.3 A
Max current $I_{max}$	6.8 A
Rated power $P_2$	1300 W
Min. speed $n_{min}$	900 1/min
Max. speed $n_{max}$	3300 1/min
Power consumption $P_{1min}$	40 W
Power consumption $P_{1max}$	1550 W
Interference emission	EN 61800-3;2004+A1;2012 /residential area (C1)
Interference immunity	EN 61800-3;2004+A1;2012 /industrial environment (C2)
Threaded cable connection	2 x M20x1.5
Insulation class	F
Protection class	IPX4D

### Materials

Pump housing	Grey cast iron
Impeller	PP-LGF50
Shaft	Stainless steel
Bearing	Carbon-graphite

### Installation dimensions

Pipe connection on the discharge side <i>DNd</i>	DN 100
Pipe connection on the suction side <i>DNs</i>	DN 100
Port-to-port length <i>L0</i>	360 mm

### Equipment/function

#### Function

Control mode	$\Delta p-v$ for variable differential pressure
	$\Delta p-c$ for constant differential pressure
	Constant speed (3 speed stages)
Multi pump operation	Main/Standby (with Connect Module Yonos MAXO)
Display	Setpoint
	Fault signals (error codes)

#### Equipment

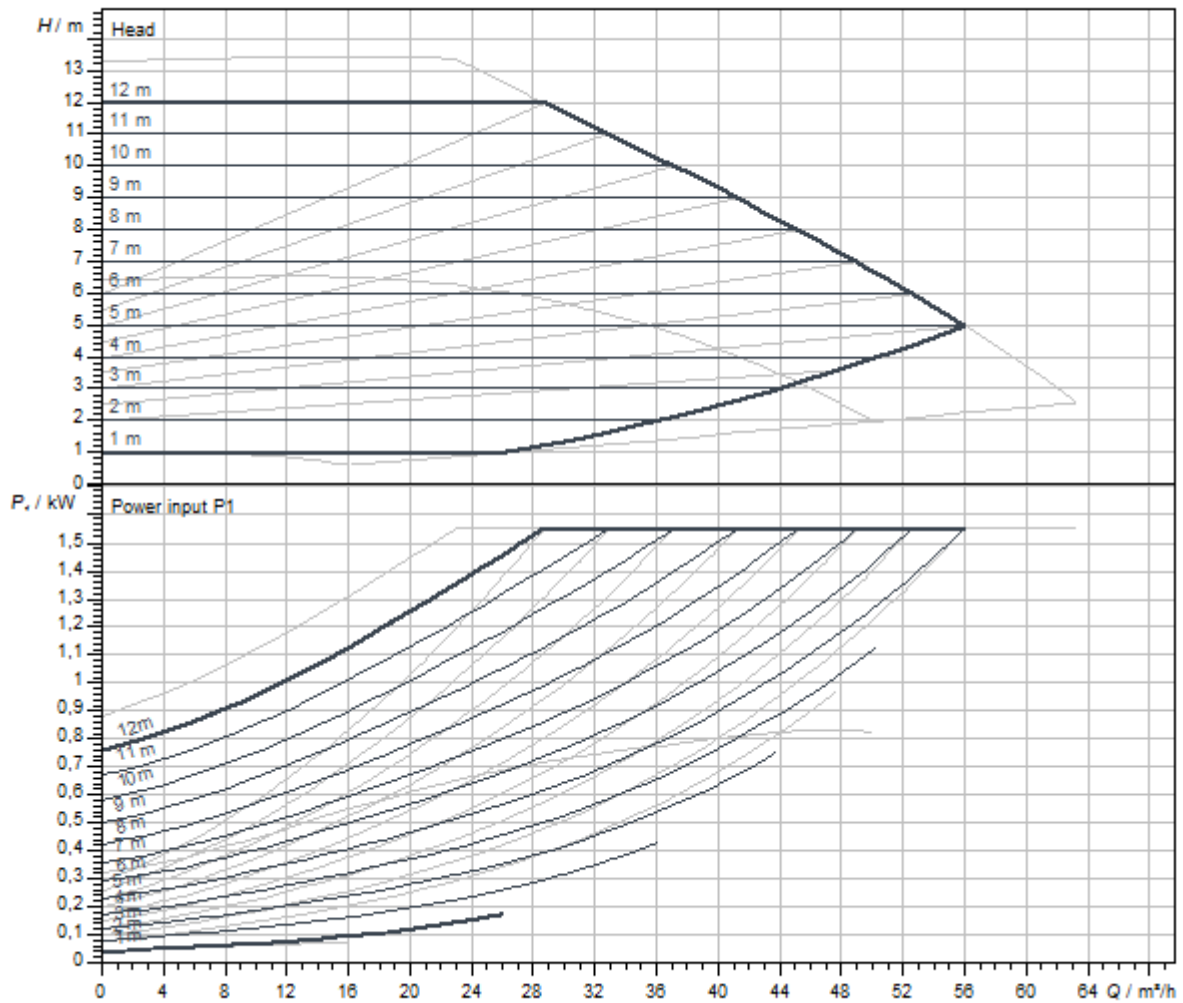
Approvals and labels	CE
	VDE
	EAC
Display	LED segment display
Display information	Basic Version: LED display (small) for showing the set head or speed stage.
Pump control	Electronic-controlled pump (high efficiency pump)
Quick electrical connection	Wilo plug
Thermal insulation shell	As accessory
Blocking-current proof motor	yes
Particle filter	yes

#### Connectivity

Digital input	Ext. OFF (via accessories Wilo-Connect module Yonos MAXO)
Digital output	SSM

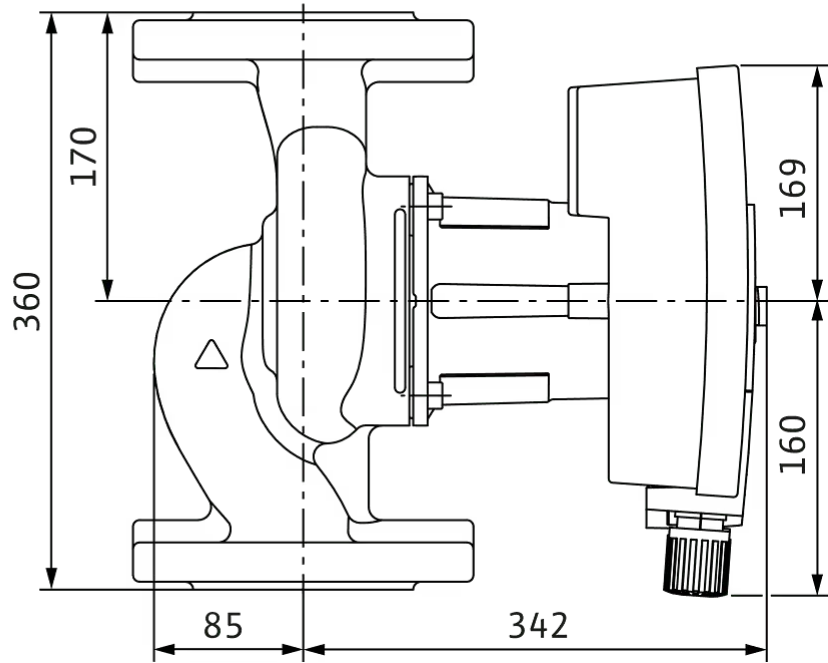
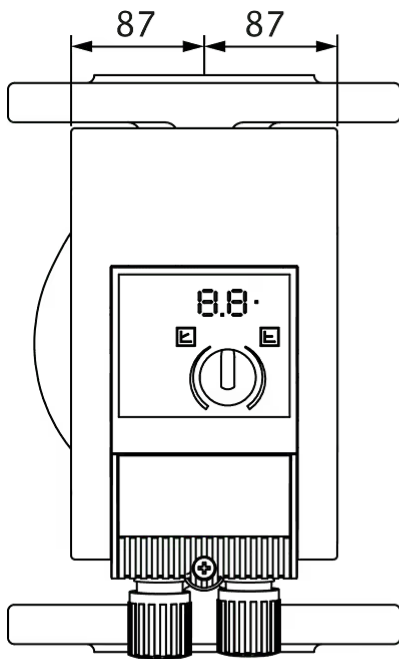


Pump curves



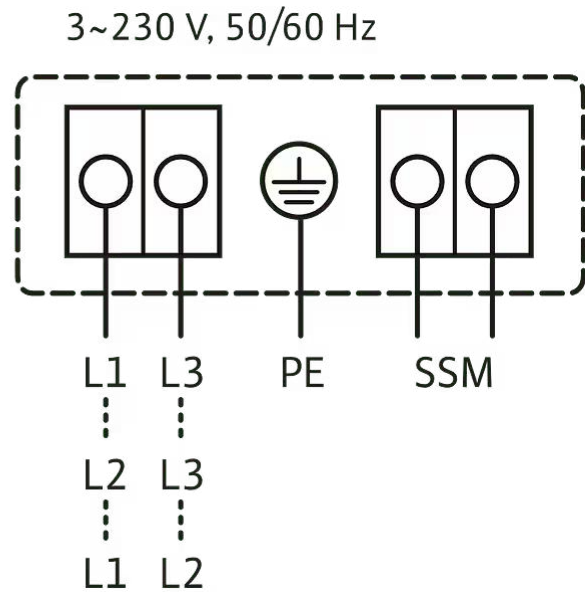
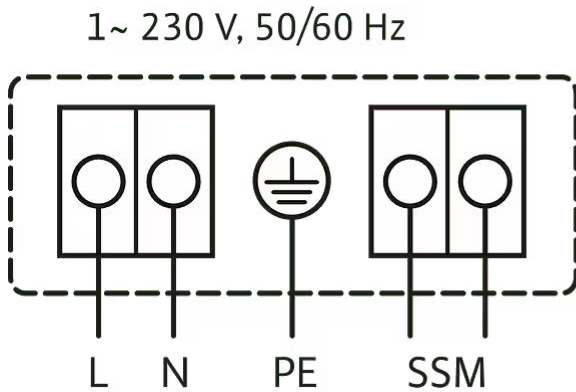
Dimensions and dimensions drawings

Yonos MAXO



## Wiring diagram

1~230V, 50/60 Hz



Collective fault signal

SSM: (NC contact in accordance with VDI 3814, load capacity 1 A, 250 V ~)

Standard: 1~230 V, 50/60 Hz

Option: 3~230 V, 50/60 Hz

## Ordering information

### Product data

Brand	Wilo
Product description	Yonos MAXO 100/0,5-12 PN 10
Article number	<b>2120661</b>
EAN number	4048482407982
Colour	green/black
Minimum order quantity	1
Date of sales availability	2014-09-01

### Dimension, weight

Length with packaging	600 mm
Length <i>L</i>	360 mm
Height with packaging	400 mm
Height <i>H</i>	452 mm
Width with packaging	525 mm
Width <i>W</i>	220 mm
Gross weight, approx. <i>m</i>	36.9 kg
Net weight, approx. <i>m</i>	33.4 kg

### Packaging

Packaging type	Cardboard box
Packaging property	Transport packaging
Pieces per pallet	12
Number per layer	4

## Tender text

High efficiency pump Wilo-Yonos MAXO electronically controlled,

Glandless circulator, synchronous motor according to ECM technology and integrated power control for continuous differential pressure control. Can be used for all heating, ventilation and air-conditioning applications.

Standard-equipped with:

- > Preselectable control modes for optimum load adjustment:  $\Delta p$ -c (differential pressure constant),  $\Delta p$ -v (differential pressure variable)
- > 3 speed stages (n = constant)

- > LED for setting the setpoint and displaying error messages
- > Electrical connection with the Wilo plug
- > Fault lamp and contact for collective fault signal

For flange-end pumps - flange versions:

- > Standard version for pumps DN 32 to DN 65: PN 6/10 combination flange (PN 16 flange according to EN 1092-2) for PN 6 and PN 16 counter flanges
- > Standard version for DN 80/DN 100 pumps: PN 6 flange (designed for PN 16 according to EN 1092-2) for PN 6 counter flange

## Operating Data

Fluid temperature <i>T</i>	-20 °C
Ambient temperature <i>T</i>	-20 °C
Maximum operating pressure <i>PN</i>	10 bar
Minimum suction head at 50 °C <i>m</i>	7 m
Minimum suction head at 95 °C <i>m</i>	15 m
Minimum suction head at 110 °C	23 m

## Motor data

Energy efficiency index (EEI)	0.20
Interference emission	EN 61800-3;2004+A1;2012 /residential area (C1)
Interference immunity	EN 61800-3;2004+A1;2012 /industrial environment (C2)
Mains connection	1~230 V, 50/60 Hz
Power consumption <i>P</i> <sub>1 max</sub>	1550 W
Min. speed <i>n</i> <sub>min</sub>	900 1/min
Max. speed <i>n</i> <sub>max</sub>	3300 1/min
Protection class motor	IPX4D
Threaded cable connection	2 x M20x1.5

## Materials

Pump housing	Grey cast iron
Impeller	PP-LGF50
Shaft	Stainless steel
Bearing	Carbon-graphite

## Installation dimensions

Pipe connection on the suction side <i>DN</i> <sub>s</sub>	DN 100
Pipe connection on the discharge side <i>DN</i> <sub>d</sub>	DN 100
Port-to-port length <i>L</i> <sub>0</sub>	360 mm

## Ordering information

Brand	Wilo
Product description	Yonos MAXO 100/0,5-12 PN 10
Net weight, approx. <i>m</i>	33.4 kg
Article number	<b>2120661</b>

## Services

With Wilo as your partner, you can not only be sure of choosing high-quality product solutions, but also of benefiting from a comprehensive, worry-free package of well thought-out services. We collaborate to develop a service concept tailored to your individual needs; with our expertise and personal consultancy, we make sure that the operation of your systems is as energy-efficient, reliable and economical as possible. All the while our competent Wilo service technicians are ready to assist you with fast, reliable and on-time support.

## Recommended services

Wilo-Live Assistant Service	2216415
System Optimisation Glandless pumps	2219250
Energy Solutions Glandless pumps	2219285

## More suitable services

Extended warranty glandless pumps	2219589
Supervision Glandless pumps	2219320
Installation Glandless pumps	2219355
Commissioning Glandless pumps	2219390
Maintenance BASIC Glandless pumps	2219530
Maintenance COMFORT Glandless pumps	2219416
Maintenance PREMIUM Glandless pumps	2219545
Repair Glandless pumps	2219609

WILO SE  
Wilopark 1  
44263 Dortmund  
Germany  
T +49 231 4102-0  
F +49 231 4102-7363  
wilo@wilo.com  
www.wilo.com