

SDP series self-priming deep well pump

Applications and installation

The SDP pumps are regarded as one of the best pumps for deep well. In fact they consist of two pumps connected in series, one is ejector-pump and the other is centrifugal pump. The ejector pump is lowered in well and connected to the centrifugal pump body by two pipes. These pumps are suitable for pumping clean water and chemically non-aggressive fluids. They are extremely reliable, economical and simple to use widely applied in domestic applications and the automatic distribution of water from small and medium- sized surge tanks, forming an automatic booster systems to supply water. The most remarkable character is that they can be used to supply clean water from extremely deep well. To ensure adequate counter-pressure, it is always installed with a foot valve and a filter on the suction opening.

Pumps should be installed in a covered area, protected against the weather.

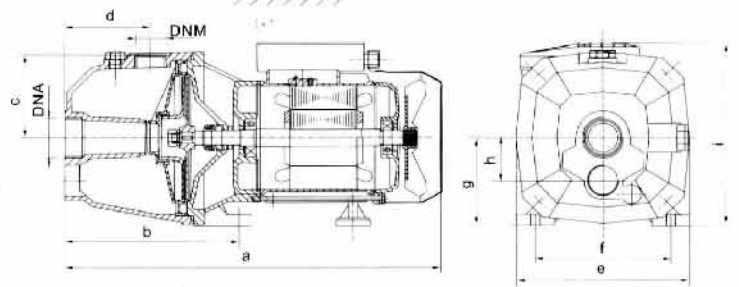
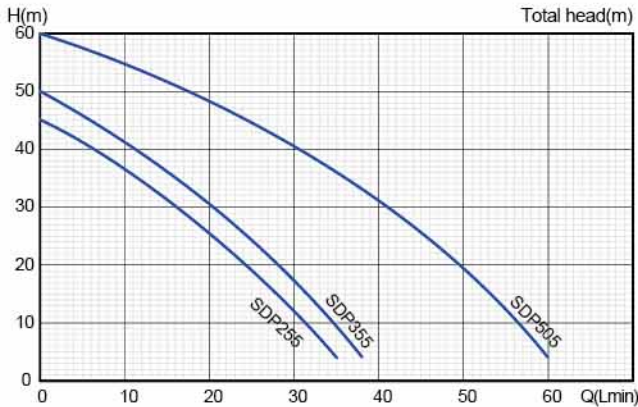
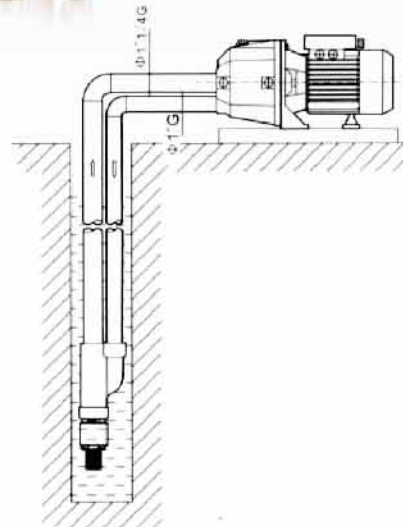


Construction features

- Pump Body: cast iron
- Motor Housing: aluminum
- Shaft: 45# steel/stainless steel
- Impeller: brass /PPO optional
- Motor: closed, externally ventilated
- Insulation Class: B/F
- Protection Class: IP44/IP54
- Duty: continuously rated
- Mechanical Seal: ceramic steatite/ metalized carbon

Operating limitations

- Max ambient temperature up to 40°C
- Max fluid temperature up to 80°C
- Max pressure up to 10 bar



SDP

Model	HP	KW	DNA/DNM	Suct.Max m	Q.Max L/min	H.Max m	Q. L/min	H(m)								Weight Kg			
								0	10	20	30	35	38	50	55		60		
SDP255	0.75	0.55	1.25"/1" / 1"	15	35	45	H(m)	45	40	30	6	4						15	
SDP355	1	0.75	1.25"/1" / 1"	25	38	50		50	42	33	12	8	4						16
SDP505	1.5	1.1	1.25"/1" / 1"	30	60	60		60	54	50	46	42	38	33	12	4			30

Overall and mounting dimension

Model	Dimensions (mm)											Package Dimension		
	DNA	DNM	a	b	c	d	e	f	g	h	i	A	B	H
SDP255	1.25" / 1"	1"	395	188	89	90	181	140	95	45	196	490	200	210
SDP355	1.25" / 1"	1"	395	188	89	90	181	140	95	45	196	490	200	210
SDP505	1.25" / 1"	1"	405	165	147	49.5	198	145	110	55	257	535	255	305