

X Series Rotary Vane Oil-less Vacuum Pumps



• **20,000 Hour/3 year guaranteed vane life—
World's longest!**

- Continuous duty rated
- 100% Oil-less operation
- Improved performance
- Quiet
- Cool operation
- Inlet filters included
- Discharge silencers
- Direct drive
- Vacuum regulators included
- Minimal maintenance

DRY

MODEL	CFM Open Flow	Max. Cont. Vacuum (in. Hg)	HP/kW (3~)	Wt. (lbs.)
VX 4.10	7.1	27	0.6/0.45	35
VX 4.16	11.2	27	0.94/0.7	50
VX 4.25	17.7	27	1.2/0.9	57
VX 4.40	28.2	27	2/1.5	85
KVX 3.60	39	27	4/3	152
KVX 3.80	46	27	4/3	152
KVX 3.100	66	27	4.7/3.5	223
KVX 3.140	91	24	6.4/4.8	245
VXLF 2.200	128	24	6.4/4.8	617
VXLF 2.250	168	24	8.6/6.4	551
VXLF 2.250 SK	174	27	12.5/9.3	569
VXLF 400	264	24	16.8/12.5	1092
VXLF 500 SK	353	22.5	22.1/16.5	1103

4

Rotary Vane Oil-less Vacuum Pumps



- 100% Oil-less operation
- Quiet
- Cool operation
- Long vane life
- Inlet filters included
- Discharge silencers
- Direct drive
- Vacuum regulators included
- Minimal maintenance
- Continuous duty rated



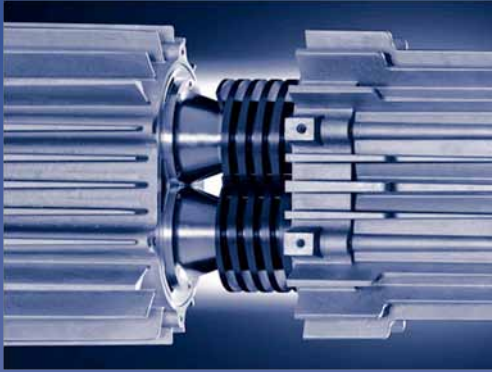
DRY



MODEL	CFM Open Flow	Max. Cont. Vacuum (in. Hg)	HP/kW	Wt. (lbs.)
VT 4.4	2.8	25.5	0.3/0.21	15
VT 4.8	5.4	25.5	0.6/0.44	25
VT 4.10	7.1	25.5	0.6/0.44	35
VT 4.16	11.2	25.5	0.9/0.7	50
VT 4.25	17.7	25.5	1.2/0.9	57
VT 4.40	28.2	25.5	2/1.5	85
KVT 3.60	39	27	3/2.2	152
KVT 3.80	46	27	5/3.6	178
KVT 3.100	66	27	5/3.6	230
KVT 3.140	91	24	7.5/5.6	320
VTLF 2.200	128	24	6.4/4.8	617
VTLF 2.250	168	24	8.6/6.4	551
VTLF 2.250 SK	174	27	12.5/9.3	573
VTLF 2.360	237	22.5	17.7/13.2	569
VTLF 400	265	24	16.8/12.5	1092
VTLF 500 SK	353	22.5	22.1/16.5	1103

6

VADS Dry Screw Vacuum Pumps and Compressors



- Continuous operation at 0.4 Torr
- High volume flow at low absolute pressure
- Ultimate pressure reached quickly
- Cyclical operation possible
- Long service intervals
- Minimal and easy maintenance
- Low cost of ownership
- Environmentally friendly

DRY

	MODEL	CFM Range Open Flow	Ult. Pressure (Torr)	HP/kW	Wt. (lbs.)
Vacuum	VADS 250	87-174	≤0.4	4-10/3-7.5	616



- Dry operation
- Direct drive - No drive transmission
- Variable speed controlled
- 2:1 speed regulation
- Sound enclosure standard

DRY

	MODEL	CFM Range Open Flow	Max. Vac. (In. Hg)	Max. Pr. (PSIG)	HP/kW	Wt. (lbs.)
Vacuum	VADS 1500	460-840	24	—	50/38	2318
Pressure	VADS 1500	460-840	—	15	60/45	2318

VARIAIR