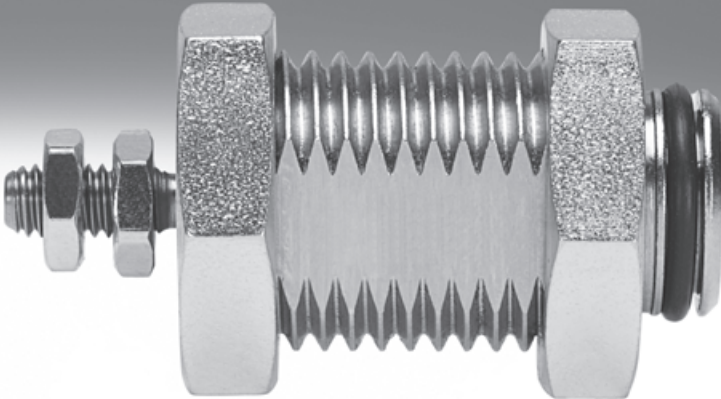
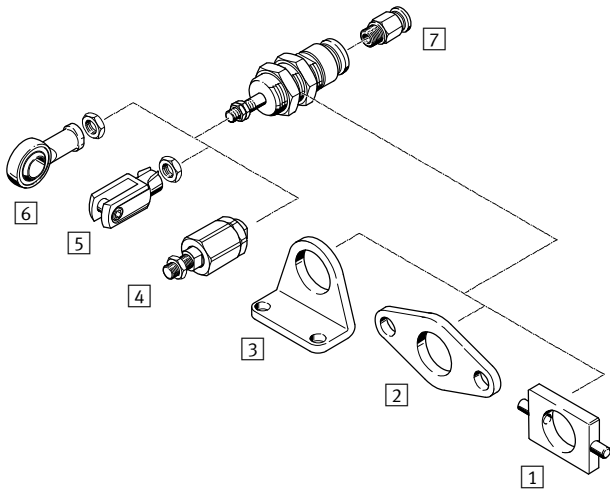


Cartridge cylinders EGZ

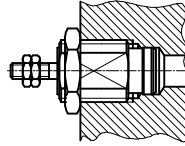


Cartridge cylinders EGZ

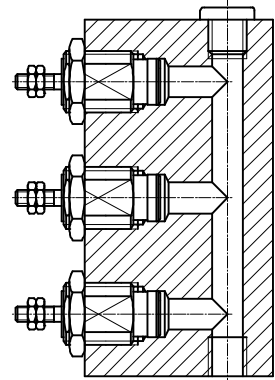
Peripherals overview and type codes



Installation without mounting attachments



Minimal installation space required



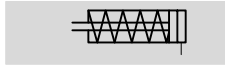
Mounting attachments and accessories					
	Description	Piston Ø 6 mm	Piston Ø 10 mm	Piston Ø 16 mm	→ Page/Internet
1	Swivel mounting WBN	–	■	■	6
2	Flange mounting FBN	–	■	■	5
3	Foot mounting HBN	–	■	■	5
4	Self-aligning rod coupler FK	–	■	■	6
5	Rod clevis SG	–	■	–	6
6	Rod eye SGS	–	■	–	6
7	Push-in fitting QS	■	■	■	qs

EGZ		–	16	–	10
Type					
Single acting, pushing					
EGZ	Cartridge cylinder				
Piston Ø [mm]					
Stroke [mm]					

Cartridge cylinders EGZ

Technical data

Function



- \varnothing - Diameter
6 ... 16 mm
- | - Stroke length
5 ... 15 mm



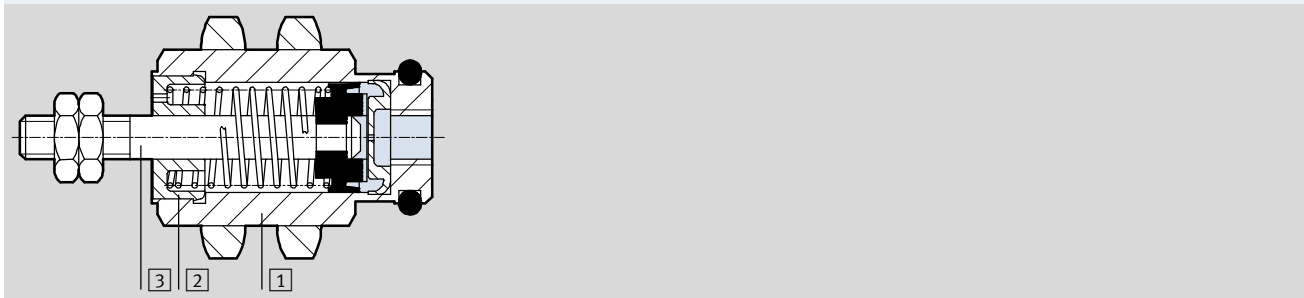
General technical data			
Piston \varnothing	6	10	16
Pneumatic connection	M3	M5	M5
End of piston rod Male thread	M3	M4	M5
Operating medium	Compressed air in accordance with ISO 8573-1:2010 [7:--:-]		
Constructional design	Piston Piston rod		
Cushioning	None		
Position sensing	None		
Type of mounting	With lock nut With accessories		
Mounting position	Any		

Operating and environmental conditions			
Piston \varnothing	6	10	16
Operating pressure [bar]	2 ... 8		
Ambient temperature [°C]	-20 ... +80		

Forces and permitted applied load [N]									
Piston \varnothing	6			10			16		
Stroke	5	10	15	5	10	15	5	10	15
Theoretical force at 6 bar, advancing	14			42			109		
Spring return force	1.5	2.1	1.6	4	3.5	3	10	8.8	7.5
Maximum applied load at the piston rod	0.10			0.15			0.20		

Materials

Sectional view



Cylinder	
1 Housing	Brass, nickel-plated
2 Cover	Polyacetal
3 Piston rod	High-alloy steel
- Note on materials	Conforms to RoHS

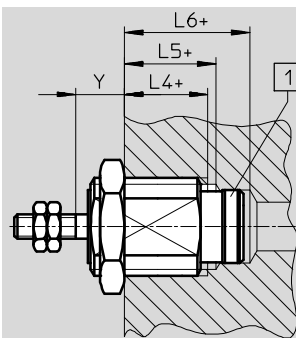
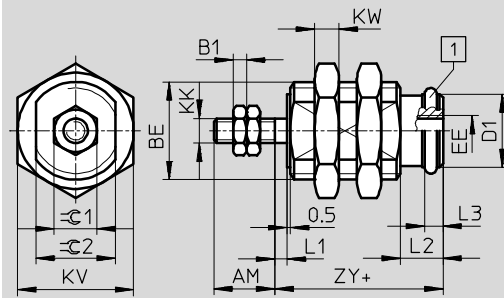
Cartridge cylinders EGZ

Technical data

FESTO

Dimensions

Download CAD data → www.festo.com



1 O-ring
+ = plus stroke length

∅	AM	B1	BE	D1 ∅ H7/f8	EE	KK	KV h13	KW	L1	L2	L3
6 ¹⁾	7	1.8	M10x1	7.6	M3	M3	13	3.5	1.5	6	2.4
6 ²⁾											
10	10	2.2	M16x1.5	12	M5	M4	19	4	2	7	3
16	12	2.7	M22x1.5	18.5	M5	M5	27	5	2	9	3.5

∅	L4	L5	L6	Y		ZY	≈C1 h13	≈C2 h13
	-Y +1	-Y -1	-Y +1	min.	max. + stroke			
6 ¹⁾	9	11	15.5	6	5	15	5.5	8
6 ²⁾	11	13	17.5	6	7	17		
10	11	13	18.5	7	6	17.5	7	13
16	13	16	21	8	6	20.5	8	19

- 1) 5 mm stroke
2) 10 and 15 mm stroke

Ordering data¹⁾

Stroke [mm]	Part No.	Type	Stroke [mm]	Part No.	Type
Piston ∅ 6 mm			Piston ∅ 10 mm		
5	15033	EGZ-6-5	5	15036	EGZ-10-5
10	15034	EGZ-6-10	10	15037	EGZ-10-10
15	15035	EGZ-6-15	15	15038	EGZ-10-15
Piston ∅ 16 mm					
5	15039	EGZ-16-5			
10	15040	EGZ-16-10			
15	15041	EGZ-16-15			

1) Two hex nuts each for the male cylinder thread and for the piston thread are included in the scope of delivery.

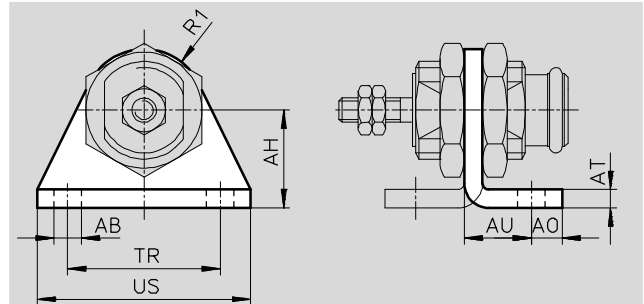
Cartridge cylinders EGZ

Accessories



Foot mounting HBN for piston \varnothing 10, 16 mm

Material:
Steel
Free of copper and PTFE
RoHS-compliant

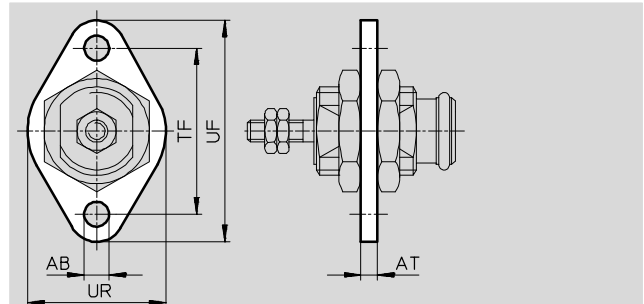


Dimensions and ordering data													
For \varnothing	Minimum stroke lengths	AB \varnothing	AH	AO	AT	AU	R1	TR	US	CRC ¹⁾	Weight [g]	Part No.	Type
10	5	5.5	20	6	4	14	13	32	42	1	43	5125	HBN-12/16X1
16	7	6.6	25	8	5	17	20	40	54	1	95	5127	HBN-20/25X1

1) Corrosion resistance class CRC 1 to Festo standard FN 940070
Low corrosion stress. For dry indoor applications or transport and storage protection. Also applies to parts behind covers, in the non-visible interior area, and parts which are covered in the application (e.g. drive trunnions).

Flange mounting FBN for piston \varnothing 10, 16 mm

Material:
Steel
Free of copper and PTFE



Dimensions and ordering data										
For \varnothing	Minimum stroke lengths	AB \varnothing	AT	TF	UF	UR	CRC ¹⁾	Weight [g]	Part No.	Type
10	5	5.5	4	40	53	30	1	26	5130	FBN-12/16
16	7	6.6	5	50	68	40	1	52	5131	FBN-20/25

1) Corrosion resistance class CRC 1 to Festo standard FN 940070
Low corrosion stress. For dry indoor applications or transport and storage protection. Also applies to parts behind covers, in the non-visible interior area, and parts which are covered in the application (e.g. drive trunnions).

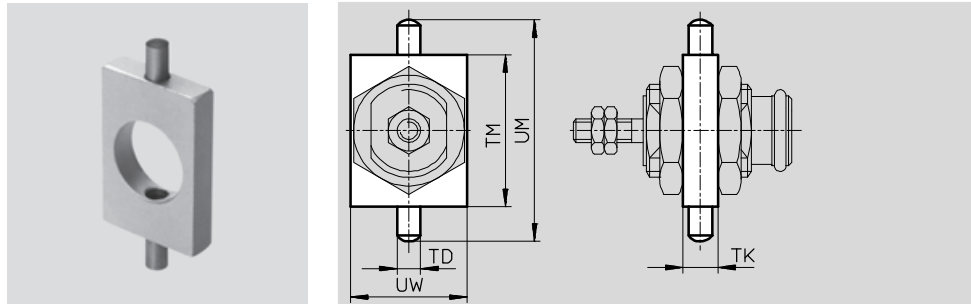
Cartridge cylinders EGZ

Accessories


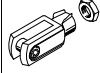
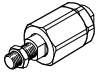
FESTO

Swivel mounting WBN for piston Ø 10, 16 mm

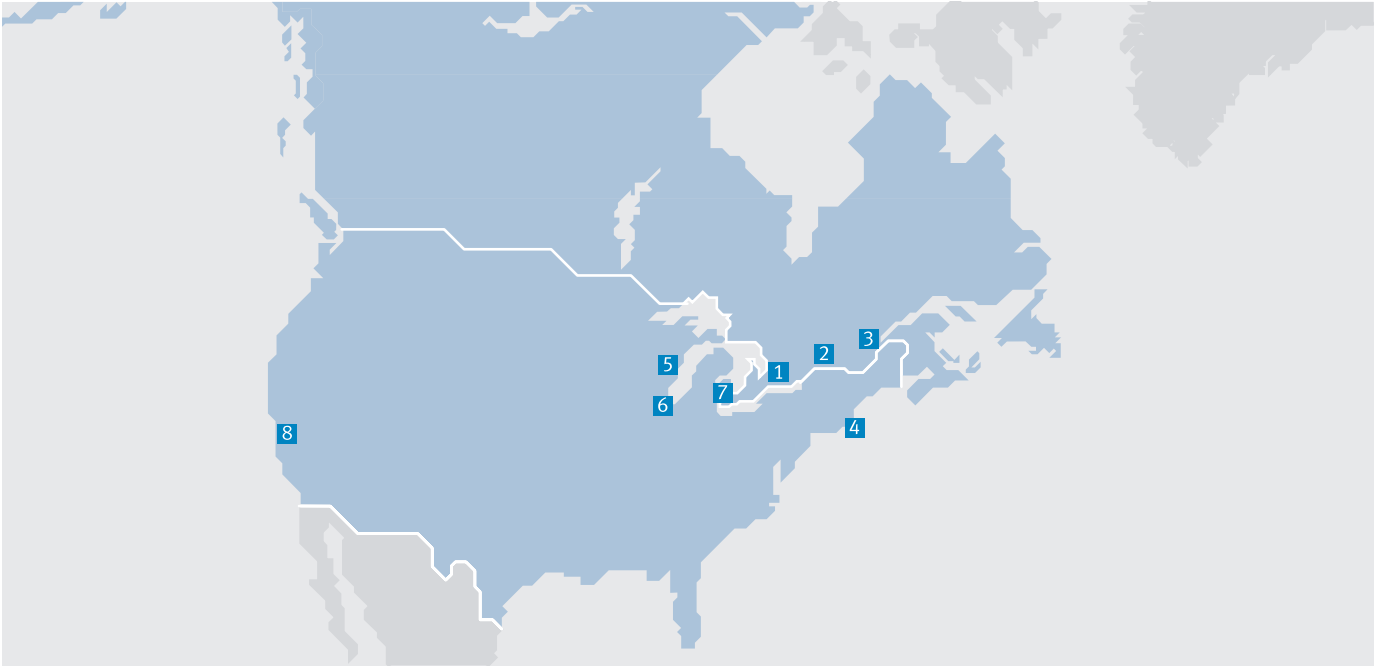
Material:
Tempered steel
Free of copper and PTFE
RoHS-compliant



Dimensions and ordering data									
For Ø	Minimum stroke lengths	TD Ø	TK	TM	UM	UW	Weight [g]	Part No.	Type
10	9	6	8	38	58	25	51	8609	WBN-12/16
16	10	6	8	46	66	30	67	8610	WBN-20/25

Ordering data – Piston rod attachments				Technical data → Internet: piston-rod attachment			
Designation	For Ø	Part No.	Type	Designation	For Ø	Part No.	Type
Rod eye SGS				Rod clevis SG			
	10	9253	SGS-M4		10	6532	SG-M4
Self-aligning rod coupler FK							
	10	6528	FK-M4				
	16	30984	FK-M5				

Festo North America



**1 Festo Canada
Headquarters
Festo Inc.**
5300 Explorer Drive
Mississauga, ON
L4W 5G4

2 Montréal
5600, Trans-Canada
Pointe-Claire, QC
H9R 1B6

3 Québec City
2930, rue Watt#117
Québec, QC
G1X 4G3



**4 Festo United States
Headquarters
Festo Corporation**
395 Moreland Road
Hauppauge, NY
11788

5 Appleton
North 922 Tower View Drive, Suite N
Greenville, WI
54942

7 Detroit
1441 West Long Lake Road
Troy, MI
48098

6 Chicago
85 W Algonquin - Suite 340
Arlington Heights, IL
60005

8 Silicon Valley
4935 Southfront Road, Suite F
Livermore, CA
94550

Festo Regional Contact Center

Canadian Customers

Commercial Support:
Tel: 1 877 GO FESTO (1 877 463 3786)
Fax: 1 877 FX FESTO (1 877 393 3786)
Email: festo.canada@ca.festo.com

Technical Support:
Tel: 1 866 GO FESTO (1 866 463 3786)
Fax: 1 877 FX FESTO (1 877 393 3786)
Email: technical.support@ca.festo.com

USA Customers

Commercial Support:
Tel: 1 800 99 FESTO (1 800 993 3786)
Fax: 1 800 96 FESTO (1 800 963 3786)
Email: customer.service@us.festo.com

Technical Support:
Tel: 1 866 GO FESTO (1 866 463 3786)
Fax: 1 800 96 FESTO (1 800 963 3786)
Email: product.support@us.festo.com

Subject to change

Internet: www.festo.com/us